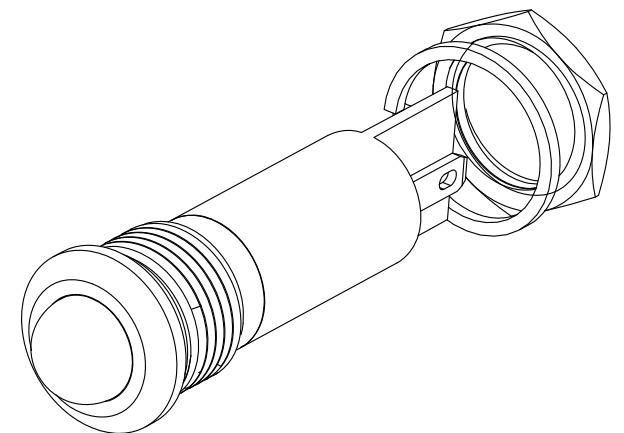
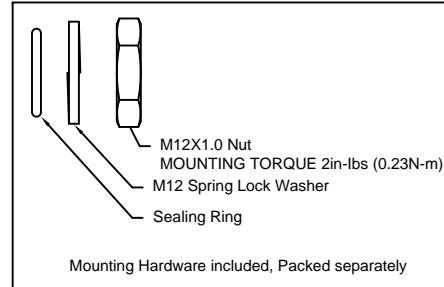
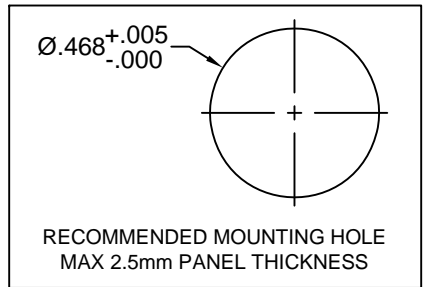
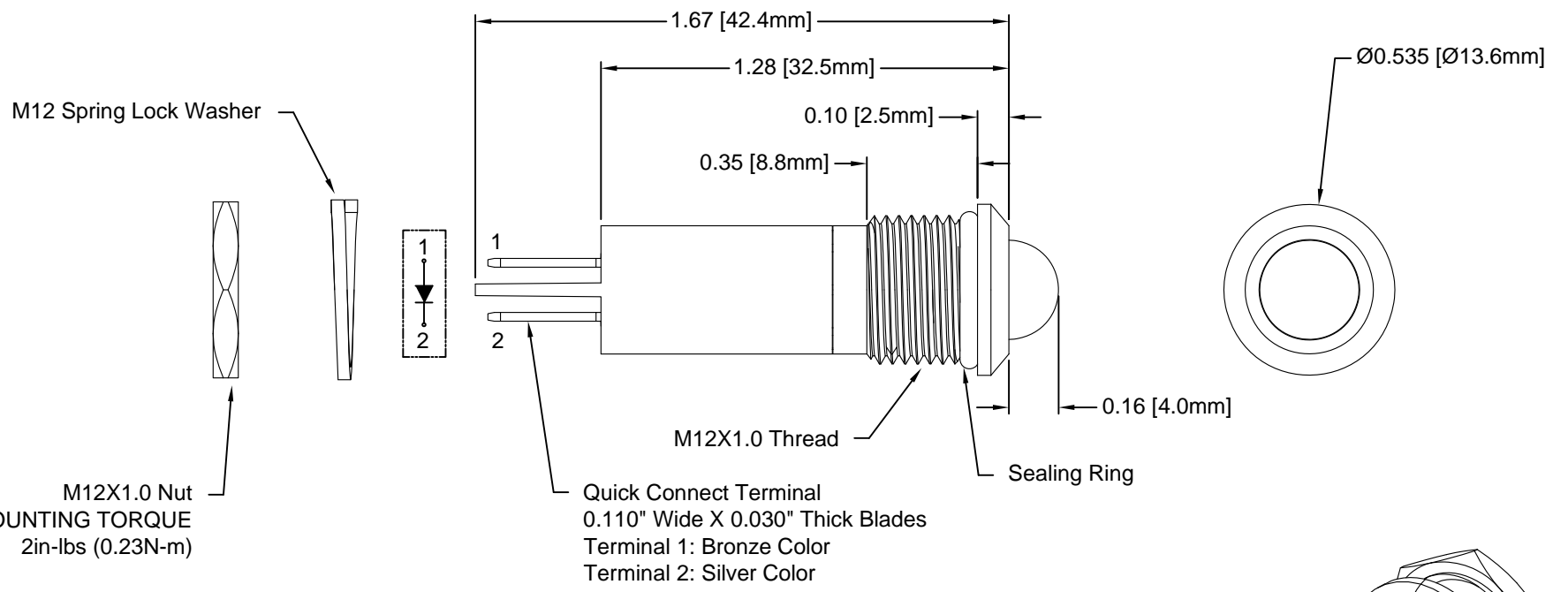


REV.	DESCRIPTION	DATE	APPROVED
A	Engineering Release	08/14/14	J. C.
B	Engineering Update w/o Changes	08/11/16	J. C.



- NOTES:**
1. SEALED TO IP54 RATING
 2. VOLTAGE INPUT OPTIONS: 12V/24V/110V/220V
 3. ROHS COMPLIANT
 4. MOUNTING HARDWARE PACKED SEPARATELY NON-ASSEMBLED
 5. INSERT SEALING RING ON PANEL MOUNT ASSEMBLY PRIOR TO PANEL INSTALLATION


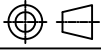
STANDARD TOLERANCE (UNLESS OTHERWISE SPECIFIED)		BIVAR®	
DECIMALS	ANGULAR	4 THOMAS, IRVINE, CA. 92618	
.X ± .1	X° ± 1°	TEL: (949) 951-8808 FAX: (949) 951-3974	
.XX ± .02		TITLE: MPC12-2 SERIES, IP54 RATED PANEL MOUNT INDICATOR	
.XXX ± .010		PART NO: MPC12-2XDXXV	REVISION: B
DESIGNED: M. Doan	DATE: 08/14/14	CAGE CODE : 32559	SHEET # 1 OF 2
CHECKED: B. Oliver	DATE: 08/14/14	CAD GENERATED DOCUMENT. DO NOT MEASURE DRAWING.	

REV.	DESCRIPTION	DATE	APPROVED
	SEE SHEET #1		

Part Number	Dominant Wave Length λ_d (nm)	Emitted Color	Lens Appearance	Voltage	Luminous Intensity (mcd)	Viewing Angle (degree)
MPC12-2RD12V	625	Red	Diffused	12V	415	45
MPC12-2GD12V	525	Green	Diffused	12V	1880	45
MPC12-2YD12V	590	Yellow	Diffused	12V	415	45
MPC12-2BWD12V	470	Blue	Diffused	12V	835	45
MPC12-2WD12V	x=0.36, y=0.32	White	Diffused	12V	7315	45
MPC12-2RD24V	625	Red	Diffused	24V	415	45
MPC12-2GD24V	525	Green	Diffused	24V	1880	45
MPC12-2YD24V	590	Yellow	Diffused	24V	415	45
MPC12-2BWD24V	470	Blue	Diffused	24V	835	45
MPC12-2WD24V	x=0.36, y=0.32	White	Diffused	24V	7315	45
MPC12-2RD110V	625	Red	Diffused	110V	20	45
MPC12-2GD110V	525	Green	Diffused	110V	205	45
MPC12-2YD110V	590	Yellow	Diffused	110V	20	45
MPC12-2BWD110V	470	Blue	Diffused	110V	70	45
MPC12-2WD110V	x=0.36, y=0.32	White	Diffused	110V	250	45
MPC12-2RD220V	625	Red	Diffused	220V	10	45
MPC12-2GD220V	525	Green	Diffused	220V	100	45
MPC12-2YD220V	590	Yellow	Diffused	220V	10	45
MPC12-2BWD220V	470	Blue	Diffused	220V	35	45
MPC12-2WD220V	x=0.36, y=0.32	White	Diffused	220V	125	45

ABSOLUTE MAXIMUM RATINGS (Ta = 25°C)

POWER INPUT _____ 0.5W MAX
 OPERATING TEMPERATURE RANGE _____ -40°C ~ 80°C
 STORAGE TEMPERATURE _____ -40°C ~ 80°C
 TERMINAL SOLDERING TEMPERATURE _____ 260°C, 5s

STANDARD TOLERANCE (UNLESS OTHERWISE SPECIFIED) DECIMALS ANGULAR		 4 THOMAS, IRVINE, CA. 92618 TEL: (949) 951-8808 FAX: (949) 951-3974	
			
DESIGNED: M. Doan	DATE: 08/14/14	TITLE: MPC12-2 SERIES, IP54 RATED PANEL MOUNT INDICATOR	
CHECKED: B. Oliver	DATE: 08/14/14	PART NO: MPC12-2XDXXV	REVISION: B
		CAGE CODE : 32559	SHEET # 2 OF 2
CAD GENERATED DOCUMENT. DO NOT MEASURE DRAWING.			

Mouser Electronics

Authorized Distributor

Click to View Pricing, Inventory, Delivery & Lifecycle Information:

BIVAR:

[MPC12-2YD220V](#) [MPC12-2RD110V](#) [MPC12-2YD110V](#) [MPC12-2WD12V](#) [MPC12-2BWD24V](#) [MPC12-2WD110V](#)
[MPC12-2GD24V](#) [MPC12-2BWD220V](#) [MPC12-2YD12V](#) [MPC12-2BWD12V](#) [MPC12-2RD12V](#) [MPC12-2WD220V](#)
[MPC12-2GD12V](#) [MPC12-2GD110V](#) [MPC12-2RD24V](#) [MPC12-2WD24V](#) [MPC12-2RD220V](#) [MPC12-2GD220V](#)
[MPC12-2BWD110V](#) [MPC12-2YD24V](#)