

**Industrial Ethernet
IE-FCM-RJ45-FJ-A**

Weidmüller Interface GmbH & Co. KG
Klingenbergstraße 16
D-32758 Detmold
Germany
Fon: +49 5231 14-0
Fax: +49 5231 14-292083
www.weidmueller.com



Service interface FrontCom[®] Micro with RJ45 in IP65

General ordering data

Type	IE-FCM-RJ45-FJ-A
Order No.	1018810000
Version	FrontCom Micro RJ45 module, TIA-568A
GTIN (EAN)	4032248730063
Qty.	10 pc(s).

Industrial Ethernet IE-FCM-RJ45-FJ-A

Weidmüller Interface GmbH & Co. KG
 Klingenbergstraße 16
 D-32758 Detmold
 Germany
 Fon: +49 5231 14-0
 Fax: +49 5231 14-292083
 www.weidmueller.com

Technische Daten

Dimensions and weights

Wall thickness, max.	3 mm	Wall thickness, min.	1 mm
Net weight	34.06 g		

Temperatures

Operating temperature	-40 °C...70 °C	Storage temperature	
Installation temperature			

Downloads

Installation video	STEADYTEC® assembly instruction RJ45 field attachable module_EN_HD.mp4	UL Approval	DUXR.E316369.pdf
--------------------	--	-------------	------------------

General data

Category	Cat.6A / Class EA (ISO/IEC 11801 2010)	Colour	Black
Connection 1	RJ45	Connection 2	IDC
Contact surface	Gold over nickel	Description of article	FrontCom Micro RJ45 module
Housing main material	PA UL 94 V0	Insulation cross-section, max.	1.6 mm
Plugging cycles	750	Protection degree	IP 65 according to DIN EN 60529
Sheath diameter, max.	10 mm	Sheath diameter, min.	5.5 mm
Shielding	360° shield contact	Type of mounting	Cabinet, Distribution box
Wire connection diameter, flexible, max.	0.76 mm	Wire connection diameter, flexible, min.	0.48 mm
Wire connection diameter, solid, max.	0.64 mm	Wire connection diameter, solid, min.	0.4 mm
Wire cross-section, finely stranded, max. (AWG)	AWG 22	Wire cross-section, finely stranded, min. (AWG)	AWG 26
Wiring	TIA-568A		

Electrical properties

PoE / PoE+	conforming to IEEE 802.3af
------------	----------------------------


Standards

Connector standard	IEC 60603-7-5 1	Certificate no. (cULus)	E316369
--------------------	-----------------	-------------------------	---------

Classifications

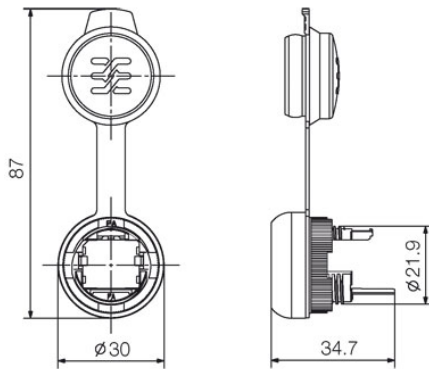
ETIM 3.0	EC001134	eClass 5.1	27-25-05-04
eClass 6.2	27-25-05-04	eClass 7.1	27-25-05-04

Approvals

Approvals	
ROHS	Conform

**Industrial Ethernet
IE-FCM-RJ45-FJ-A**

Weidmüller Interface GmbH & Co. KG
Klingenbergstraße 16
D-32758 Detmold
Germany
Fon: +49 5231 14-0
Fax: +49 5231 14-292083
www.weidmueller.com

Zeichnungen**Dimensioned drawing****Installation cut-out**