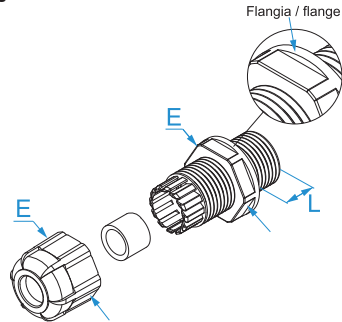


**Product family:** Nylon cable glands - PG thread  
**Item code:** 4907, 49071, 4909, 49091, 4911, 49111, 4913, 49131, 4916, 49161, 4921, 49211, 4929, 49291, 4936, 49361  
**Description:** NYLON CABLE GLANDS · PG THREAD · IP68 · WITH FLANGE

**Image**



**Technical drawing**



**Features**

Cable glands with UL certification.  
 When installing the cable gland on panels with through hole, you need to use the 48xx nuts to preserve UL certification.

**Specifications**

**MATERIAL:** polyamide (PA 6.6), self-extinguishing according to UL 94 V2 and IEC 695-2-1 (850 °C)  
**OPERATING TEMPERATURE:** from -20 °C to +90 °C  
**INNER GASKET:** NBR (nitrile rubber), 60 Shore A  
**ACCORDING TO STD.:** EN 62444:2013  
**ASSEMBLY:** no gasket needed; tighten on a flat and smooth surface.

Code	Color	PG thread size (DIN40430)	Ø cable (mm)	L (mm)	E wrench (nut)	
4907**	Grey RAL 7035	PG 7	3 - 6,5	8	15	50/50
49071**	Black RAL 9005	PG 7	3 - 6,5	8	15	
4909**	Grey RAL 7035	PG 9	4 - 8	8	19	50/50
49091**	Black RAL 9005	PG 9	4 - 8	8	19	
4911**	Grey RAL 7035	PG 11	5 - 10	8	22	50/50
49111**	Black RAL 9005	PG 11	5 - 10	8	22	
4913*	Grey RAL 7035	PG 13.5	6 - 12	10	24	50/50
49131*	Black RAL 9005	PG 13.5	6 - 12	10	24	
4916*	Grey RAL 7035	PG 16	10 - 14	10	27	50/50
49161*	Black RAL 9005	PG 16	10 - 14	10	27	
4921*	Grey RAL 7035	PG 21	13 - 18	11	33	25/25
49211*	Black RAL 9005	PG 21	13 - 18	11	33	
4929	Grey RAL 7035	PG 29	18 - 25	11	42	20/20
49291	Black RAL 9005	PG 29	18 - 25	11	42	
4936*	Grey RAL 7035	PG 36	22 - 32	13	53	10/10
49361*	Black RAL 9005	PG 36	22 - 32	13	53	



\* file n° E171361



\*\* file n° E171361

