

**■ Description**

This LED is built with two different or same color LEDs. It builds with resistors to operate with wide operation voltage of DC3-15V.

**■ Features**

- Wide Input Voltage
- Cost Saving and Space Saving
- White Diffused type
- Bi-color Common Cathode Type

**■ Applications**

- Toys/Game/Audio
- TTL/Cmos Compatible
- Arduino/Pi Pico/Steam Kit
- Other Electronics Products

**■ Absolute Maximum Rating**

(Ta=25°C)

Item	Symbol	Value	Unit
DC Forward Voltage	V <sub>F</sub>	15	V
Reverse Voltage	V <sub>R</sub>	12	V
Power Dissipation	P <sub>D</sub>	190	mW
Operating Temperature	T <sub>opr</sub>	-30 ~ +85	°C
Storage Temperature	T <sub>stg</sub>	-40 ~ +100	°C
Lead Soldering Temperature	T <sub>sol</sub>	260°C/5sec	-

**■ Electrical -Optical Characteristics** (Ta=25°C)

Color	I <sub>F</sub> (mA)			I <sub>v</sub> (mcd)*			λD(nm)/CCT(K)*			θ1/2(deg)
	Min.	Typ.	Max.	Min.	Typ.	Max.	Min.	Typ.	Max.	
V <sub>F</sub> =9V										
Red	-	7.5	-	-	150	-	620	625	630	60
Yellow	-	7.5	-	-	150	-	585	590	595	
Blue	-	8.0	-	-	100	-	465	470	475	
Pure Green	-	8.0	-	-	400	-	520	525	530	
Cool White	-	8.0	-	-	400	-	CCT:8500-18000K			
Warm White	-	8.0	-	-	400	-	CCT:2700-3300K			

**■ Part Number**

Color	Red	Yellow	Pure Green	Blue
Red	OSRRMC8162A-VV	OSRYMC8162A-VV	OSRPMC8162A-VV	OSRBMC8162A-VV
Yellow	OSRYMC8162A-VV	OSYYMC8162A-VV	OSYPMC8162A-VV	OSYBMC8162A-VV
Pure Green	OSRPMC8162A-VV	OSYPMC8162A-VV	OSPPDC8162A-VV	OSPBDC8162A-VV
Blue	OSRBMC8162A-VV	OSYBMC8162A-VV	OSPBDC8162A-VV	OSBBDC8162A-VV
Cool White	OSRWMC8162A-VV	OSYWMC8162A-VV	OSPWDC8162A-VV	OSBWDC8162A-VV
Warm White	OSRMMC8162A-VV	OSYMMC8162A-VV	OSPMDC8162A-VV	OSBMDC8162A-VV

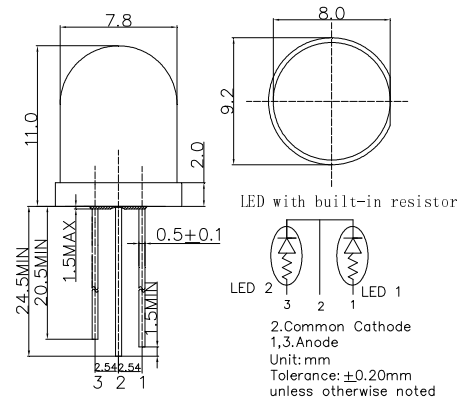
\*1 Tolerance of measurements of chromaticity coordinates is ±10%

\*2 Tolerance of measurements of dominant wavelength is ±1nm

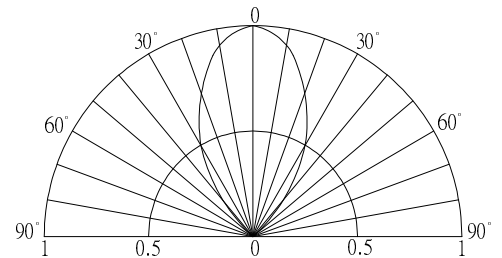
\*3 Tolerance of measurements of luminous intensity is ±15%

\*4 Tolerance of measurements of forward voltage is ±0.1V

**■ Outline Dimension**



**■ Directivity**



**■ Optical Characteristic Curves**

