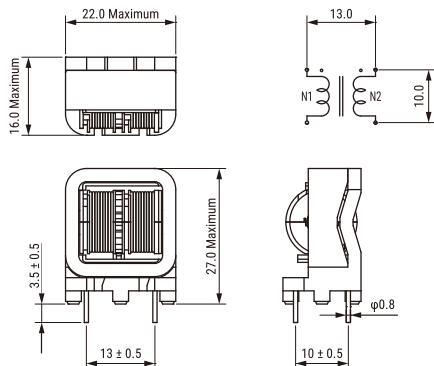


**KEMET Part Number: SSR21NV-M10475**  
(UALM21V1047500)

KEMET, SSR21NV-M/NH-M, AC Line Filters, Common Mode, 0.0475 H



**Dimensions**

<b>L</b>	22mm MAX
<b>T</b>	16mm MAX
<b>H</b>	27mm MAX
<b>LL</b>	3.5mm +/-0.5mm
<b>S</b>	13mm +/-0.5mm

**Packaging Specifications**

<b>Packaging:</b>	Tray
<b>Packaging Quantity:</b>	450
<b>Weight:</b>	14.5 g

**General Information**

<b>Series:</b>	SSR21NV-M/NH-M
<b>Style:</b>	Through-Hole
<b>Features:</b>	High Performance, High Impedance, Strong Inductance
<b>RoHS:</b>	Yes
<b>Miscellaneous:</b>	65 (K) Temperature Rise Max.

**Specifications**

<b>Voltage AC:</b>	250 VAC
<b>Inductance:</b>	47.5 mH (10 kHz)
<b>Current:</b>	1 A
<b>Temperature Range:</b>	-25/+120°C
<b>DC Resistance:</b>	580 mOhms