



ROLLER UNITS GUIDE

rspro.com



RS PRO Roller Units

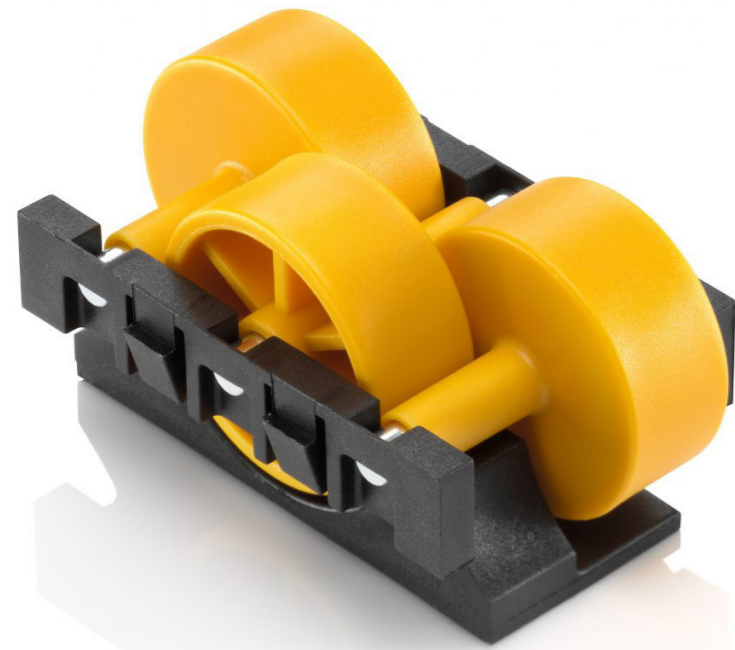
RS PRO offers a range of different transport units and accessories for aluminium roller track profiles. A simple modular system developed for flexible application design with the benefit of the units into aluminium profiles being easily completed from above just by clicking them in. No special tools nor long assembly times are needed. With a choice between different rollers, ball rollers, brush, and slide units, you can freely combine to your needs.

Different roller shapes are available for different applications, each designed to meet special requirements regarding running smoothness, centre distance and load capacity and are available in four colours and as ESD versions.

The roller tracks and accessories are compatible with the aluminium profile system from RS PRO and is also interchangeable with the global leading brand ITEM.

The range supports Prototype engineers, Machine builders and Maintenance Engineers, with a cost-effective range of products.

Once installed this RS PRO modular system can be easily disassembled and reused for new projects. The manufacturing sites of our RS PRO roller tracks and track profiles can produce up to 70% of the needed electricity by installed photovoltaic systems. RS PRO puts the highest focus across all our manufacturers with the conscious effort to reduce our carbon footprint.



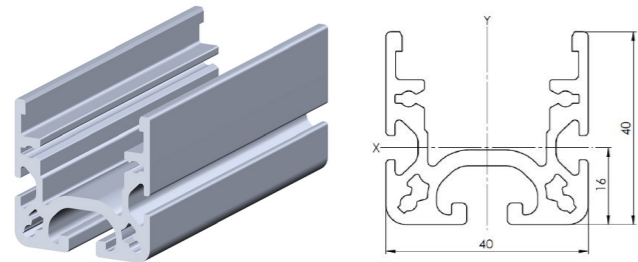
CONTENTS

ROLLER UNITS	4
ALUMINIUM CONVEYOR STRUTS 40 X 40	4
ROLLER UNITS, LENGTH 50MM, Ø 28MM	4
ROLLER UNITS, LENGTH 33MM, Ø 28MM	4
BRAKE FOR 28MM ROLLERS	4
ROLLER UNITS, LENGTH 50MM, Ø 26MM	5
BRAKE FOR 26MM ROLLERS	5
ROLLER UNITS, LENGTH 50MM, Ø 9MM	5
ESD SAFE BRUSH UNIT	5
BALL UNITS Ø 16MM	6
BACK STOP UNIT	6
SLIDE RAIL	6
TRANSITION RAMPS	6
MOUNTING PROFILES WITH OR WITHOUT END STOP	7
MOUNTING PROFILES WITH OR WITHOUT END STOP	7
MOUNTING PROFILE FOR CROSSING FRAME	7
VARIABLE HOLDING BRACKET	7
RELATED PRODUCT RANGES	8



Roller Units

Aluminium Conveyor Struts 40 x 40



Dimensions	Groove size	Length	Colour	Stock No
40 x 40mm	5mm (2x), 8mm (1x)	1m	silver	850-8498
40 x 40mm	5mm (2x), 8mm (1x)	2m	silver	850-8495

Roller Units, Length 50mm, Ø 28mm

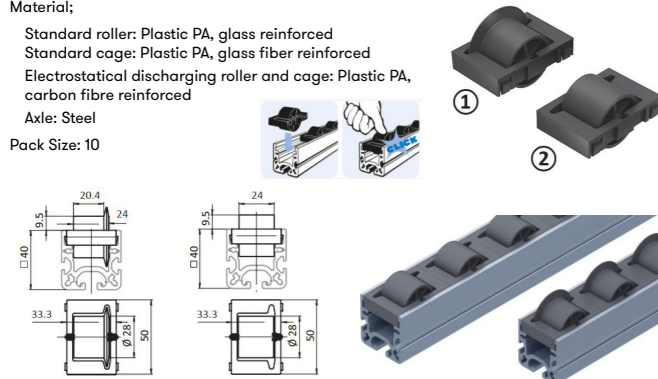
A resilient and smooth 28mm roller unit for RS PRO conveyor struts, optionally without or with flange as lateral guiding, completely preassembled.

Material:

Standard roller: Plastic PA, glass reinforced
Standard cage: Plastic PA, glass fiber reinforced
Electrostatical discharging roller and cage: Plastic PA, carbon fibre reinforced

Axle: Steel

Pack Size: 10



Max Load	Colour of cage	Colour of roller	Guiding flange	ESD safe	Weight (g)	Stock No
150N	Black	Black	x	x	19	229-9179
125N	Black	Black	x	✓	16.5	229-9181
150N	Black	Black	✓	x	20	229-9186
125N	Black	Black	✓	✓	17.5	229-9187
150N	Black	Green - RAL 6032	x	x	19	229-9175
150N	Black	Green - RAL 6032	✓	x	20	229-9184
150N	Grey - RAL 7042	Grey - RAL 7042	x	x	19	229-9177
150N	Grey - RAL 7042	Grey - RAL 7042	✓	x	20	229-9185
150N	Black	Red - RAL 3020	x	x	19	229-9172
150N	Black	Red - RAL 3020	✓	x	20	229-9183
150N	Black	Yellow - RAL 1003	x	x	19	229-9170
150N	Black	Yellow - RAL 1003	✓	x	20	229-9182

Roller Units, Length 33mm, Ø 28mm

A resilient and smooth 28mm roller unit for RS PRO conveyor struts, reduced center distance due to 33mm cage, completely preassembled.

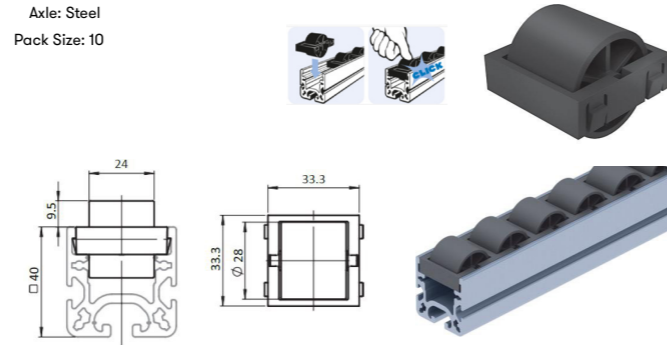
Material:

Standard roller: Plastic PA, glass reinforced
Standard cage: Plastic PA, glass fiber reinforced

Electrostatical discharging roller and cage: Plastic PA, carbon fibre reinforced

Axle: Steel

Pack Size: 10

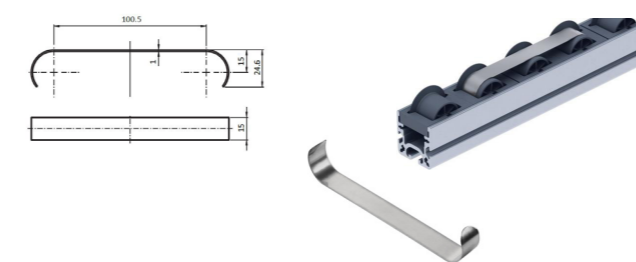


Max Load	Colour of cage	Colour of roller	Guiding flange	ESD safe	Weight (g)	Stock No
150N	Black	Black	x	x	17	229-9178
125N	Black	Black	x	✓	15	229-9180
150N	Black	Green - RAL 6032	x	x	17	229-9174
150N	Grey - RAL 7042	Grey - RAL 7042	x	x	17	229-9176
150N	Black	Red - RAL 3020	x	x	17	229-9171
150N	Black	Yellow - RAL 1003	x	x	17	229-9169

Brake for 28mm Rollers

A clip-on for 3x 28mm rollers; brakes workpieces and goods, in particular heavier ones, smoothly to give them the correct operating speed

Material: Stainless Steel



Weight (g)	Stock No
18	229-9208

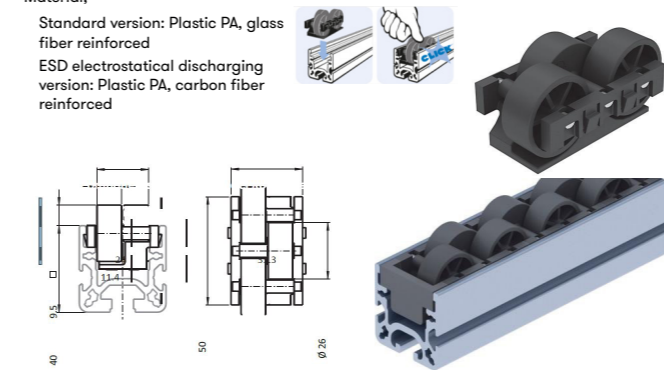
Roller Units, Length 50mm, Ø 26mm

A sturdy cage for RS PRO conveyor struts, to support 3 rollers H26 by means of axles; the end piece provides a neat finish at the end of the profile.

Material:

Standard version: Plastic PA, glass fiber reinforced

ESD electrostatical discharging version: Plastic PA, carbon fibre reinforced

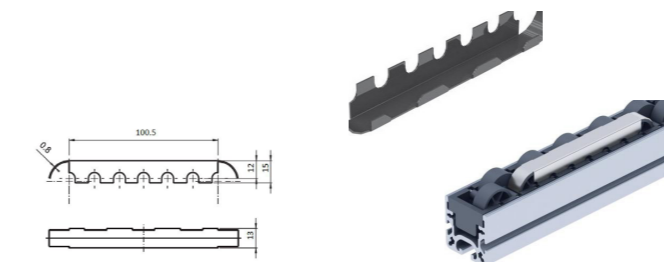


Max Load	Colour of cage	Colour of roller	Guiding flange	ESD safe	Weight (g)	Stock No
150N	Black	Black	x	x	35	229-9165
125N	Black	Black	x	✓	30.4	229-9166
150N	Black	Green - RAL 6032	x	x	35	229-9163
150N	Grey - RAL 7042	Grey - RAL 7042	x	x	35	229-9164
150N	Black	Red - RAL 3020	x	x	35	229-9162
150N	Black	Yellow - RAL 1003	x	x	35	229-9161

Brake for 26mm Rollers

A clip-on for 4x 26mm rollers; brakes workpieces and goods, in particular heavier ones, smoothly to give them the correct operating speed.

Material: Stainless Steel



Weight (g)	Stock No
18	229-9207

Roller Units, Length 50mm, Ø 9mm

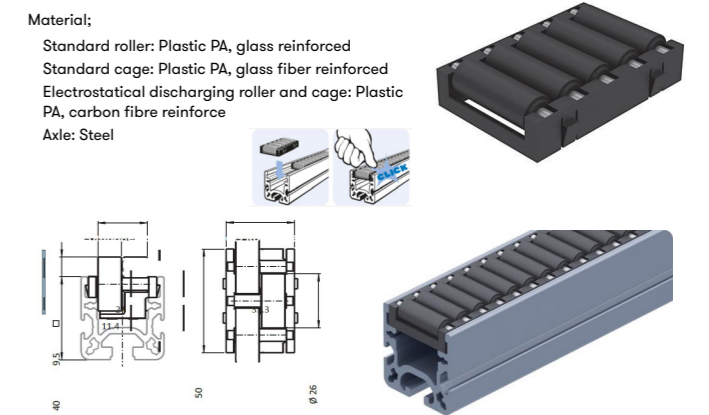
A compact 9mm roller unit for RS PRO conveyor struts, very small center distance and maximum number of axles for minimum vibrations and reduced point load on the goods; completely preassembled.

Material:

Standard roller: Plastic PA, glass reinforced
Standard cage: Plastic PA, glass fiber reinforced

Electrostatical discharging roller and cage: Plastic PA, carbon fibre reinforced

Axle: Steel



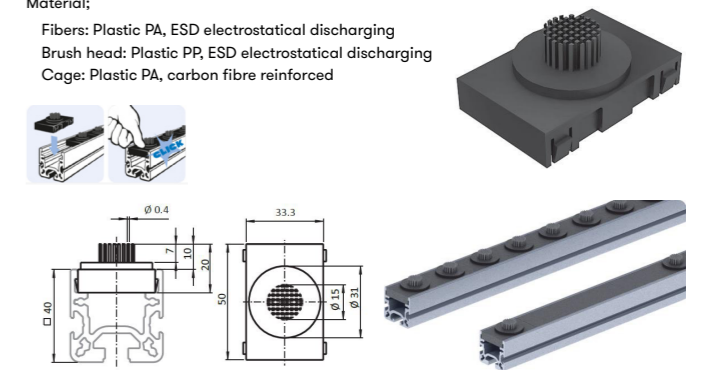
Max Load	Colour of cage	Colour of roller	Guiding flange	ESD safe	Weight (g)	Stock No
100N	Black	Black	x	x	30	229-9196
80N	Black	Black	x	✓	28	229-9197
100N	Black	Green - RAL 6032	x	x	30	229-9193
100N	Grey - RAL 7042	Grey - RAL 7042	x	x	30	229-9194
100N	Black	Red - RAL 3020	x	x	30	229-9192
100N	Black	Yellow - RAL 1003	x	x	30	229-9190

ESD Safe Brush Unit

A preassembled brush unit for RS PRO conveyor struts, with elastic brush fibers, allowing a gentle, material-protective sliding of scratch sensitive goods in two directions.

Material:

Fibers: Plastic PA, ESD electrostatical discharging
Brush head: Plastic PP, ESD electrostatical discharging
Cage: Plastic PA, carbon fibre reinforced

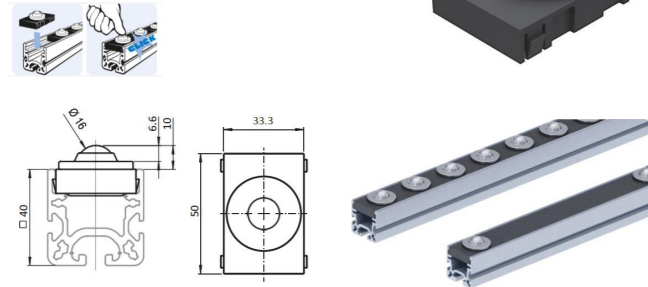


ESD safe	Weight (g)	Stock No
✓	14	229-9160

Ball Units Ø 16mm

A preassembled ball unit for RS PRO conveyor struts, with low-wear, low friction ball caster for flexible movements in two directions, for example at track switches and material locks.

Material:
Ball: Steel
Ball chassis: Steel
Cage: Plastic PA, carbon fibre reinforced

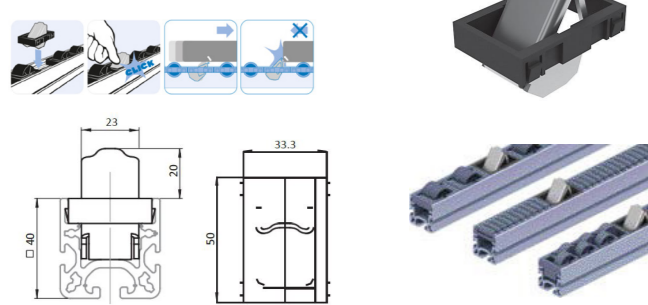


ESD safe	Weight (g)	Stock No
✓	71	229-9168

Back Stop Unit

A preassembled backstop unit for RS PRO conveyor struts, prevents goods from moving backwards on the roller track.

Material:
Backstop: Steel
Axle: Steel
Cage: Plastic PA, carbon fibre reinforced

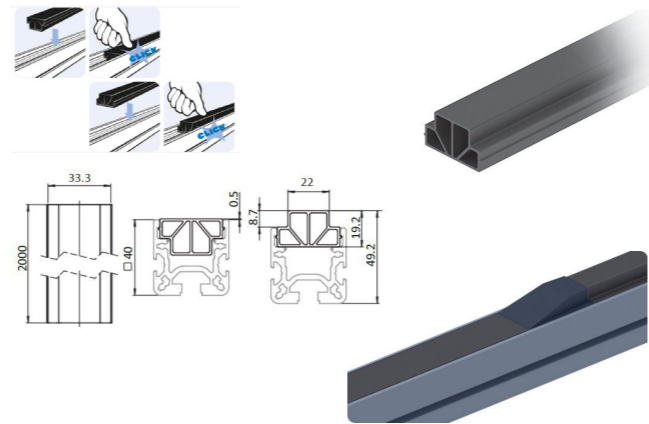


ESD safe	Weight (g)	Stock No
✓	44	229-9198

Slide Rail

Can be installed in two positions to provide different levels; low-wear slide rail for simple transport or for use on steep slopes, also suitable as cover profile and spacer between two ball and brush units.

Material: electrostatic discharging version: Plastics PE-HD, carbon fiber reinforced

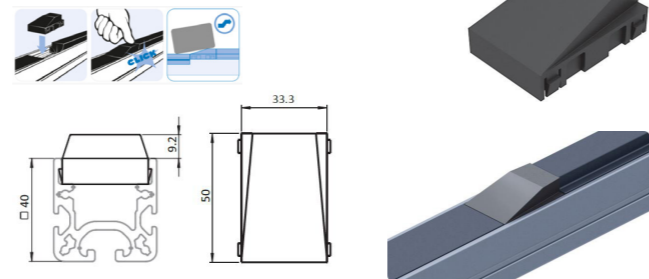


ESD safe	Max load	Length	Stock No
✓	100N	2000mm	229-9202

Transition Ramps

Provides a smooth transition between different levels; compatible with RS PRO conveyor struts but also with roller units, brush unit and ball unit.

Material:
Standard transition ramp: Plastic PA, glass fiber reinforced
ESD electrostatical discharging transition ramp: Plastic PA, carbon fibre reinforced

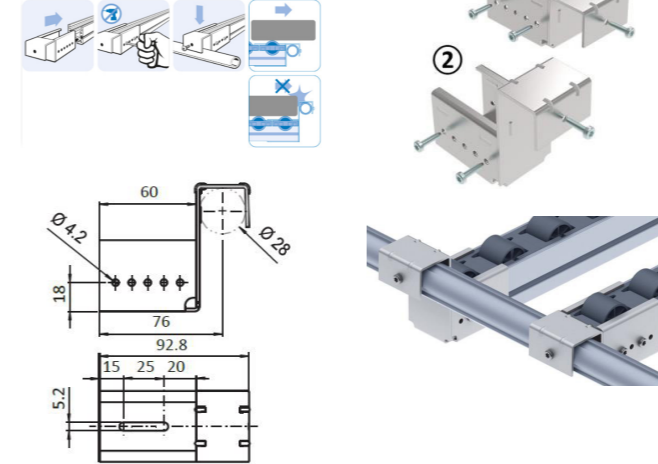


ESD safe	Weight (g)	Stock No
x	15	229-9188
✓	13	229-9191

Mounting Profiles with or without end stop

To mount RS PRO conveyor struts to tubular frame profiles with Ø 28 mm outer diameter, preventing inserts from slipping out. Supplied with assembly set.

Material: Steel

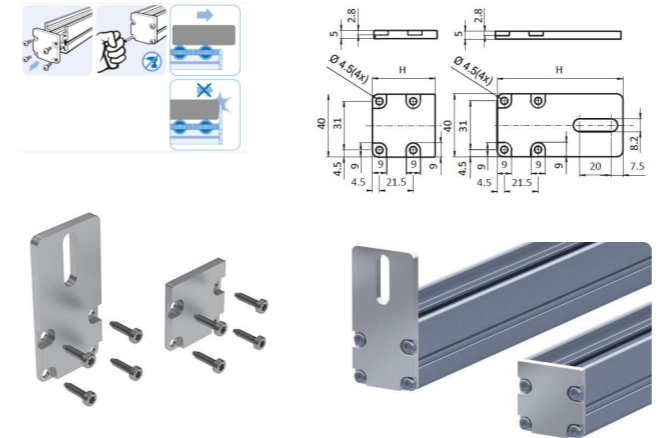


End stop	Weight (g)	Stock No
x	186	229-9199
✓	208.5	229-9200

Mounting Profiles with or without end stop

To close the end face of RS PRO conveyor struts, preventing inserts from slipping out, additionally the long version has an end stop (optionally, a buffer stop can be added). Supplied with assembly set.

Material: Steel

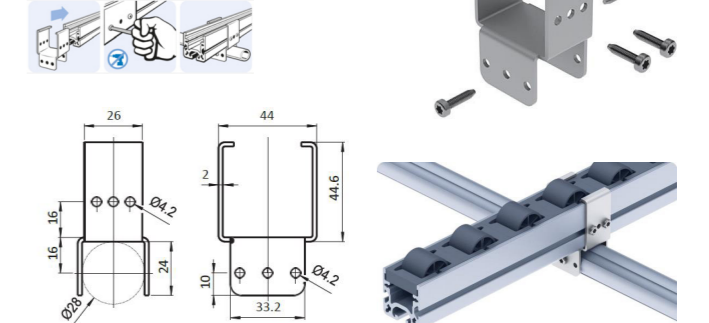


End stop	Weight (g)	Stock No
x	63	229-9203
✓	124	229-9204

Mounting Profile for Crossing Frame

To mount RS PRO conveyor struts on a crossing tubular frame profile with Ø 28 mm outer diameter. Supplied with assembly set.

Material: Steel



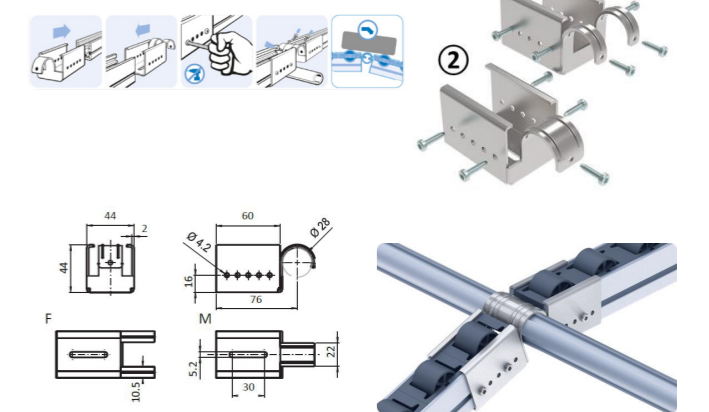
Weight (g)	Stock No
88	229-3201

Variable Holding Bracket

Transition between roller track profiles with varying inclination, to mount RS PRO conveyor struts at different angles to tubular frame profiles with Ø 28 mm outer diameter, preventing inserts from slipping out.

Material: Steel

For suitable tubular frame profiles click [here](#).



Type	Weight (g)	Stock No
1	154	229-9205
2	154	229-9206



Structural Systems

Antivibration & Levelling Components

Cable Trunking & Accessories

Screws and Bolts

Nuts and Washers

Measuring and Marking

Threading Tools

Files

Screwdrivers, Hex and Torx Keys

Spanners, Sockets and Wrenches

Tool Kits

Hand Saws

Vices

Drill Bits and Parts



RS PRO products are audited against demanding international standards, inspected for durability and consistency and tested by leading engineers.

Only when products have been through this process are they awarded our seal of approval, quality that can be trusted. Confidence in this process is reflected in our long product warranties, proof that our products will consistently deliver the quality you expect for a long time to come.



AUDITED
In compliance with industry standards



INSPECTED
By leading engineers



TESTED
For guaranteed quality and performance

