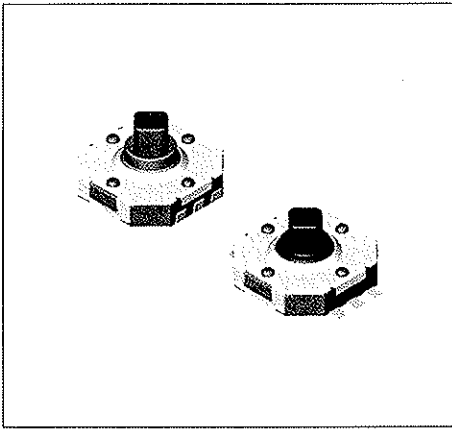
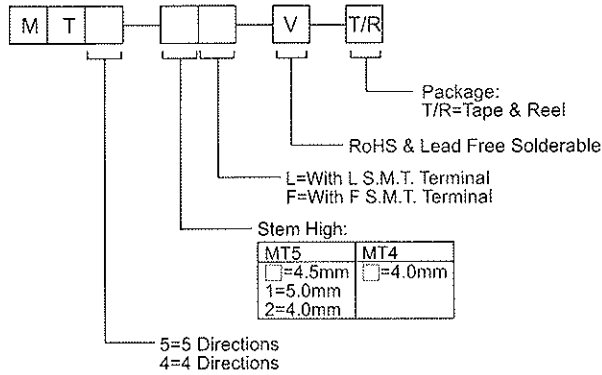


MT5, MT4 SERIES

Multi-direction Type



HOW TO ORDER



SPECIFICATION

MECHANICAL

Operation Force:
4-direction: 160gf
Center push: 320gf

Stroke:

4-direction: 5' +2.5' /- 1.5'
Center push: 0.25+0.1/- 0.2 mm

ENVIRONMENTAL

Operation Temperature Range : -25°C to +70°C
Storage Temperature Range : -40°C to +85°C

ELECTRICAL

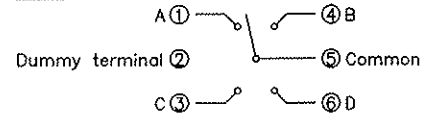
Electrical Life: 100,000 cycles.
Rating: 50mA, 12VDC

PACKAGE

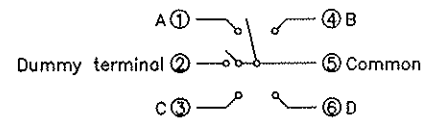
Tape & Reel : 850 pcs/reel

CIRCUIT

MT4

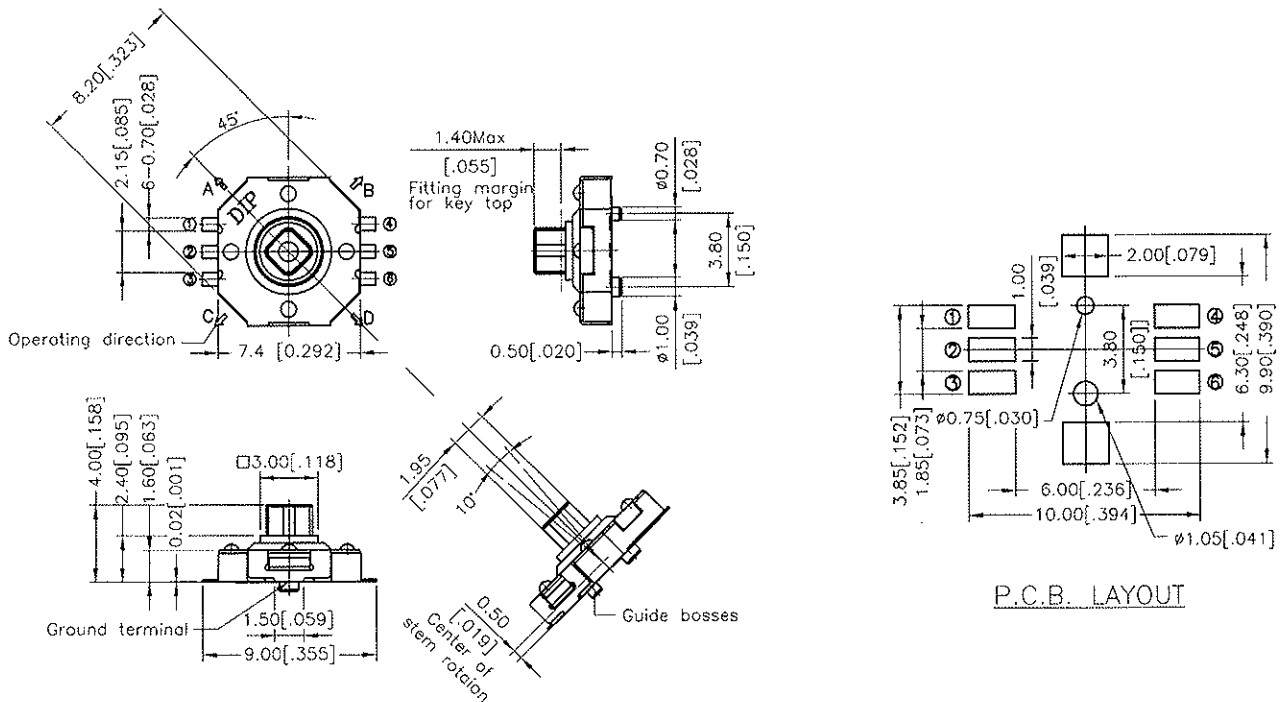


MT5



MULTI FUNCTION SWITCH

MT4-F



General Tolerance: ±0.2mm (±0.008")

www.dip.com.tw