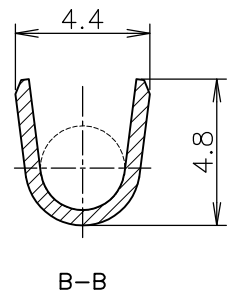
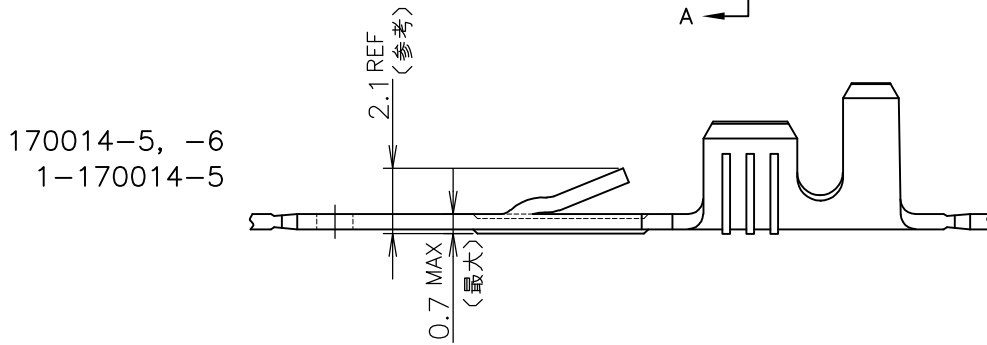
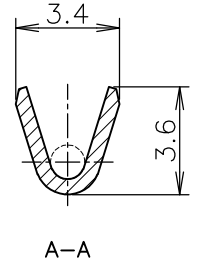
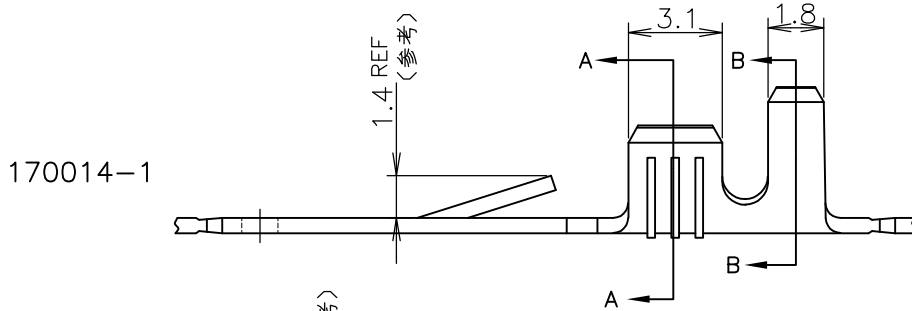
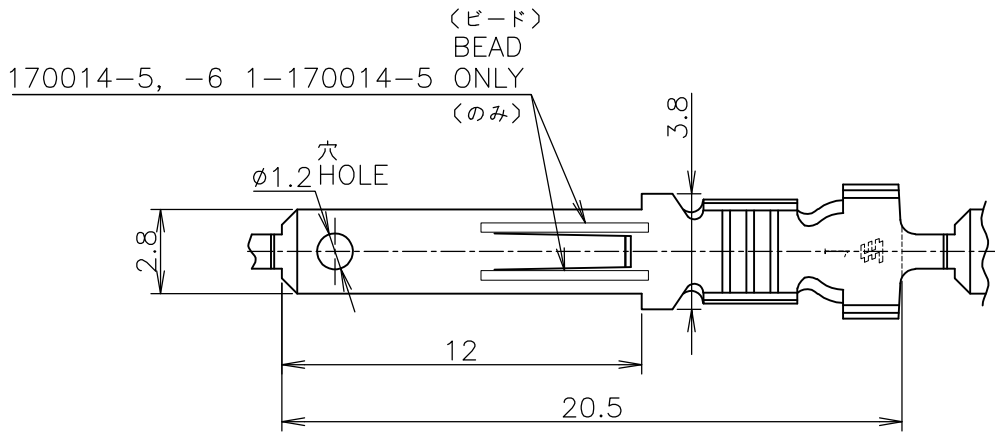


LOC J	DIST /	REVISIONS 変更			DATE	DWN	APVD
		P	LTR	DESCRIPTION			
			M1	REVISED PER ECO-11-005030	11MAR11	RK	HMR

\*- -\*; AS SHOWN



170015-*	錫めっき済黄銅 (PRE-TIN BRASS) 0.5t	—  —	170014-6	
	黄銅 (BRASS) 0.5t	—  —	1-170014-5	
	黄銅 (BRASS) 0.5t	—  —	170014-5	
	黄銅 (BRASS) 0.5t	170041-1	170014-1	
MATING CONN PART NO. 嵌合型番	FINISH 仕上	MATERIAL 材料	L/P PART NO. ばら状端子型番	STRIP PART NO. 連鎖状端子型番

WIRE RANGE 抱合電線断面積	AWG #20-#16 0.5~1.42 mm <sup>2</sup>	INSULATION DIA 被覆外径	2.0~3.0 mm $\phi$
-----------------------	---	------------------------	-------------------

DIMENSIONS:  
単位: 耗  
mm

TOLERANCES UNLESS OTHERWISE SPECIFIED:  
一般公差

0 PLC ±  
1 PLC ±  
2 PLC ± 0.4  
3 PLC ±  
4 PLC ±  
ANGLES ±

DWN N.YAMASAKI	29OCT2002
CHK M.SHINDO	29OCT2002
APVD Y.KASHIWA	29OCT2002
PRODUCT SPEC 製品規格	108-5005
APPLICATION SPEC 取付適用規格	
WEIGHT	

TE Connectivity

NAME  
名称  
110 SERIES FASTIN - FASTON TAB  
110シリーズ ファスティン・ファストン・タブ

SIZE  
A4

CAGE CODE  
00779

DRAWING NO  
番号  
170014

RESTRICTED TO

CUSTOMER DRAWING

SCALE  
尺度  
4:1

SHEET  
1 OF 1

REV  
M1

THIS DRAWING IS UNPUBLISHED. ALL RIGHTS RESERVED. RELEASED FOR PUBLICATION