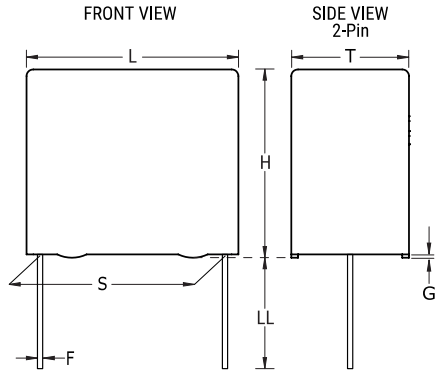


F461, Film, Metallized Polypropylene, General Purpose, 0.01 uF, 5%, 400 VDC, 85°C, Lead Spacing = 5mm



Dimensions	
L	7.2mm -0.5mm
H	7.5mm -0.5mm
T	3.5mm -0.5mm
S	5mm +/-0.4mm
LL	17mm +0/-1mm
F	0.5mm +/-0.05mm
G	0.5mm NOM

Packaging Specifications	
Packaging:	Bulk, Bag
Packaging Quantity:	3000

General Information	
Series:	F461
Dielectric:	Metallized Polypropylene
Style:	Radial
Features:	MKP, Pulse
RoHS:	Yes
Lead:	Wire Leads
AEC-Q200:	No
Component Weight:	0.379 g
Miscellaneous:	The Rated Voltage Decreases 2%/C Between +85C And +105C (1.25%/C For AC). ClimCat: 55/105/56.

Specifications	
Capacitance:	0.01 uF
Capacitance Tolerance:	5%
Voltage AC:	220 VAC
Voltage DC:	400 VDC, 240 VDC (105C)
Temperature Range:	-55/+105°C
Rated Temperature:	85°C
Dissipation Factor:	0.04% 1kHz, 0.06% 10kHz, 0.25% 100kHz
Insulation Resistance:	100 GOhms
Max dV/dt:	400 V/us
Inductance:	6 nH