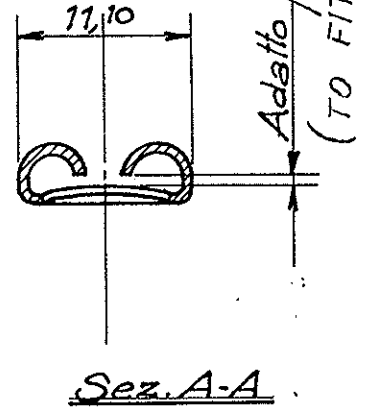
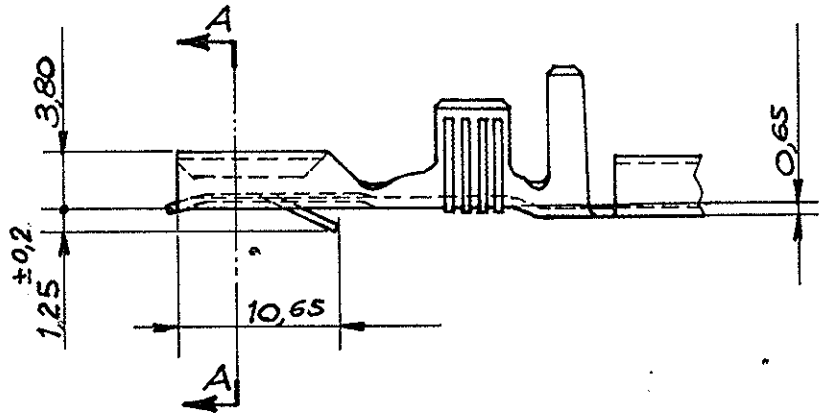
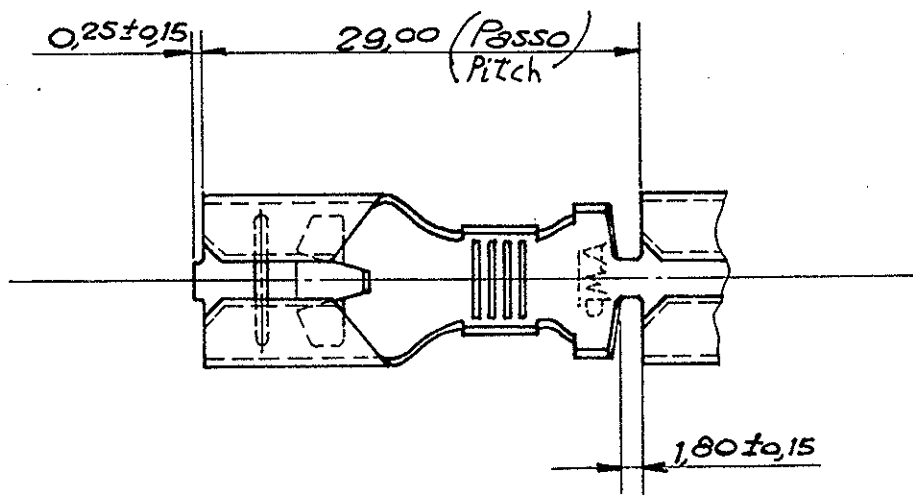


280756



1 OBSOLETE

PROIEZIONE AMERICANA

DIMENSIONS IN MM. DO NOT SCALE PRINT

L3	ECR-10-022530	KK	HMR	08FEB11	© 1976 BY TE INCORPORATED. ALL RIGHTS RESERVED. TE PRODUCTS COVERED BY PATENTS AND OR PATENTS PENDING.	CUSTOMER COPY REFERENCE ONLY				
L2	STARTEC UPDXTING		H.Y.		MATERIAL AND FINISH	TE Connectivity				
L1	REVISED ETOD-0225-99		R.M.	4-5 2000	1 Δ / 1 OTTONE / 2 OTTONE STAGNATO					
B	DIM. 1,25±0,2 NAS 1,40			16/11/82	1 Δ / 3 BRONZO FOSFOROSO / 4 BRONZO FOSF. STAGNATO	CLASS				
A	IN PRODUZIONE			29-DIC.76	WIRE RANGE INSULATION	TYPE				
1	P/N ERA IA-76-5207			20/7/86	.3÷6 mm ² ϕ 3,4÷5,1mm					
LTR	REVISION RECORD	DR	CHK	DATE	TOLERANCE EXCEPT AS NOTED	SCALE	LOC	NO	REV	
DR	Jopper JULY 1976	DE			±0,3 · 1 · 0	2:1	I	A	280756	L3
CHK		APR		29/24/76	NAME	.375 SERIES FASTIN-FASTON RECEPTACLE				

Mouser Electronics

Authorized Distributor

Click to View Pricing, Inventory, Delivery & Lifecycle Information:

[TE Connectivity:](#)

[280756-4 \(MOUSER REEL\)](#) [280756-4 \(CUT STRIP\)](#)