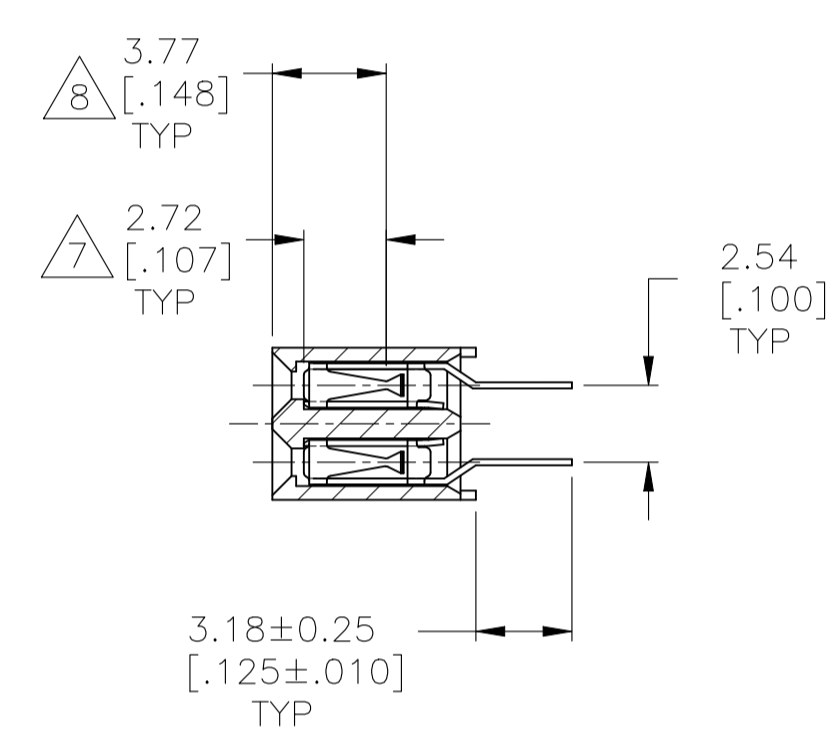
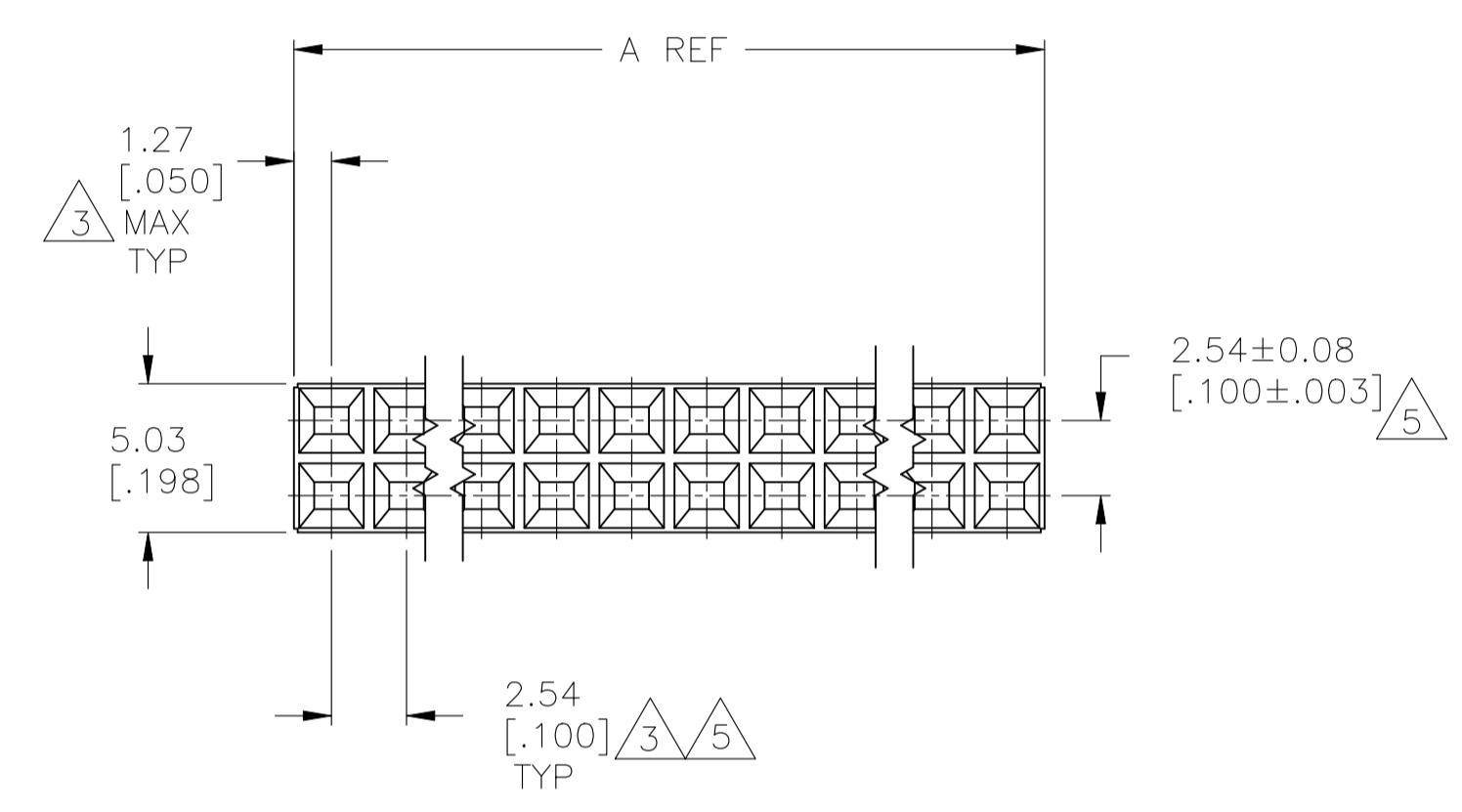
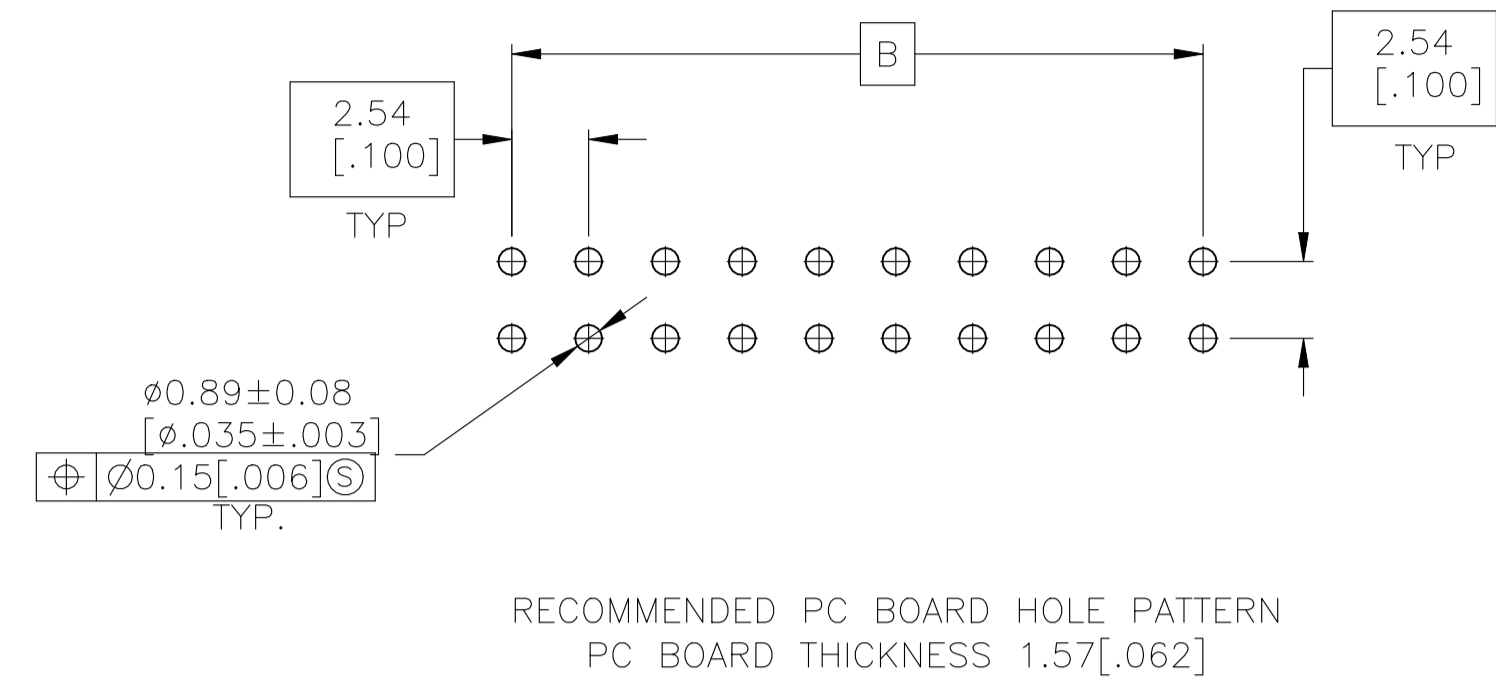
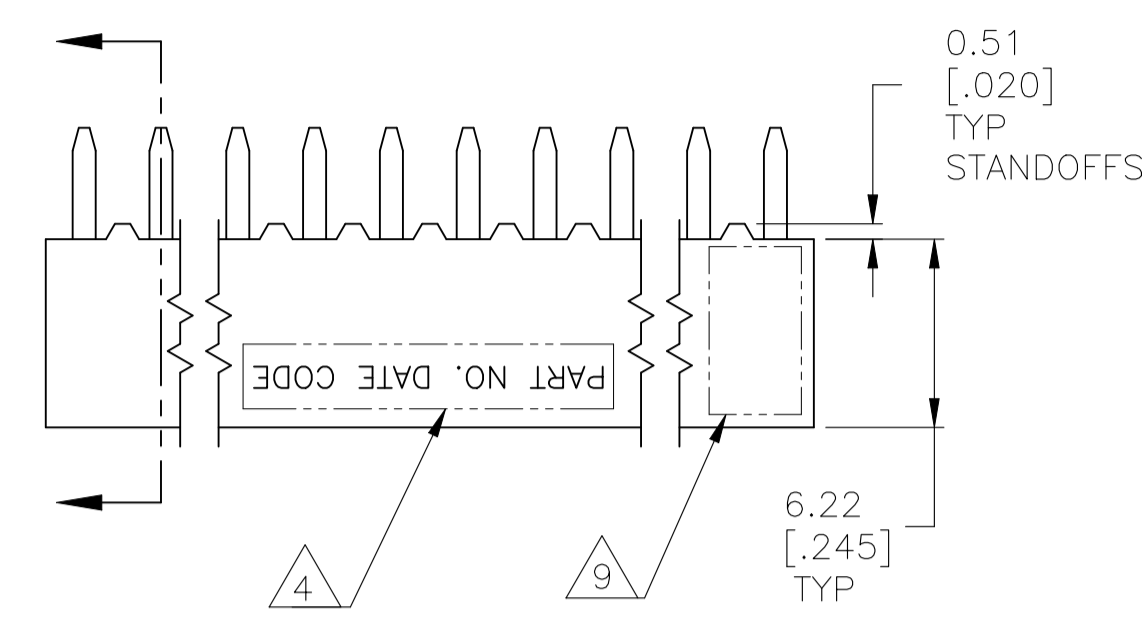


| REVISIONS |                       |           |     |      |
|-----------|-----------------------|-----------|-----|------|
| REV       | DESCRIPTION           | DATE      | BY  | APPD |
| R         | HOUSING RESIN CHANGED | 27OCT2021 | SCB | KJK  |

SEE SHEET 2  
FOR P/N'S -51 THRU -90



| REV | DESCRIPTION              | DATE | BY | APPD | B             | A             | NO OF POSN | PART NUMBER |
|-----|--------------------------|------|----|------|---------------|---------------|------------|-------------|
| 2   |                          |      |    |      | 88.90 [3.500] | 91.44 [3.600] | 72         | 3-534998-6  |
| 2   |                          |      |    |      | 86.36 [3.400] | 88.90 [3.500] | 70         | 3-534998-5  |
| 2   | SUPERCEDED BY 8-534998-4 |      |    |      | 83.82 [3.300] | 86.36 [3.400] | 68         | 3-534998-4  |
| 2   |                          |      |    |      | 81.28 [3.200] | 83.82 [3.300] | 66         | 3-534998-3  |
| 2   |                          |      |    |      | 78.74 [3.100] | 81.28 [3.200] | 64         | 3-534998-2  |
| 2   |                          |      |    |      | 76.20 [3.000] | 78.74 [3.100] | 62         | 3-534998-1  |
| 2   |                          |      |    |      | 73.66 [2.900] | 76.20 [3.000] | 60         | 3-534998-0  |
| 2   |                          |      |    |      | 71.12 [2.800] | 73.66 [2.900] | 58         | 2-534998-9  |
| 2   |                          |      |    |      | 68.58 [2.700] | 71.12 [2.800] | 56         | 2-534998-8  |
| 2   |                          |      |    |      | 66.04 [2.600] | 68.58 [2.700] | 54         | 2-534998-7  |
| 2   | SUPERCEDED BY 7-534998-6 |      |    |      | 63.50 [2.500] | 66.04 [2.600] | 52         | 2-534998-6  |
| 2   |                          |      |    |      | 60.96 [2.400] | 63.50 [2.500] | 50         | 2-534998-5  |
| 2   |                          |      |    |      | 58.42 [2.300] | 60.96 [2.400] | 48         | 2-534998-4  |
| 2   |                          |      |    |      | 55.88 [2.200] | 58.42 [2.300] | 46         | 2-534998-3  |
| 2   |                          |      |    |      | 53.34 [2.100] | 55.88 [2.200] | 44         | 2-534998-2  |
| 2   |                          |      |    |      | 50.80 [2.000] | 53.34 [2.100] | 42         | 2-534998-1  |
| 2   |                          |      |    |      | 48.26 [1.900] | 50.80 [2.000] | 40         | 2-534998-0  |
| 2   |                          |      |    |      | 45.72 [1.800] | 48.26 [1.900] | 38         | 1-534998-9  |
| 2   |                          |      |    |      | 43.18 [1.700] | 45.72 [1.800] | 36         | 1-534998-8  |
| 2   |                          |      |    |      | 40.64 [1.600] | 43.18 [1.700] | 34         | 1-534998-7  |
| 2   |                          |      |    |      | 38.10 [1.500] | 40.64 [1.600] | 32         | 1-534998-6  |
| 2   |                          |      |    |      | 35.56 [1.400] | 38.10 [1.500] | 30         | 1-534998-5  |
| 2   |                          |      |    |      | 33.02 [1.300] | 35.56 [1.400] | 28         | 1-534998-4  |
| 2   |                          |      |    |      | 30.48 [1.200] | 33.02 [1.300] | 26         | 1-534998-3  |
| 2   |                          |      |    |      | 27.94 [1.100] | 30.48 [1.200] | 24         | 1-534998-2  |
| 2   |                          |      |    |      | 25.40 [1.000] | 27.94 [1.100] | 22         | 1-534998-1  |
| 2   |                          |      |    |      | 22.86 [0.900] | 25.40 [1.000] | 20         | 1-534998-0  |
| 2   |                          |      |    |      | 20.32 [0.800] | 22.86 [0.900] | 18         | 534998-9    |
| 2   |                          |      |    |      | 17.78 [0.700] | 20.32 [0.800] | 16         | 534998-8    |
| 2   |                          |      |    |      | 15.24 [0.600] | 17.78 [0.700] | 14         | 534998-7    |
| 2   |                          |      |    |      | 12.70 [0.500] | 15.24 [0.600] | 12         | 534998-6    |
| 2   |                          |      |    |      | 10.16 [0.400] | 12.70 [0.500] | 10         | 534998-5    |
| 2   |                          |      |    |      | 7.62 [0.300]  | 10.16 [0.400] | 8          | 534998-4    |
| 2   |                          |      |    |      | 5.08 [0.200]  | 7.62 [0.300]  | 6          | 534998-3    |
| 2   |                          |      |    |      | 2.54 [0.100]  | 5.08 [0.200]  | 4          | 534998-2    |
| 2   |                          |      |    |      | -             | 2.54 [0.100]  | 2          | 534998-1    |

| REV | DESCRIPTION              | B             | A              | NO OF POSN | PART NUMBER |
|-----|--------------------------|---------------|----------------|------------|-------------|
| 2   | SUPERCEDED BY 9-534998-0 | 99.06 [3.900] | 101.60 [4.000] | 80         | 4-534998-0  |
| 2   |                          | 96.52 [3.800] | 99.06 [3.900]  | 78         | 3-534998-9  |
| 2   |                          | 93.98 [3.700] | 96.52 [3.800]  | 76         | 3-534998-8  |
| 2   |                          | 91.44 [3.600] | 93.98 [3.700]  | 74         | 3-534998-7  |

- 1 HOUSING: FLAME RETARDANT, GLASS FILLED, THERMOPLASTIC, COLOR: BLACK. CONTACT: PHOSPHOR BRONZE
- 2 CONTACT: DUPLEX PLATED 0.76µm[.000030] GOLD IN CONTACT AREA, 3.81-7.62µm[.000150-.000300] BRIGHT TIN-LEAD ON LEADS, ALL OVER 1.27µm[.000050] NICKEL
- 3 THESE DIMENSIONS PERTAIN TO CAVITY CENTERLINES ONLY - NOT TO CONTACT LOCATIONS
- 4 PART NUMBER AND DATE CODE ARE MARKED IN APPROXIMATE LOCATION SHOWN, EITHER SIDE.
- 5 TOLERANCE IS NON-CUMULATIVE.
- 6 2 POSITION DATE CODE IS MARKED OPPOSITE SIDE OF TE CONNECTIVITY LOGO.
- 7 POINT-OF-MEASUREMENT DIMENSION FOR PLATING THICKNESS (INSIDE CONTACT BEAM).
- 8 POINT-OF-CONTACT DIMENSION.
- 9 TE CONNECTIVITY TRADEMARK AND CSA LOGO ARE MOLDED INTO HOUSING, THIS LOCATION.
- 10 NO PART NUMBER MARKING REQUIRED FOR THIS PART.
- 11 CONTACT: DUPLEX PLATED 0.76µm[.000030] GOLD IN CONTACT AREA, 3.81-7.62µm[.000150-.000300] MATTE TIN ON LEADS, ALL OVER 1.27µm[.000050] NICKEL
- 12 ROHS 2002/95/EC COMPLIANT

THIS DRAWING IS A CONTROLLED DOCUMENT.

|                         |  |                           |   |
|-------------------------|--|---------------------------|---|
| DIMENSIONS: mm [INCHES] | TOLERANCES UNLESS OTHERWISE SPECIFIED: | DIN M. BINNER 06NOV02     | TE Connectivity Ltd.  |
| 0. PLC ± -              | 1. PLC ± -                             | CHK J. JOLSON 06NOV02     | RECEPTACLE ASSEMBLY, MOD IV, DOUBLE ROW, DUAL ENTRY, .100X.100CL, VERTICAL MOUNT, AMPMODU |
| 2. PLC ± ± 0.13[.005]   | 3. PLC ± ± -                           | APVD J. JOLSON 06NOV02    | PRODUCT SPEC 108-25022  |
| 4. PLC ANGLES ± ± -     | FINISH                                 | NAME                      | APPLICATION SPEC 114-25018  |
| MATERIAL 1              | FINISH 2                               | SIZE CAGE CODE DRAWING NO | RESTRICTED TO   |
|                         |  | WEIGHT -                  | A1 00779 534998   |
|                         |  | CUSTOMER DRAWING          | SCALE 4:1 SHEET 1 OF 2 REV R  |

| REVISIONS |      |             |    |      |
|-----------|------|-------------|----|------|
| REV       | DATE | DESCRIPTION | BY | APPV |
| -         | -    | SEE SHEET 1 | -  | -    |

| REV | DATE    | DESCRIPTION | BY | APPV       |
|-----|---------|-------------|----|------------|
| 1   | 88.90   | 91.44       | 72 | 8-534998-6 |
| 2   | [3.500] | [3.600]     |    |            |
| 3   | 86.36   | 88.90       | 70 | 8-534998-5 |
| 4   | [3.400] | [3.500]     |    |            |
| 5   | 83.82   | 86.36       | 68 | 8-534998-4 |
| 6   | [3.300] | [3.400]     |    |            |
| 7   | 81.28   | 83.82       | 66 | 8-534998-3 |
| 8   | [3.200] | [3.300]     |    |            |
| 9   | 78.74   | 81.28       | 64 | 8-534998-2 |
| 10  | [3.100] | [3.200]     |    |            |
| 11  | 76.20   | 78.74       | 62 | 8-534998-1 |
| 12  | [3.000] | [3.100]     |    |            |
| 13  | 73.66   | 76.20       | 60 | 8-534998-0 |
| 14  | [2.900] | [3.000]     |    |            |
| 15  | 71.12   | 73.66       | 58 | 7-534998-9 |
| 16  | [2.800] | [2.900]     |    |            |
| 17  | 68.58   | 71.12       | 56 | 7-534998-8 |
| 18  | [2.700] | [2.800]     |    |            |
| 19  | 66.04   | 68.58       | 54 | 7-534998-7 |
| 20  | [2.600] | [2.700]     |    |            |
| 21  | 63.50   | 66.04       | 52 | 7-534998-6 |
| 22  | [2.500] | [2.600]     |    |            |
| 23  | 60.96   | 63.50       | 50 | 7-534998-5 |
| 24  | [2.400] | [2.500]     |    |            |
| 25  | 58.42   | 60.96       | 48 | 7-534998-4 |
| 26  | [2.300] | [2.400]     |    |            |
| 27  | 55.88   | 58.42       | 46 | 7-534998-3 |
| 28  | [2.200] | [2.300]     |    |            |
| 29  | 53.34   | 55.88       | 44 | 7-534998-2 |
| 30  | [2.100] | [2.200]     |    |            |
| 31  | 50.80   | 53.34       | 42 | 7-534998-1 |
| 32  | [2.000] | [2.100]     |    |            |
| 33  | 48.26   | 50.80       | 40 | 7-534998-0 |
| 34  | [1.900] | [2.000]     |    |            |
| 35  | 45.72   | 48.26       | 38 | 6-534998-9 |
| 36  | [1.800] | [1.900]     |    |            |
| 37  | 43.18   | 45.72       | 36 | 6-534998-8 |
| 38  | [1.700] | [1.800]     |    |            |
| 39  | 40.64   | 43.18       | 34 | 6-534998-7 |
| 40  | [1.600] | [1.700]     |    |            |
| 41  | 38.10   | 40.64       | 32 | 6-534998-6 |
| 42  | [1.500] | [1.600]     |    |            |
| 43  | 35.56   | 38.10       | 30 | 6-534998-5 |
| 44  | [1.400] | [1.500]     |    |            |
| 45  | 33.02   | 35.56       | 28 | 6-534998-4 |
| 46  | [1.300] | [1.400]     |    |            |
| 47  | 30.48   | 33.02       | 26 | 6-534998-3 |
| 48  | [1.200] | [1.300]     |    |            |
| 49  | 27.94   | 30.48       | 24 | 6-534998-2 |
| 50  | [1.100] | [1.200]     |    |            |
| 51  | 25.40   | 27.94       | 22 | 6-534998-1 |
| 52  | [1.000] | [1.100]     |    |            |
| 53  | 22.86   | 25.40       | 20 | 6-534998-0 |
| 54  | [.900]  | [1.000]     |    |            |
| 55  | 20.32   | 22.86       | 18 | 5-534998-9 |
| 56  | [.800]  | [.900]      |    |            |
| 57  | 17.78   | 20.32       | 16 | 5-534998-8 |
| 58  | [.700]  | [.800]      |    |            |
| 59  | 15.24   | 17.78       | 14 | 5-534998-7 |
| 60  | [.600]  | [.700]      |    |            |
| 61  | 12.70   | 15.24       | 12 | 5-534998-6 |
| 62  | [.500]  | [.600]      |    |            |
| 63  | 10.16   | 12.70       | 10 | 5-534998-5 |
| 64  | [.400]  | [.500]      |    |            |
| 65  | 7.62    | 10.16       | 8  | 5-534998-4 |
| 66  | [.300]  | [.400]      |    |            |
| 67  | 5.08    | 7.62        | 6  | 5-534998-3 |
| 68  | [.200]  | [.300]      |    |            |
| 69  | 2.54    | 5.08        | 4  | 5-534998-2 |
| 70  | [.100]  | [.200]      |    |            |
| 71  | -       | 2.54        | 2  | 5-534998-1 |
| 72  |         | [.100]      |    |            |

|   |         |         |            |             |
|---|---------|---------|------------|-------------|
| 1 | 99.06   | 101.60  | 80         | 9-534998-0  |
| 2 | [3.900] | [4.000] |            |             |
| 3 | 96.52   | 99.06   | 78         | 8-534998-9  |
| 4 | [3.800] | [3.900] |            |             |
| 5 | 93.98   | 96.52   | 76         | 8-534998-8  |
| 6 | [3.700] | [3.800] |            |             |
| 7 | 91.44   | 93.98   | 74         | 8-534998-7  |
| 8 | [3.600] | [3.700] |            |             |
|   | B       | A       | NO OF POSN | PART NUMBER |

THIS DRAWING IS A CONTROLLED DOCUMENT.

|                            |   |  |   |
|----------------------------|---|--|---|
| DIMENSIONS:<br>mm [INCHES] | TOLERANCES UNLESS OTHERWISE SPECIFIED:<br>0. PLC ± -<br>1. PLC ± -<br>2. PLC ± 0.13[.005]<br>3. PLC ± -<br>4. PLC ± -<br>ANGLES ± - | DIN M. BINNER 06NOV02<br>CHK J. JOLSON 06NOV02<br>APVD J. JOLSON 06NOV02 | NAME<br>RECEPTACLE ASSEMBLY, MOD IV,<br>DOUBLE ROW, DUAL ENTRY, .100X.100CL,<br>VERTICAL MOUNT, AMPMODU |
| MATERIAL                   | FINISH  | SIZE<br>A1   | SCALE<br>4:1  |
| CUSTOMER DRAWING           |   | WEIGHT<br>-  | RESTRICTED TO<br>-  |

4805 (1/15)

# Mouser Electronics

Authorized Distributor

Click to View Pricing, Inventory, Delivery & Lifecycle Information:

[TE Connectivity:](#)

[7-534998-0](#)