

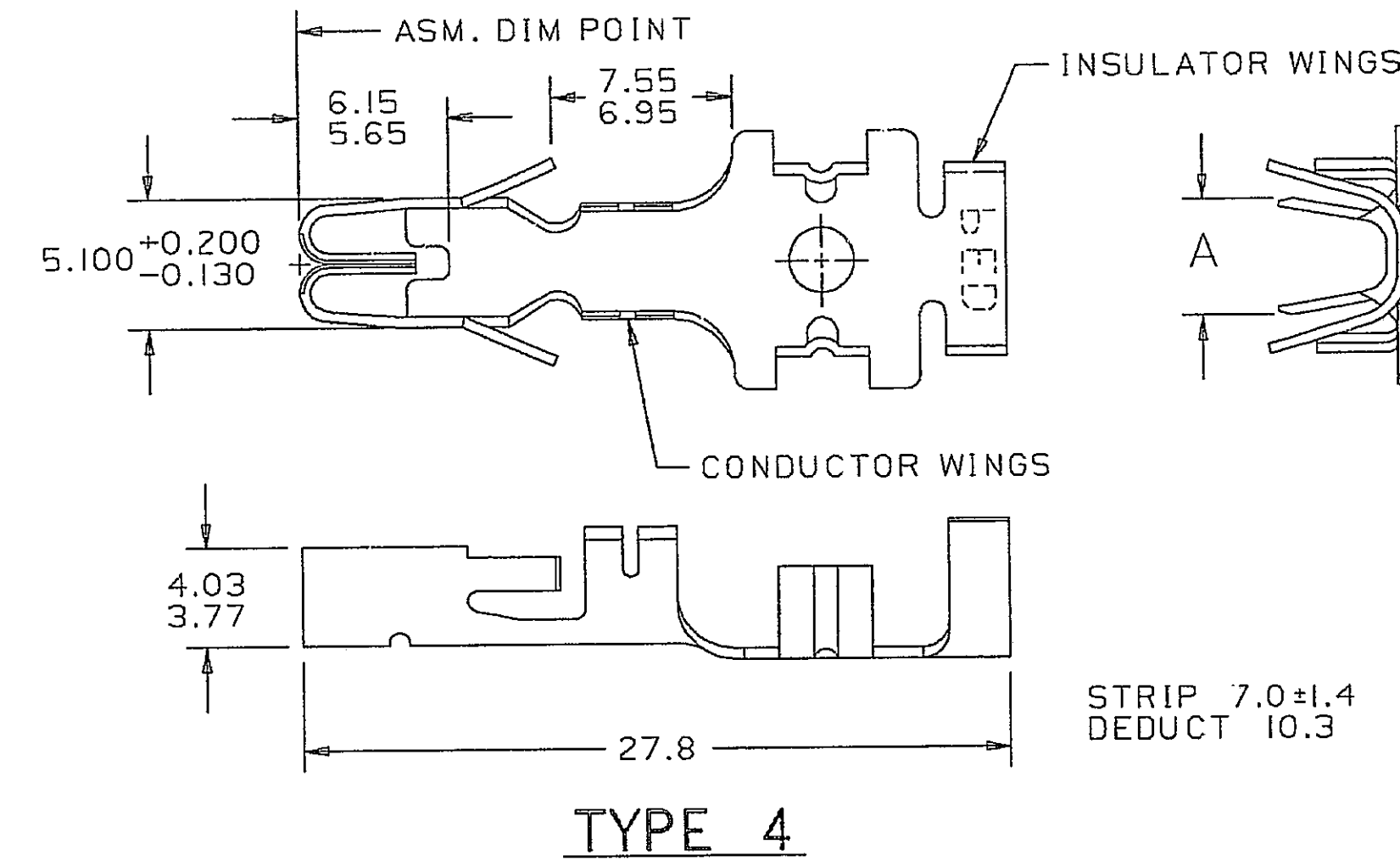
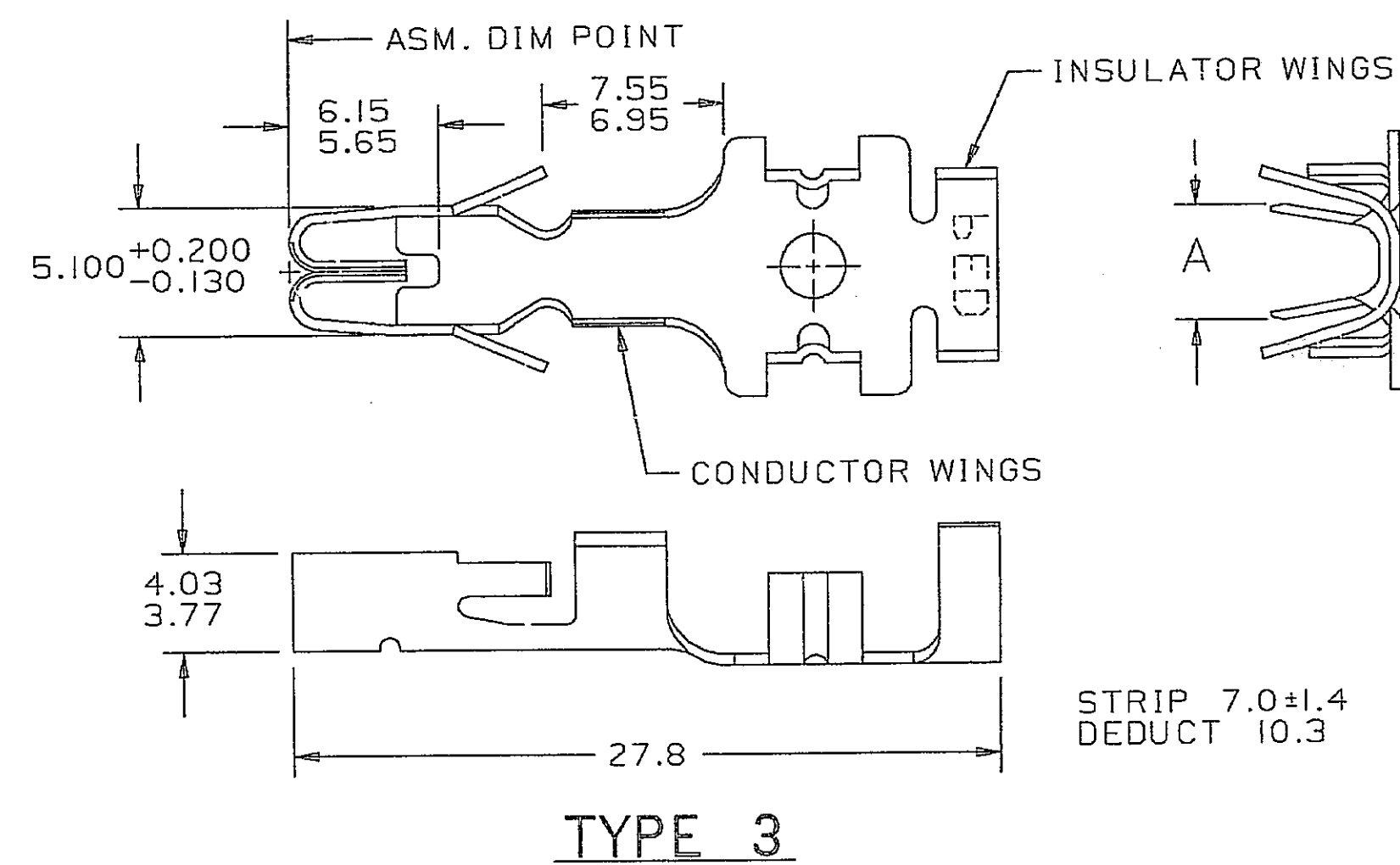
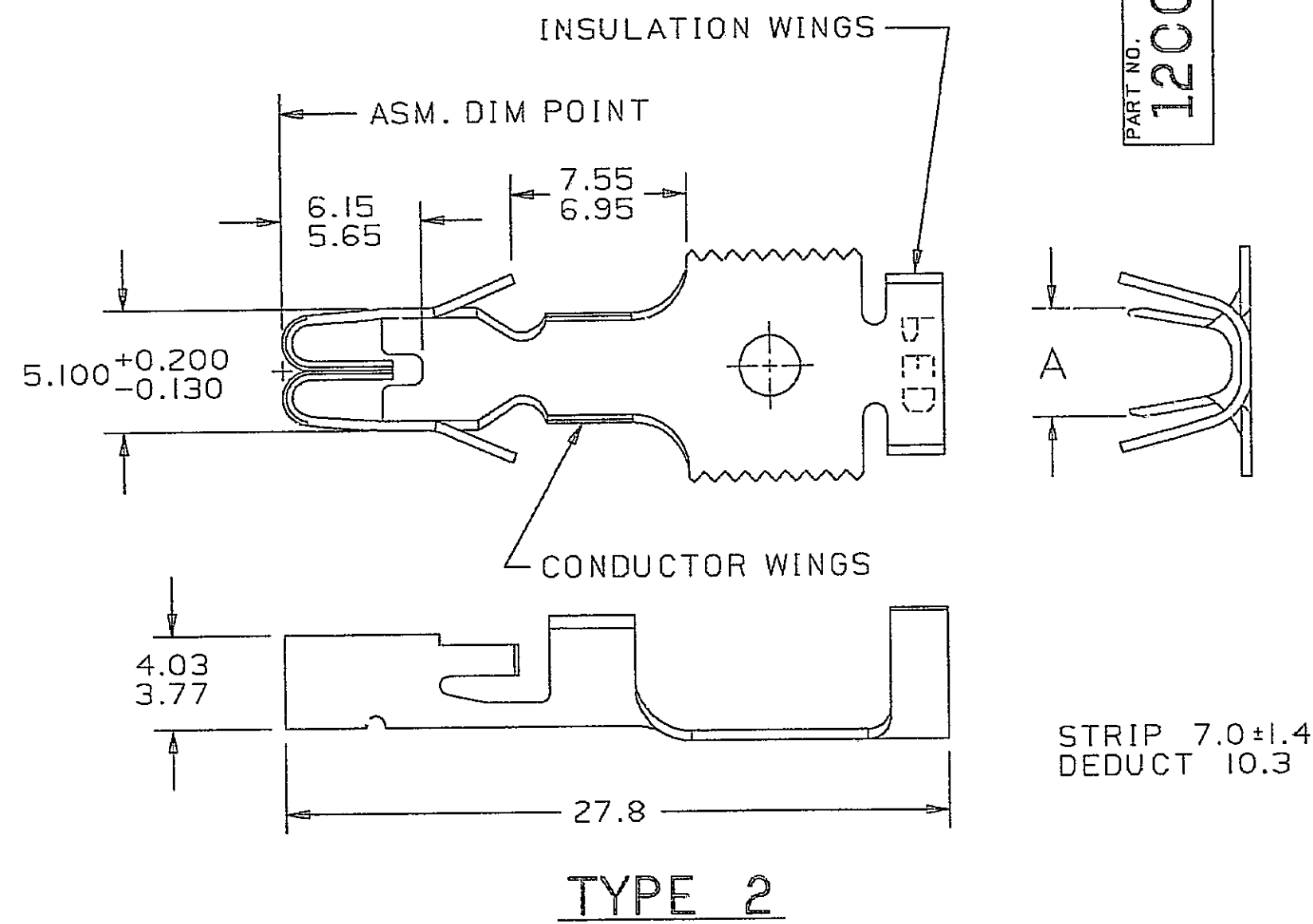
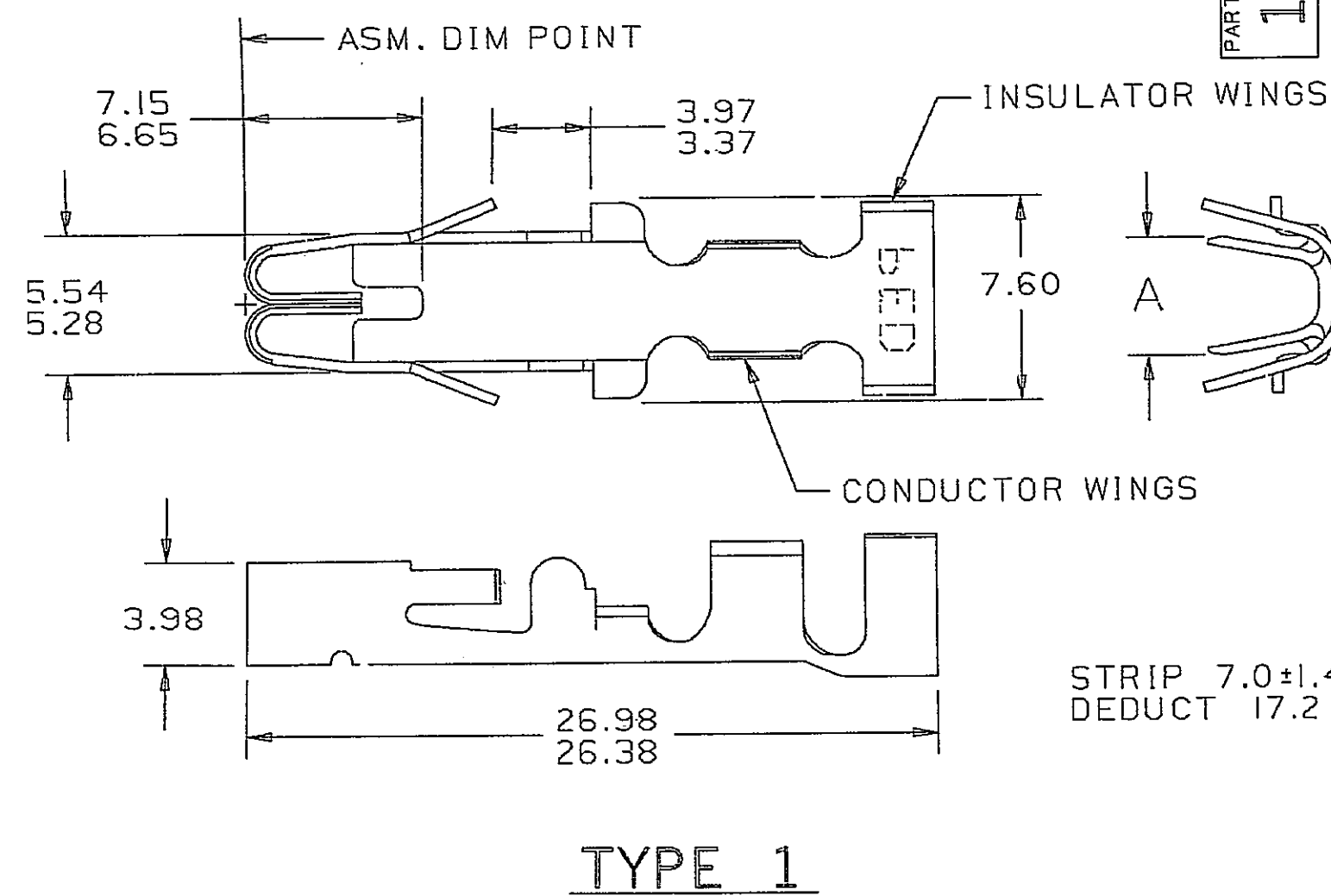
D

THIS DRAWING AND DESIGN HEREON CONSTITUTE A PROPRIETARY DESIGN OF PACKARD ELECTRIC DIVISION AND IS NOT TO BE DUPLICATED OR REPRODUCED WITHOUT AUTHORITY OF PACKARD ELECTRIC DIVISION.

DO NOT SCALE

PART NO. 1200 4552

PART NO. 1200 4552



PART NO.	REV.	STATUS	MATERIAL	PART NO.	REV.	STATUS	TYPE	SIZE (MM ²)	DIA.	I.D.	A
12089823	B1		0.406 THK SAE CA 260 BRASS	12010636	A	F1	1	2.0-1.0	3.95	15	4.4
			0.406 THK SAE CA 260 COPPER	12078138	B1		4	2.0-1.0	3.95	15	3.3
			0.406 THK SAE CA 260 COPPER	12078136	B1		4	5.0-3.0	5.10	11	4.6
12078033	B1	OBSOLETE	0.406 THK SAE CA 260 BRASS	12078137	A	B1	4	2.0-1.0	3.95	15	3.3
12078032	B1	OBSOLETE	0.406 THK SAE CA 260 BRASS				4	5.0-3.0	5.10	11	4.6
12078031	B1	OBSOLETE	0.406 THK SAE CA 260 BRASS				2	0.8-0.5	3.10	19	3.8
12066447	A	OBSOLETE	0.406 THK SAE CA 260 BRASS				2	3.0	3.10	12	4.6
12052443	B1		0.406 THK SAE CA 260 BRASS				1	3.0	3.10	12	4.6
12052209	B1		0.406 THK SAE CA 260 BRASS				1	1.0	2.25	16	4.4
12052208	B1		0.406 THK SAE CA 260 BRASS	12048293	A	OBSOLETE	2	0.8-0.5	3.10	19	3.8
			0.406 THK SAE CA 195 COPPER	12048291	A	A1	2	2.0-1.0	3.95	15	4.4
			0.406 THK SAE CA 195 COPPER	12048290	A	A1	2	5.0-3.0	5.10	11	4.6
			0.406 THK SAE CA 195 COPPER	12048289	A	OBSOLETE	2	TWO 2.0-1.0	3.10	215	6.0
			0.406 THK SAE CA 195 COPPER	12048281	B1		1	TWO 0.8-0.5	2.55	219	4.7
			0.406 THK SAE CA 195 COPPER	12048280	A	OBSOLETE	1	TWO 2.0-1.0	3.10	215	6.0
			0.406 THK SAE CA 195 COPPER	12048279	B1		1	0.8-0.5	3.10	19	3.8
			0.406 THK SAE CA 195 COPPER	12048278	B1		1	2.0-1.0	3.95	15	4.4
			0.406 THK SAE CA 195 COPPER	12048277	B1		1	5.0-3.0	5.10	11	4.6
12020400	E1		0.406 THK SAE CA 260 BRASS	12089953	B1		2	2.0-1.0	3.95	15	4.4
12020338	D1		0.406 THK SAE CA 260 BRASS	2010637	A	E1	2	5.0-3.0	5.10	11	4.6
12020337	D1		0.406 THK SAE CA 260 BRASS				1	TWO 0.8-0.5	2.55	219	4.7
12020336	E1	OBSOLETE	0.406 THK SAE CA 260 BRASS	12089952	B1		1	TWO 2.0-1.0	3.10	215	6.0
12020335	E1		0.406 THK SAE CA 260 BRASS				1	0.8-0.5	3.10	19	3.8
12020334	E1		0.406 THK SAE CA 260 BRASS	12089951	B1		1	2.0-1.0	3.95	15	4.4
12020321	E1		0.406 THK SAE CA 260 BRASS	2089950	B1		1	0.35-0.22	1.86	23	2.2
12015373	E1		0.406 THK SAE CA 260 BRASS				3	TWO 0.8-0.5	2.55	219	4.7
12004582	A	OBSOLETE	0.406 THK SAE CA 260 BRASS				3	TWO 2.0-1.0	3.10	215	6.0
12004581	A	OBSOLETE	0.406 THK SAE CA 260 BRASS				3	0.8-0.5	3.10	19	3.1
12004580	A	OBSOLETE	0.406 THK SAE CA 260 BRASS				3	2.0-1.0	3.95	15	3.7
12004579	A	OBSOLETE	0.406 THK SAE CA 260 BRASS				3	5.0-3.0	5.10	11	4.6
12004578	A	OBSOLETE	0.406 THK SAE CA 260 BRASS				2	TWO 2.0-1.0	3.10	215	6.0
12004562	D1	OBSOLETE	0.406 THK SAE CA 260 BRASS				2	TWO 0.8-0.5	2.55	219	4.7
12004561	D1	OBSOLETE	0.406 THK SAE CA 260 BRASS				2	0.8-0.5	3.10	19	3.8
12004560	E1	OBSOLETE	0.406 THK SAE CA 260 BRASS				2	2.0-1.0	3.95	15	4.4
12004559	E	OBSOLETE	0.406 THK SAE CA 260 BRASS				2	5.0-3.0	5.10	11	4.6
12004558	D	OBSOLETE	0.406 THK SAE CA 260 BRASS				1	TWO 0.8-0.5	2.55	219	4.7
12004557	E	OBSOLETE	0.406 THK SAE CA 260 BRASS				1	TWO 2.0-1.0	3.10	215	6.0
12004556	E	OBSOLETE	0.406 THK SAE CA 260 BRASS				1	0.8-0.5	3.10	19	3.8
12004555	F	OBSOLETE	0.406 THK SAE CA 260 BRASS				1	2.0-1.0	3.95	15	4.4
12004554	F	OBSOLETE	0.406 THK SAE CA 260 BRASS				1	5.0-3.0	5.10	11	4.6
12004553	E	OBSOLETE	0.406 THK SAE CA 260 BRASS								
PART NO.	REV.	STATUS	MATERIAL	PART NO.	REV.	STATUS	TYPE	SIZE (MM ²)	DIA.	I.D.	A
			UNPLATED			PLATED					±0.4

CABLE I.D. NUMBER (AS SPECIFIED IN CHART) IS LOCATED ON UNDERSIDE OF EACH TERMINAL.

■ INDICATES SERRATIONS IN CONDUCTOR WINGS.

▲ INDICATES MATERIAL (C260 ALLOY) IS TIN PLATED OVER COPPER PLATE.

● INDICATES MATERIAL (C195 ALLOY) IS SILVER PLATED OVER NICKEL PLATE.

○ INDICATES MATERIAL (C260 ALLOY) IS SILVER PLATED OVER NICKEL PLATE.

NOTE — CONTACT PACKARD ELECTRIC SALES DEPARTMENT CONCERNING CURRENT PRODUCT AVAILABILITY.

As of 06JL 90 this drawing is no longer being maintained on computer vision.

CAD CAM (JWP)

METRIC		THIRD ANGLE PROJECTION	
DIMENSIONS ARE IN MILLIMETERS UNLESS OTHERWISE SPECIFIED		ANGULAR ± 2°	
CODE NO.	6900	TOLERANCE UNLESS OTHERWISE SPECIFIED	
OC		DECIMAL:	ONE PLACE ± 0.3 TWO PLACE ± 0.15
DWG. DATE	07JN78	SCALE	NONE
CD X.TERM.	12004552.00.01	DR.	R. SEBRELL
REFERENCE NO.	12004552 "D" SIZE	DATE	03AU84
SHT. #1, #2, & #6		APPR.	R.D. KEARNS
MATERIAL SPEC.		DATE	040C84
SEE CHART			
NAME			
TERM F PAC/ON III			
PART NO.	1200 4552		SIZE
OUTLINE DRAWING SHEET 1 OF 3			D

C05D1974

Mouser Electronics

Authorized Distributor

Click to View Pricing, Inventory, Delivery & Lifecycle Information:

[Aptiv:](#)

[12020321-L](#) [12020334-L](#) [12020400-L](#) [12048277-L](#) [12048278-L](#) [12048279-L](#) [12048290-L](#) [12020338-CT](#)