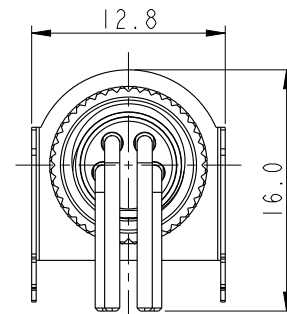
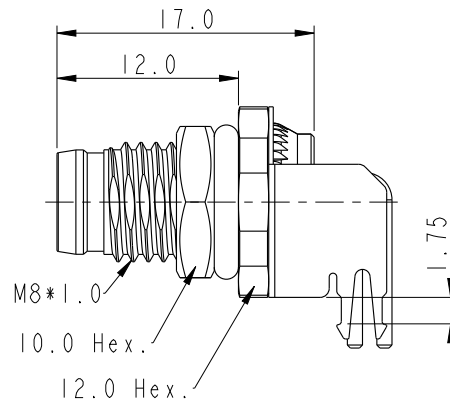
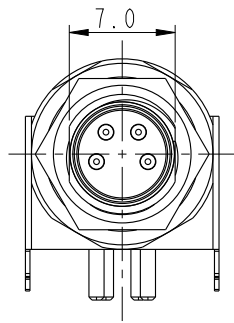
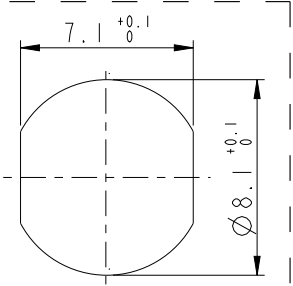
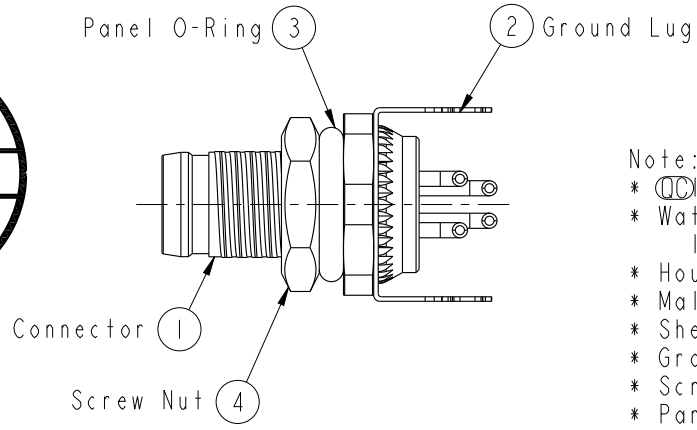


REV.	ECN NO.	DATE	SIGN	DESCRIPTION



ALTW  
CONFIDENTIAL  
2016-01-20  
R&D DEPT.

ALTW  
DCC. DEPT.  
CONFIDENTIAL  
2016.01.27  
ISSUED



Recommended Panel Cut-Out

- Note:
- \*  $\varnothing$  Important Dimension.
  - \* Waterproof Rate: IP68.  
IP68: 1M Depth of Water in 24hours.
  - \* Housing: Nylon+GF, Black.
  - \* Male Pin: Copper Alloy, Gold Plated.
  - \* Shell: Metal, Nickel Plated.
  - \* Ground Lug: Copper Alloy, Nickel Plated.
  - \* Screw Nut: Copper Alloy, Nickel Plated.
  - \* Panel O-Ring: Viton, Green.
  - \* Rated Voltage: 3Pin 60V dc. or ac.  
4Pin 30V dc. or ac.
  - \* Rated Current: 3 & 4Pin 4A
  - \* Operating Temperature: -40~105°C
  - \* For Panel Thickness: Min=2.0mm, Max=4.0mm.
  - \* For PCB Thickness: Max=1.6mm.
  - \* Recommended Nut Torque: 4~6 Kgf.cm.

UNIT: mm		
TOLERANCE		
.X	±0.25	
.XX	±0.1	
.XXX	±0.05	
ANGLES	±1°	

TITLE M8 Male Conn. Panel 90° PCB Type (Shielded)		
SCALE 2:1	SIZE A4	SHEET 1 OF 2
REV. A	WC-REV. A.6	: Inspection item

**Amphenol LTW**  
安費諾亮泰企業股份有限公司

ITEM NO.	DRAWN BY Yulong_wang	DATE 2016-01-20
DWG NO. M8S-XXPMR-SF8001	CHECKED BY Cary	DATE 2016-01-20
CUSTOMER ALTW	APPROVED BY Jerry	DATE 2016-01-20

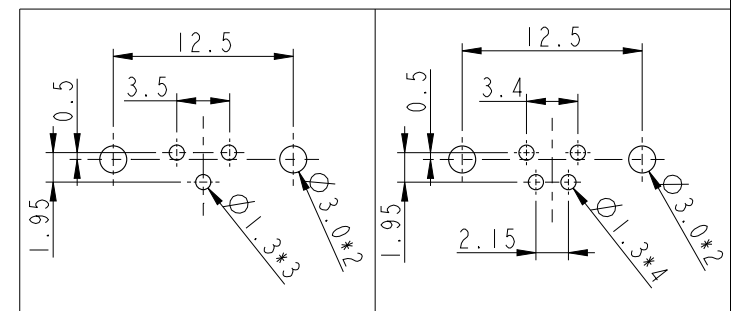
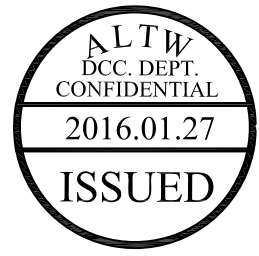
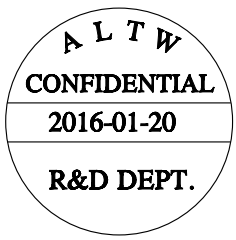
THIS DOCUMENT IS SUBJECT TO CHANGE WITHOUT NOTICE. IT IS CONFIDENTIAL AND A PROPERTY OF AMPHENOL LTW. DISCLOSURE TO THIRD PARTY HAS TO BE AUTHORIZED BY AMPHENOL LTW.

THIS DOCUMENT IS SUBJECT TO CHANGE WITHOUT NOTICE. IT IS CONFIDENTIAL AND A PROPERTY OF Amphenol LTW. DISCLOSURE TO THIRD PARTY HAS TO BE AUTHORIZED BY Amphenol LTW.

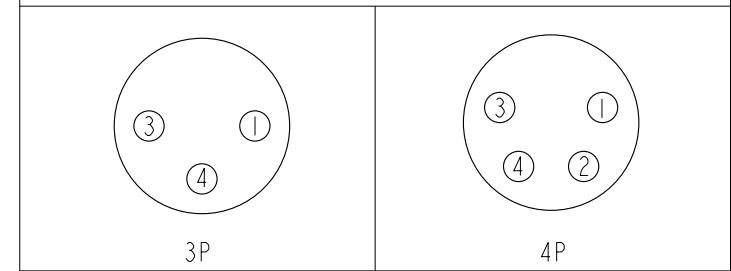
M 8S - XX P M M R - S F 8 001

8S: M8 Sensor Shielded  
 03: 3Pin  
 04: 4Pin  
 P: Panel (板端)  
 M: Male Connector (公座)  
 M: Male Pin (公Pin)

001: Phantom (虛擬料號)  
 8: IP68 (防水等級68)  
 F: Front Fasten (前鎖式/Enclosure Rear Mount)  
 S: Screw (螺紋式)  
 R: 90° PCB THT/DIP Type (90°基板插件式)



Recommend PCB Layout



Pin Assignmen Front View

UNIT: mm	
TOLERANCE	
.X	±0.25
.XX	±0.1
.XXX	±0.05
ANGLES	±1°

TITLE M8 Male Conn. Panel 90° PCB Type (Shielded)			
SCALE 2:1	SIZE A4	SHEET 2 OF 2	
REV. A	WC-REV. A.6	☉: Inspection item	

**Amphenol LTW**  
 安費諾亮泰企業股份有限公司

ITEM NO	DRAWN BY Yulong_wang	DATE 2016-01-20
DWG NO M8S-XXPMMR-SF8001	CHECKED BY Cary	DATE 2016-01-20
CUSTOMER ALTW	APPROVED BY Jerry	DATE 2016-01-20

# Mouser Electronics

Authorized Distributor

Click to View Pricing, Inventory, Delivery & Lifecycle Information:

[Amphenol:](#)

[M8S-03PMMR-SF8001](#)