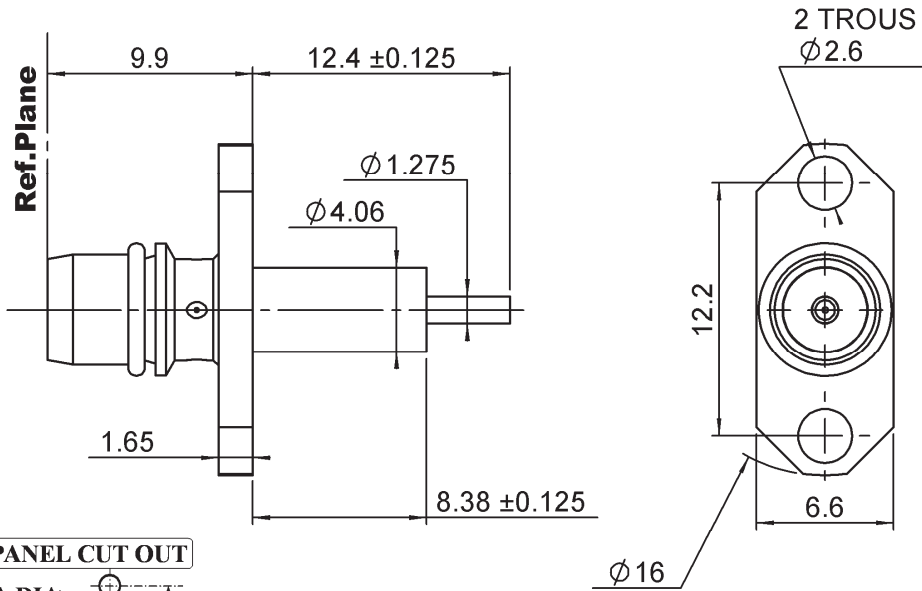
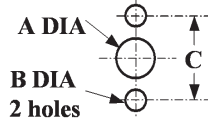


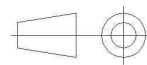
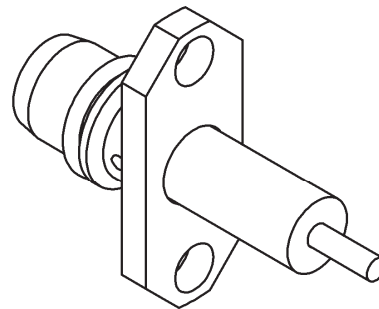
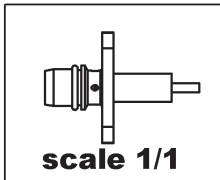
PAGE 1/2	ISSUE 1333A	SERIES BMA-COM	PART NUMBER R128474857
----------	-------------	-----------------------	-------------------------------



PANEL CUT OUT



	mm	
	Maxi	mini
A	4.2	4.1
B	2.65	2.6
C	12.25	12.15



All dimensions are in mm.

COMPONENTS	MATERIALS	PLATING (µm)
Body	BRASS	BBR
Center contact	BRASS	NPGR
Outer contact		
Insulator	PTFE	
Gasket		
Others parts		
-	-	-
-	-	-

PAGE 2/2	ISSUE 1333A	SERIES BMA-COM	PART NUMBER R128474857
----------	-------------	-----------------------	-------------------------------

PACKAGING

Standard	Unit	Other
100	Contact us	Contact us

ELECTRICAL CHARACTERISTICS

Impedance		50		Ω
Frequency		0-18		GHz
VSWR	1.04 +		0.0100	x F(GHz) Maxi
Insertion loss			0.07	√F(GHz) dB Maxi
RF leakage	- (100	- F(GHz)) dB Maxi
Voltage rating			350	Veff Maxi
Dielectric withstanding voltage			1000	Veff mini
Insulation resistance			5000	MΩ mini

MECHANICAL CHARACTERISTICS

Center contact retention				
Axial force – Mating End		18		N mini
Axial force – Opposite end		18		N mini
Torque		NA		N.cm mini
Recommended torque				
Mating		NA		N.cm
Panel nut		NA		N.cm
Mating life		500		Cycles mini
Weight		2.1900		g

ENVIRONMENTAL

Operating temperature	-65/+165	°C
Hermetic seal	NA	Atm.cm3/s
Panel leakage	NA	

SPECIFICATION

OTHER CHARACTERISTICS

Assembly instruction:

Others:

Mouser Electronics

Authorized Distributor

Click to View Pricing, Inventory, Delivery & Lifecycle Information:

Radial:

[R128474857W](#) [R128474857](#)