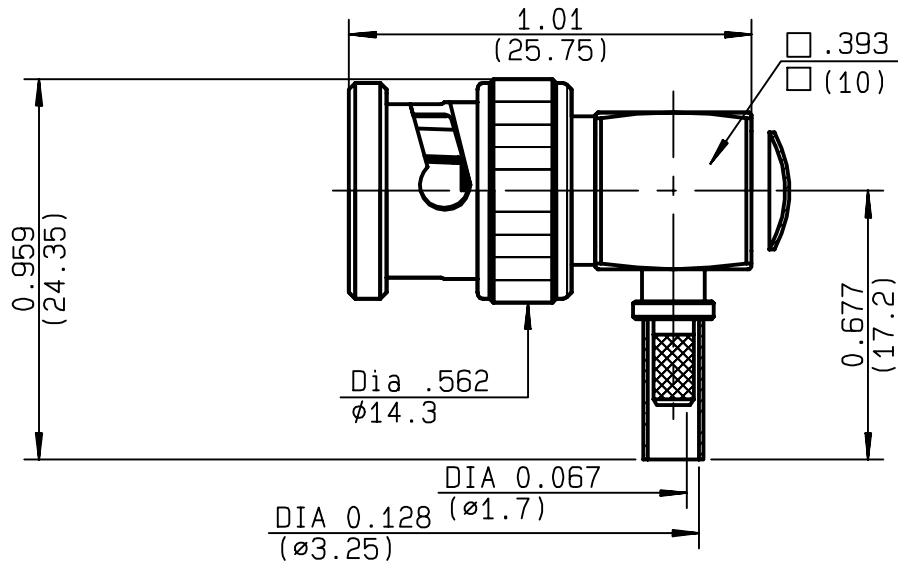


**RIGHT ANGLE PLUG CRIMP TYPE  
CABLE 2.6/50 S - PACK 100**

**R141.181.161**  
**SERIES BNC-COM**



NOMINAL IMPEDANCE	<b>50</b> Ω	CABLES : <b>KX 22A</b>
FREQUENCY RANGE	<b>0-1.5</b> GHz	<b>RG 188</b>
TEMPERATURE RATING	<b>-35/+70</b> °C	<b>RG 316</b>
V.S.W.R	<b>1.35</b> + x F(GHz)Maxi	
RF INSERTION LOSS	<b>0.175</b> √F(GHz) dB Maxi	
VOLTAGE RATING	<b>500</b> Veff Maxi	
DIELECTRIC WITHSTANDING VOLTAGE	<b>1500</b> Veff Mini	
INSULATION RESISTANCE	<b>5000</b> MΩMini	OTHERS CHARACTERISTICS
HERMETIC SEAL	<b>NA</b> Atm.cm <sup>3</sup> /s	CABLE RETENTION
LEAKAGE (pressurized only)	<b>NA</b>	<b>40</b> N Mini
MECHANICAL DURABILITY	<b>100</b> Cycles	CENTER CONTACT RETENTION
WEIGHT	<b>13.5</b> gr	Axial force - mating end
SPECIFICATION		<b>15</b> N Mini
		Axial force - opposite end
		<b>15</b> N Mini
		Torque
		<b>NA</b> cm.N Mini
		RECOMMENDED TORQUES
		Mating
		<b>NA</b> cm.N
		Panel nut
		<b>NA</b> cm.N
		Clamp nut
		<b>NA</b> cm.N

CONNECTOR PARTS	MATERIALS	FINISH	(all values are given ) in micrometers
BODY	BRASS	NICKEL 2	
OUTER CONTACT			
CENTER CONTACT	BRASS	GOLD 0.2 OVER NICKEL 2	
INSULATOR	WHITE POLYPROPYLENE	-	
GASKET	SILICONE RUBBER	-	
OTHERS PIECES			

ISSUE	CREATION DATE	FILE PART-NUMBER
<b>9910B01</b>	<b>31/05/1990</b>	<b>90-1200-030</b>



LELEU

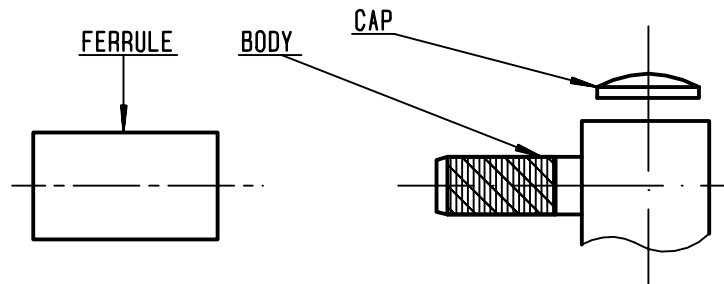
The information given here is subject to change without notice.  
Design changes may be in order to improve the product .

*Connect to the future*



**R141.181.161**

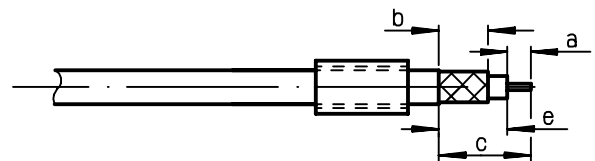
ISSUE **9910B01** SERIES **BNC-COM**



①

Slide onto the cable the ferrule .  
Strip the cable .

-  
-

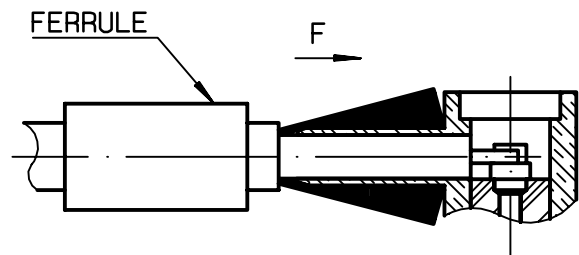


Stripping	a	b	c	d	e
inch	0.098	0.256	0.63	0	0.531
mm	2.5	6.5	16		13.5

②

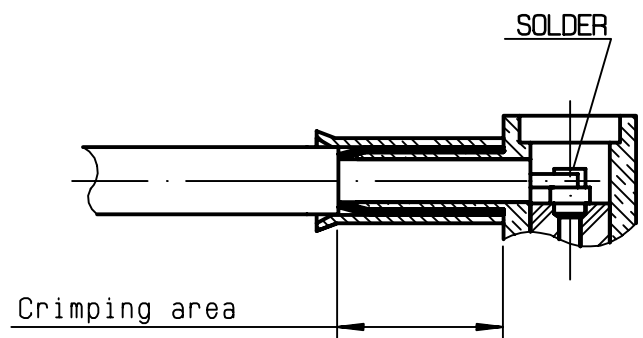
Fan the braid .  
Push connector body under the braid .  
Slide the ferrule on the braid  
( in direction F )

-  
-



③

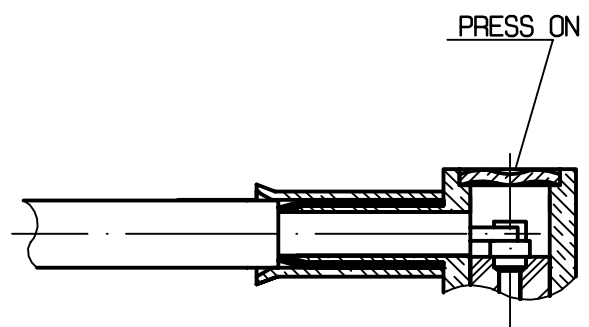
Crimp the ferrule with crimping tool  
R282 211 000 ( Hex. : .128 ) or  
crimping tool R 282 293 000 ( M22520/5-01 )  
+ dies R 282 235 003 ( M22520/5-03 )  
Solder inner conductor .



④

Place the cap .  
Press cap flush or slightly below surface  
of body assembly .

-  
-  
-  
-  
-



# Mouser Electronics

Authorized Distributor

Click to View Pricing, Inventory, Delivery & Lifecycle Information:

Radial:

[R141181161](#) [R141181161W](#)