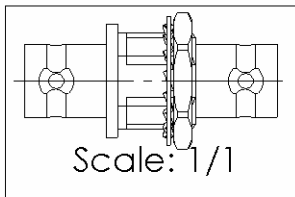
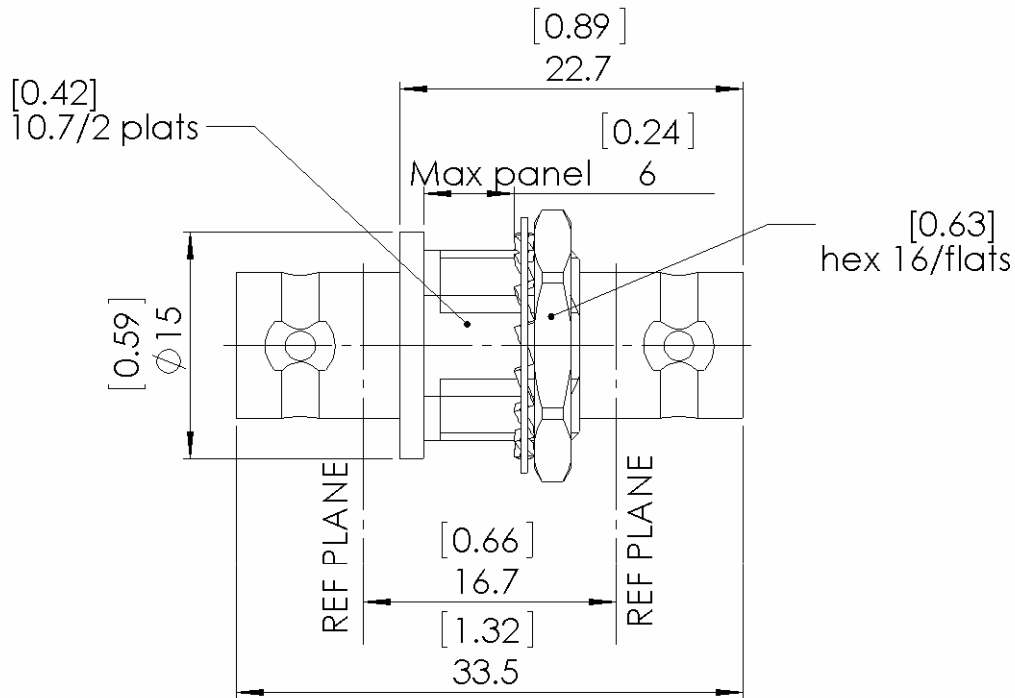


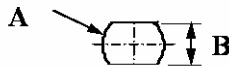
FEMALE-FEMALE BULKHEAD ADAPTOR

R142.720.700

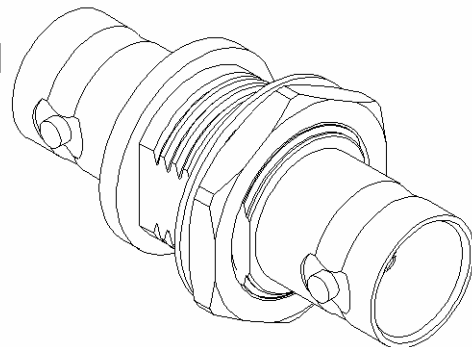
Series : **BNC 75 HDTV**



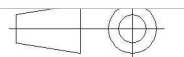
PANEL CUT OUT



| | mm | |
|----------|-------------|-------------|
| | Maxi | mini |
| A | 12.8 | 12.7 |
| B | 10.9 | 10.8 |



All dimensions are in mm.



| COMPONENTS | MATERIALS | PLATING (μ m) |
|-----------------------|-------------------------|--------------------|
| BODY | BRASS | BBR2 |
| CENTER CONTACT | BERYLLIUM COPPER | NPGR |
| OUTER CONTACT | | - |
| INSULATOR | PTFE | |
| GASKET | | |
| OTHERS PARTS | BRASS | BBR2 |
| - | - | - |
| - | - | - |

Issue : 0844 B

In the effort to improve our products, we reserve the right to make changes judged to be necessary.



FEMALE-FEMALE BULKHEAD ADAPTOR

R142.720.700

Series : **BNC 75 HDTV**

PACKAGING

SPECIFICATION

| Standard | Unit | Other |
|------------|-------------------|-------------------|
| 100 | 'W' option | Contact us |

ELECTRICAL CHARACTERISTICS

ENVIRONMENTAL

| | | |
|---------------------------------|----------------------|--------------------------------|
| Impedance | 75 | Ω |
| Frequency | 0-6 | GHz |
| VSWR | 1.03 + 0.0200 | x F(GHz) Maxi |
| Insertion loss | 0.1 | $\sqrt{F}(\text{GHz})$ dB Maxi |
| RF leakage | 55* | - F(GHz) dB Maxi |
| Voltage rating | 500 | Veff Maxi |
| Dielectric withstanding voltage | 1500 | Veff mini |
| Insulation resistance | 5000 | M Ω mini |

| | | |
|-----------------------|-----------------|--------------|
| Operating temperature | -65/+165 | $^{\circ}$ C |
| Hermetic seal | NA | Atm.cm3/s |
| Panel leakage | NA | |

OTHER CHARACTERISTICS

Assembly instruction **NA**

Others :

* From 2 to 3 GHz

MECHANICAL CHARACTERISTICS

| | | |
|----------------------------|----------------|-------------|
| Center contact retention | | |
| Axial force – Mating end | 15 | N mini |
| Axial force – Opposite end | 15 | N mini |
| Torque | NA | N.cm mini |
| Recommended torque | | |
| Mating | NA | N.cm |
| Panel nut | 370 | N.cm |
| Mating life | 1000 | Cycles mini |
| Weight | 16.0900 | g |

Issue : 0844 B

In the effort to improve our products, we reserve the right to make changes judged to be necessary.

RADIALL 

Mouser Electronics

Authorized Distributor

Click to View Pricing, Inventory, Delivery & Lifecycle Information:

Radial:

[R142720700W](#) [R142720700](#)