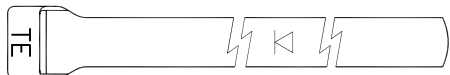


REVISIONS			
LTR	DESCRIPTION	DATE	APPROVED
A	INITIAL RELEASE PER ECO-12-001876	1-31-12	K. YEE
B	REVISED PER ECO-12-006284	4-09-12	K. YEE
C	REVISED PER ECO-12-013038	7-13-12	K. YEE

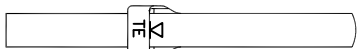
If this document is printed it becomes uncontrolled. Check for the latest revision



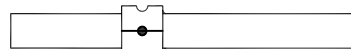
ONE STEP BAND – STRAIGHT



TWO STEP BANDING STRAP – STRAIGHT



ONE STEP BAND – PRE-COILED



TWO STEP BANDING STRAP – PRE-COILED


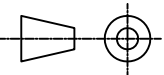
NOTES:

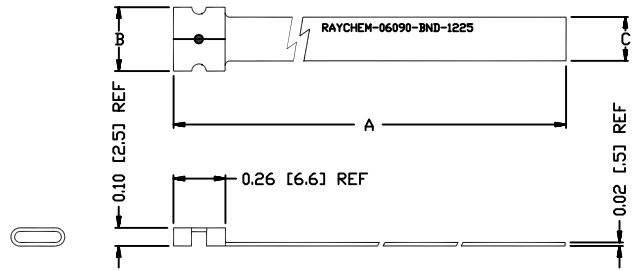
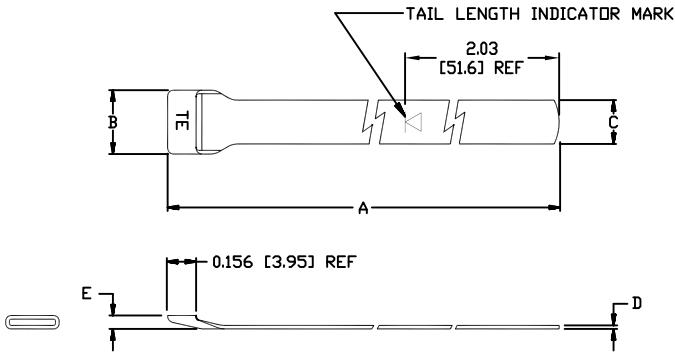
1. THE BAND IS CONSTRUCTED FROM 300 SERIES PASSIVATED CORROSION RESISTING STEEL.
2. THE PRODUCT SHALL BE IDENTIFIED ON THE PACKAGE LABEL.
3. PART MARKING:
ONE STEP BANDING STRAP WILL BE PERMANENTLY MARKED WITH TE LOGO.
TWO STEP BANDING STRAP WILL BE PERMANENTLY MARKED WITH RAYCHEM NAME, CODE IDENTIFICATION NUMBER AND BASIC PART NUMBER. (e.g. RAYCHEM-06090-BND-1225).
4. RECOMMENDED INSTALLATION TOOLS:
BND-0812X: IDEX CORPORATION MICRO TIE DEX II TOOL A30199 OR EQUIVALENT.
BND-1425X, BND-1825X: IDEX CORPORATION TIE DEX II TOOL A40199 OR EQUIVALENT.

BND-1225X, BND-1525X: DANIELS MANUFACTURING CORPORATION DBS-1100 OR EQUIVALENT.
5. THE INSTALLATION TOOL FOR ONE STEP BAND AND TWO STEP BAND ARE NOT INTERCHANGEABLE. CONTACT TYCO ELECTRONICS/RAYCHEM FOR FURTHER INFORMATION.
6. FOR PRE-COILED "P" OPTION BAND STRAPS, CONTACT TYCO ELECTRONICS/RAYCHEM FOR ORDERING INFORMATION.

© 2012 TYCO ELECTRONICS. ALL RIGHTS RESERVED

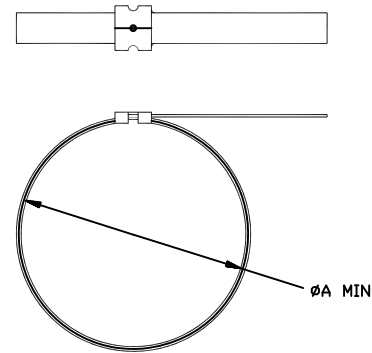
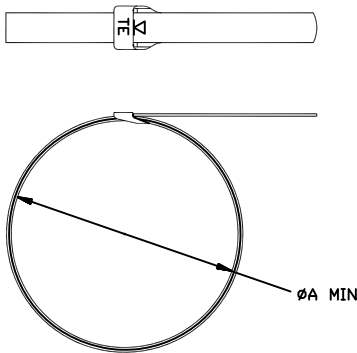
Raychem Adapters CUSTOMER DRAWING

DIMENSIONING AND TOLERANCING PER ASME Y14.5M (ISO STANDARDS) UNLESS OTHERWISE SPECIFIED DIMENSIONS ARE IN INCHES. METRIC DIMENSIONS ARE IN BRACKETS. DECIMALS .X ± --- [mm] .XX ± --- [mm] .XXX ± --- [mm] ANGLES .X ± ---	DRAWN IRT	DATE 1-31-12	 TE Connectivity			
	APPROVED	DATE				
	TYCO ELECTRONICS RESERVES THE RIGHT TO AMEND THIS DRAWING AT ANY TIME. USERS SHOULD EVALUATE THE SUITABILITY OF THE PRODUCT FOR THEIR APPLICATION.			TITLE		
	CAD NAME BND-XXXXX			CLAMPING BAND – STRAIGHT		
THIRD ANGLE PROJECTION 		SIZE A4	CODE IDENT. NO. 06090	DWG. NO. BND-XXXXX	REV C	
DO NOT SCALE THIS DWG				SHEET 1 OF 2		



ONE STEP BAND - STRAIGHT						
PART NUMBER	ENTRY SIZES	A±.06 [±1.5]	B±0.31 [±0.8]	C±.01 [±0.3]	D REF	E REF
BND-0812S	04 TO 14	8.12 [206.3]	.20 [5.0]	.12 [3.2]	.20 [0.5]	.05 [1.3]
BND-1425S	04 TO 28	14.26 [362.1]	.35 [8.9]	.25 [6.4]		.13 [3.3]
BND-1825S	30 TO 34	18.00 [457.2]				

TWO STEP BANDING STRAP - STRAIGHT					
PART NUMBER	ENTRY SIZES	A±.06 [±1.5]	B±.03 [0.8]	C±.01 [0.3]	D REF
BND-1225S	04 TO 22	12.00 [305.0]	.33 [8.3]	.25 [6.2]	.20 [0.5]
BND-1525S	24 TO 30	15.00 [381.0]			



ONE STEP BAND - PRE-COILED - 'P' OPTION		
PART NUMBER	ENTRY SIZES	ØA REF
BND-0812P	04 TO 14	.86 [21.8]
BND-1425P	04 TO 28	1.75 [44.5]
BND-1825P	30 TO 34	2.50 [63.5]

TWO STEP BANDING STRAP - PRE-COILED - 'P' OPTION		
PART NUMBER	ENTRY SIZES	ØA REF
BND-1225P	04 TO 22	1.50 [38.1]
BND-1525P	24 TO 30	2.00 [50.8]

If this document is printed it becomes uncontrolled. Check for the latest revision

Raychem Adapters

CUSTOMER DRAWING

SIZE A4	CODE IDENT. NO. 06090	DWG. NO. BND-XXXXX	REV C
DO NOT SCALE THIS DWG		SHEET 2 OF 2	