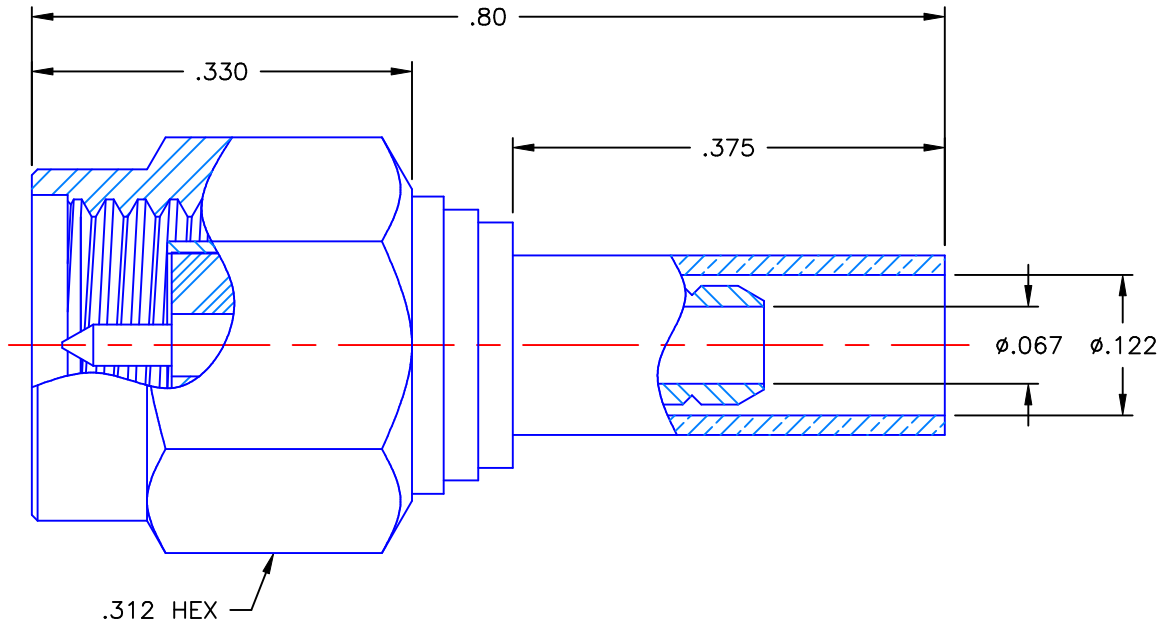


REVISIONS			
REV	DESCRIPTION	DATE	APPROVED
A	INITIAL RELEASE	08/05/10	A.D.M.





NOTES:

MATERIALS:

1. BODY & COUPLING NUT = STAINLESS STEEL PER ASTM A582, ALLOY 303, CONDITION "A".
2. INSULATOR = VIRGIN WHITE TEFLON PER ASTM D1710, GRADE 1, TYPE I, CLASS "B".
3. CONTACT & RETAINING RING = BERYLLIUM COPPER PER ASTM B196, ALLOY C17300, TEMPER TD04.
4. CRIMP SLEEVE = SEAMLESS LOWLEAD BRASS TUBE, ALLOY 330, SOFT ANNEAL TEMPER, .025/.060 GRAIN SIZE OR SEAMLESS COPPER TUBE PER ASTM B75, TYPE C12000, TEMPER: LIGHT ANNEAL O50 EXCEPT YIELD STRENGTH.
5. GASKET = SILICONE RUBBER PER ZZ-R-765, CLASS 2B, GRADE 65-75.
6. SHRINK SLEEVE = THERMOFIT SCL (NOT SHOWN).

FINISHES:

1. BODY & COUPLING NUT = PASSIVATE PER QQ-P-35, TYPE VI.
2. CONTACT = GOLD PLATE PER MIL-G-45204, TYPE II, CLASS 1, GRADE C, OVER .00010 TO .00020 STRESS FREE SULFAMATE NICKEL PER QQ-N-290.
3. CRIMP SLEEVE = NICKEL PLATE PER QQ-N-290, CLASS 1, GRADE G, EXCEPT .0001 TO .0002 THICK OVER .00005 TO .0001 THICK COPPER PER MIL-C-14550.

UNLESS OTHERWISE SPECIFIED DIMENSIONS ARE IN INCHES TOLERANCES ON		DWN: A.D.M.	DATE: 08/05/10	 <p>Property of Radiall This document cannot be reproduced or communicated to a third party without prior written permission of RADIALL.</p>
DECIMAL	ANGLE	CHKD: D.N.	DATE: 08/05/10	
		APVD: J.M.	DATE: 08/05/10	
REFERENCE:		MATERIALS & FINISHES: SEE NOTES		<p>SMA STRAIGHT PLUG CRIMP TYPE FOR RG-316 &amp; SIMILAR CABLES</p>
ORIGINATOR: A.D.M. DATE: 08/05/10		SIZE: A	FSCM NO.: 19505	DWG. NO.: 9001-9023-003
		SCALE: 6:1	THIRD ANGLE PROJECTION 	
				REV: A SHEET 1 OF 1

9001-9023-003

# Mouser Electronics

Authorized Distributor

Click to View Pricing, Inventory, Delivery & Lifecycle Information:

Radial:

[9001-9023-003](#) [9001-9023-003/2523-174-1/2105-1921-303](#)