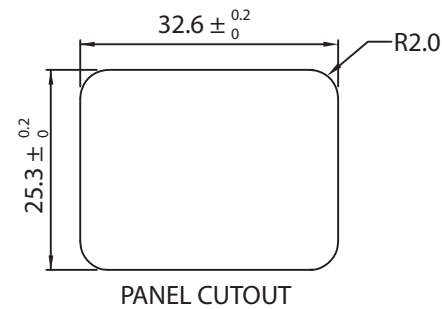
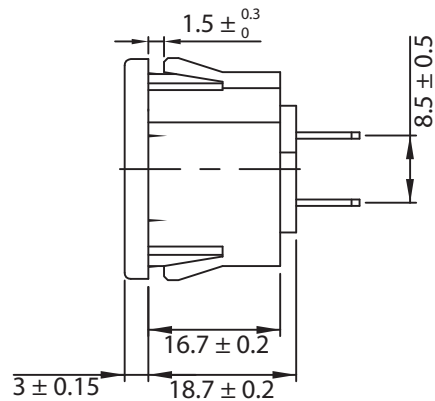
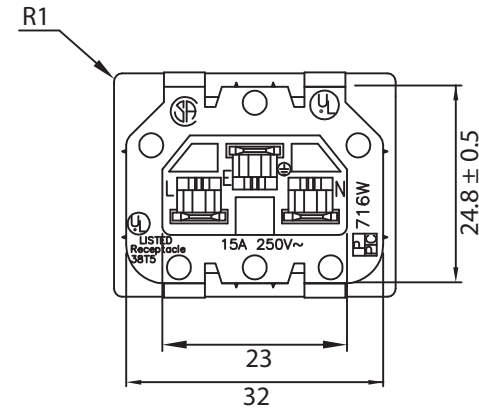
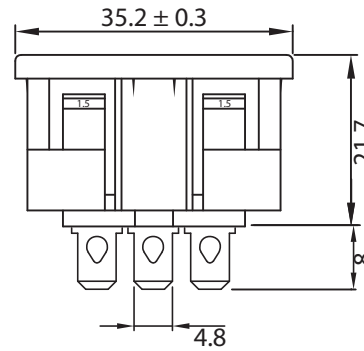
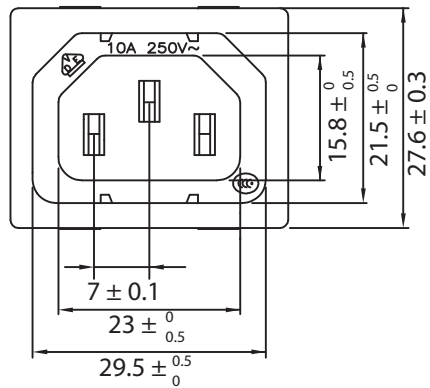


THESE DRAWINGS ARE THE PROPERTY OF QUALTEK ELECTRONICS AND NOT TO BE REPRODUCED FOR OR COMMUNICATED TO A THIRD PARTY WITHOUT THE EXPRESS WRITTEN PERMISSION OF AN OFFICER OF QUALTEK ELECTRONICS.

REVISION			
REV.	DESCRIPTION	DATE	APPROVED
B	RoHS Compliancy	06-01-06	DP
C	Updated Specifications	08-29-08	LY
D	Updated Specifications and Approvals	05-05-14	LY



NOTES:

MATERIAL:

HOUSING: PC  
CONTACTS: BRASS, TIN PLATED

RATING:

UL, CSA: 15A 250V AC  
VDE, CCC: 10A 250V AC  
APPROVALS: UL, CSA, VDE, CCC  
PANEL THICKNESS: 1.5mm  
RoHS COMPLIANT

**CONTROLLED**

Dim range (mm)	Tolerance +/- (mm)	Qualtek Electronics Corp. PPC DIVISION		
		Part Number: 716W-15/10		RoHS Compliant
0-1	0.15	Description: AC RECEPTACLE		
1-6	0.20			
6-18	0.30			
18-50	0.50			
50-120	0.70	Drawn / Date	UNIT: mm	REV. D
120-250	0.90	B.ZHANG	Checked / Date	Approved / Date
250-500	1.20	10-01-02	10-01-02	JJH / 10-01-02

# Mouser Electronics

Authorized Distributor

Click to View Pricing, Inventory, Delivery & Lifecycle Information:

[Qualtek:](#)

[716W-15/10](#)