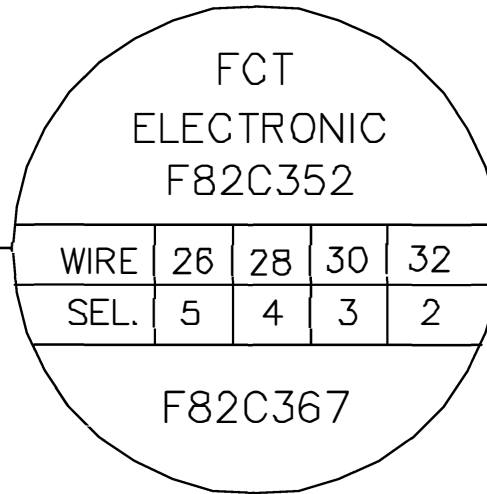
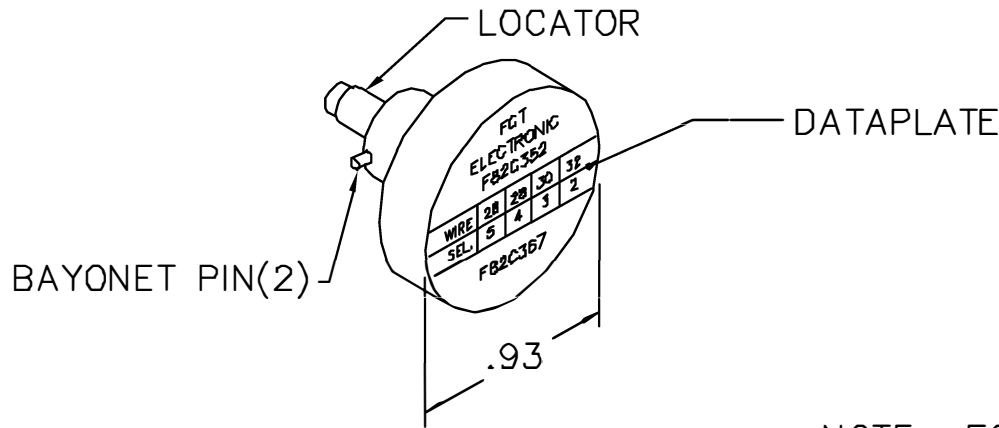
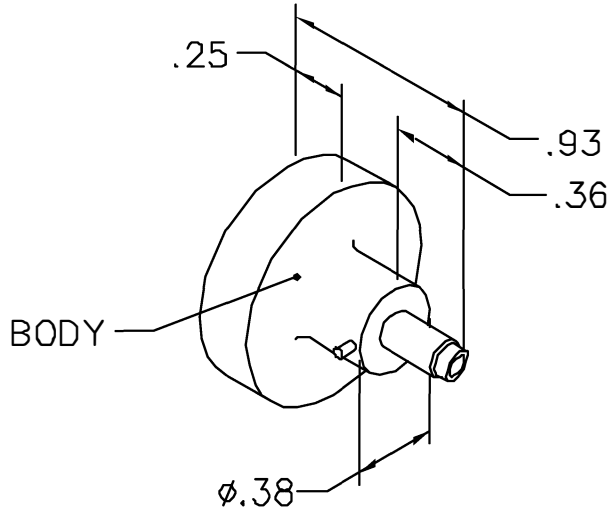


REVISIONS				
REV. SYM.	E.C.O. NUMBER	DESCRIPTION	BY DATE	APP'D DATE
2		REDRAWN NO CHANGES	AAM 2-16-99	RRR 2-16-99

**UNCONTROLLED DOCUMENT
WILL NOT BE UPDATED**



NOTE: FOR USE WITH DANIELS CRIMP TOOLS
ACCOMMODATING "K" SERIES POSITIONERS

LOCATOR	
HOLE DIMENSIONS	ADDITIONAL FEATURES
ϕ .043 ∇ .494	ϕ .070 ∇ .461

RESTRICTED & CONFIDENTIAL

CONFIDENTIAL PROPERTY OF DANIELS MANUFACTURING CORP. NOT TO BE DISCLOSED TO OTHERS, REPRODUCED OR USED FOR ANY OTHER PURPOSE, EXCEPT AS AUTHORIZED IN WRITING BY DANIELS MANUFACTURING.
MUST BE RETURNED TO DANIELS MANUFACTURING CORP. ON COMPLETION OF ORDER OR OTHER PURPOSE FOR WHICH LENT.

DO NOT SCALE DRAWING

DRN. A. MOO-YOUNG	DATE 2-16-99
CHK'D. RRR	DATE 2-16-99
APP'D.	DATE
APP'D.	DATE



DANIELS MANUFACTURING CORP.
ORLANDO, FLORIDA
CAGE 11851

TITLE ENVELOPE DRAWING POSITIONER			
WHERE USED: AFMB			
SIZE A	SCALE NTS	GAD P/N K1003-ENV	SHEET OF 1 1
POSTING	P/N K1003-ENV		REV. 2

Mouser Electronics

Authorized Distributor

Click to View Pricing, Inventory, Delivery & Lifecycle Information:

[Daniels Manufacturing:](#)

[K1003](#)