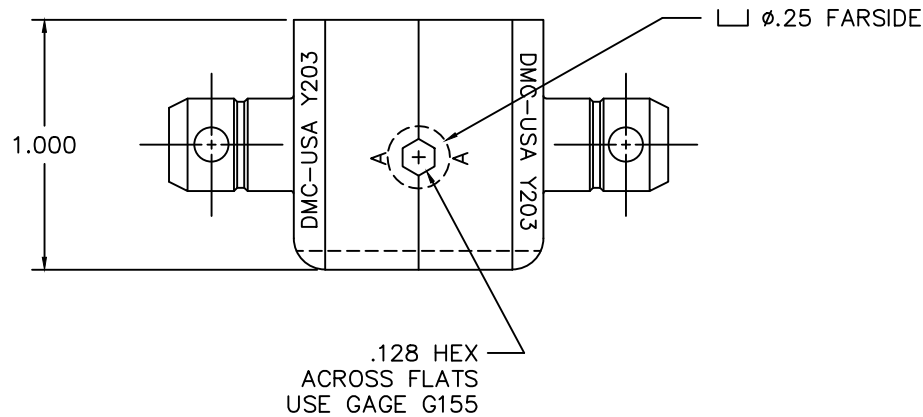
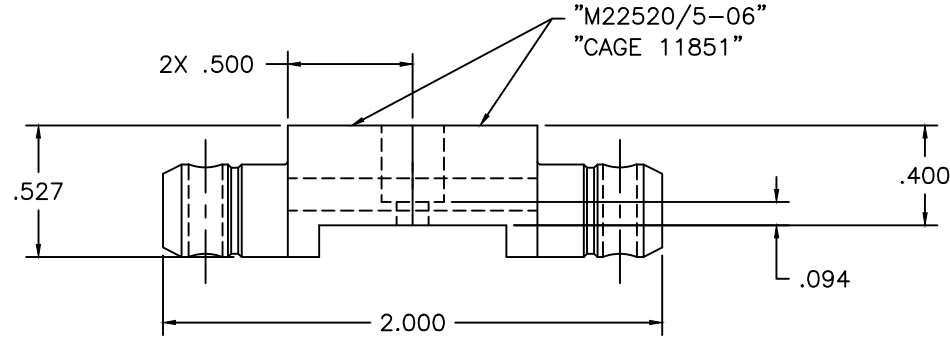



REVISIONS				
REV. SYM.	E.C.O. NUMBER	DESCRIPTION	BY DATE	APP'D DATE
1		ORIGINAL RELEASE	DH 4/29/88	TS 4/29/88



**UNCONTROLLED DOCUMENT
WILL NOT BE UPDATED**

RESTRICTED & CONFIDENTIAL		MATERIAL		ITEM	PART NO.	QTY.	DESCRIPTION/REMARKS		
CONFIDENTIAL PROPERTY OF DANIELS MANUFACTURING CORP. NOT TO BE DISCLOSED TO OTHERS, REPRODUCED OR USED FOR ANY OTHER PURPOSE, EXCEPT AS AUTHORIZED IN WRITING BY DANIELS MANUFACTURING. MUST BE RETURNED TO DANIELS MANUFACTURING CORP. ON COMPLETION OF ORDER OR OTHER PURPOSE FOR WHICH LENT.		HEAT TREAT		DRN.	DH	DATE	 DANIELS MANUFACTURING CORP. ORLANDO, FLORIDA CAGE 11851		
				CHK'D.	TS	DATE			
				APP'D.	AAM	DATE			
				APP'D.		DATE			
DO NOT SCALE DRAWING		FINISH		NOTE:				TITLE	
				THIS DRAWING IS AN OUTLINE DRAWING OF THE RESPECTIVE DMC PART NUMBER INDICATED. ACTUAL DMC PART NUMBER IS DRAWING NUMBER WITHOUT THE "-ENV" SUFFIX.				DIE SET ENVELOPE DRAWING	
				WHERE USED:	M22520/5-06	SIZE	SCALE	CAD P/N	SHEET OF
				POSTING		B	2X	Y203-ENV	1 1
						DWG. NO.		REV.	
						Y203-ENV		1	

Mouser Electronics

Authorized Distributor

Click to View Pricing, Inventory, Delivery & Lifecycle Information:

[Daniels Manufacturing:](#)

[Y203](#) [30579](#)