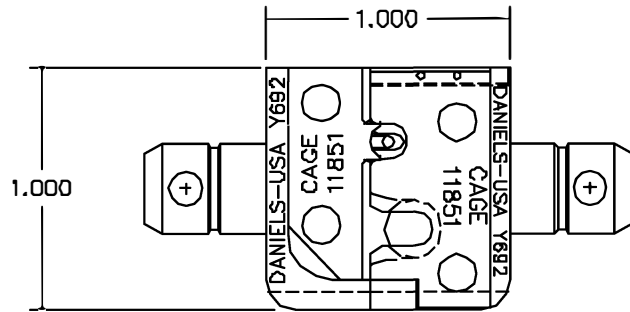
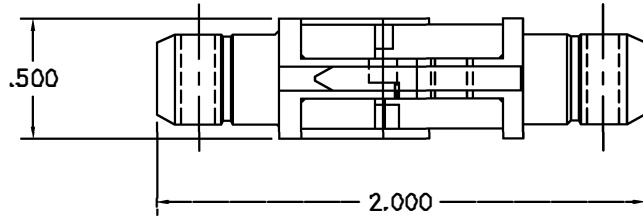
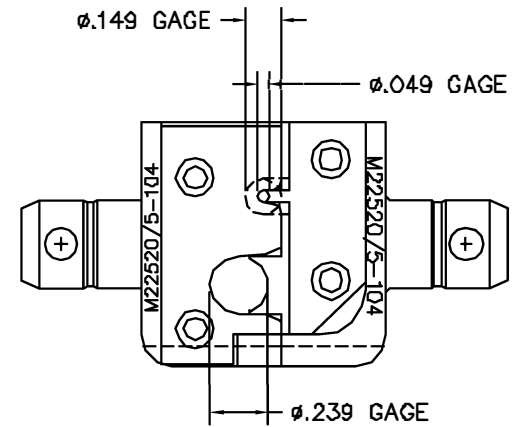


REVISIONS				
REV. SYM.	E.C.O. NUMBER	DESCRIPTION	BY DATE	APP'D DATE
1		ORIGINAL RELEASE	DVC 8/20/84	DE 8/24



FRONT VIEW



BACK VIEW

UNCONTROLLED DOCUMENT
WILL NOT BE UPDATED

RESTRICTED & CONFIDENTIAL CONFIDENTIAL PROPERTY OF DANIELS MANUFACTURING CORP. NOT TO BE DISCLOSED TO OTHERS, REPRODUCED OR USED FOR ANY OTHER PURPOSE, EXCEPT AS AUTHORIZED IN WRITING BY DANIELS MANUFACTURING. MUST BE RETURNED TO DANIELS MANUFACTURING CORP. ON COMPLETION OF ORDER OR OTHER PURPOSE FOR WHICH LENT.	MATERIAL HEAT TREAT FINISH	ITEM DRN	PART NO. DVC	QTY. 	DESCRIPTION/REMARKS DATE 8/20/84
		APPL. 	DATE 	TITLE DMC DANIELS MANUFACTURING CORP. ORLANDO, FLORIDA CAGE 11851	
DO NOT SCALE DRAWING	NOTE: THIS DRAWING IS AN OUTLINE DRAWING OF THE RESPECTIVE DMC PART NUMBER INDICATED. ACTUAL DMC PART NUMBER IS DRAWING NUMBER WITH SUFFIX THE "-ENV" SUFFIX.	APPL. 	DATE 	WHERE USED: SIZE B SCALE 2/1 CAD P/N Y692-ENV SHEET OF 1 1	
		POSTING	DWG. NO. Y692-ENV	REV. 1	

Mouser Electronics

Authorized Distributor

Click to View Pricing, Inventory, Delivery & Lifecycle Information:

[Daniels Manufacturing:](#)

[Y692](#)