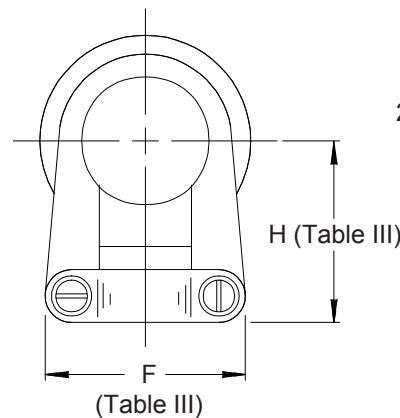
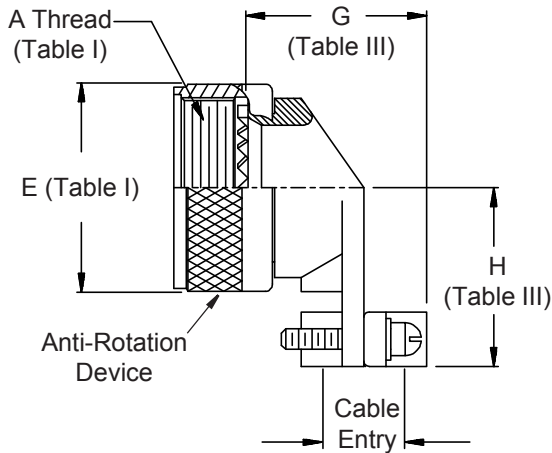
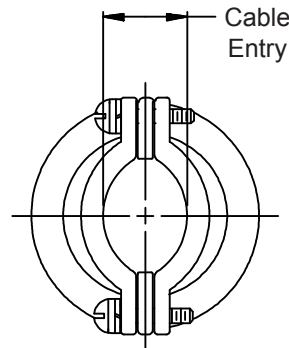
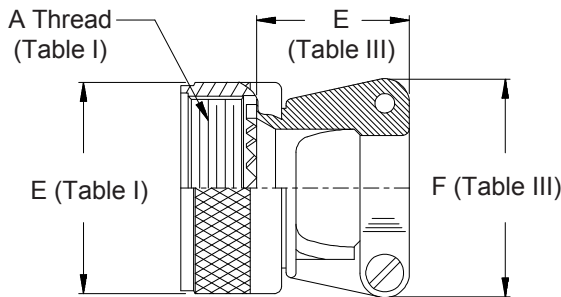
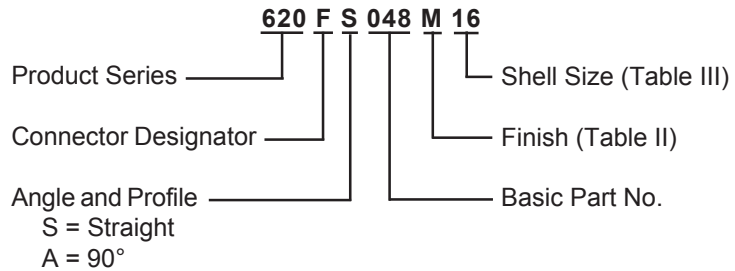


620-048
Strain Relief
Self-Locking Rotatable Coupling - Straight and 90°



**CONNECTOR
DESIGNATOR
F-H-L-S**

**SELF-LOCKING
ROTATABLE
COUPLING**



See inside back cover fold-out or pages 13 and 14 for Tables I and II.

1. Cable Entry is defined as the accommodation entry for the wire bundle or cable. Dimensions are not intended for inspection criteria.
2. Metric dimensions (mm) are indicated in parentheses.

TABLE III: CABLE ENTRY

| Shell Size | E Max | F Max | G Max | H Max | Cable Entry | |
|------------|--------------|--------------|--------------|--------------|-------------|-------------|
| | | | | | Closed | Open |
| 08/09 | .830 (21.1) | .850 (21.6) | .704 (17.9) | .808 (20.5) | .098 (2.5) | .234 (5.9) |
| 10/11 | .900 (22.9) | .900 (22.9) | .786 (20.0) | .867 (22.0) | .153 (3.9) | .234 (5.9) |
| 12/13 | .950 (24.1) | 1.100 (27.9) | .979 (24.9) | .929 (23.6) | .190 (4.8) | .328 (8.3) |
| 14/15 | .950 (24.1) | 1.150 (29.2) | 1.039 (26.4) | .992 (25.2) | .260 (6.6) | .457 (11.6) |
| 16/17 | .990 (25.2) | 1.300 (33.0) | 1.188 (30.2) | 1.056 (26.8) | .283 (7.2) | .614 (15.6) |
| 18/19 | 1.070 (27.2) | 1.500 (38.1) | 1.300 (33.0) | 1.233 (31.3) | .325 (8.3) | .634 (16.1) |
| 20/21 | 1.120 (28.5) | 1.600 (40.6) | 1.425 (36.2) | 1.296 (32.9) | .343 (8.7) | .698 (17.7) |
| 22/23 | 1.240 (31.5) | 1.700 (43.2) | 1.550 (39.4) | 1.358 (34.5) | .381 (9.7) | .823 (20.9) |
| 24/25 | 1.270 (32.3) | 1.800 (45.7) | 1.675 (42.5) | 1.420 (36.1) | .418 (10.6) | .853 (21.7) |

Mouser Electronics

Authorized Distributor

Click to View Pricing, Inventory, Delivery & Lifecycle Information:

Glenair:

[620AA048M28](#) [620HS048B13](#) [620HS048B17](#) [620HS048B19](#) [620HS048M11](#) [620HS048M13](#) [620HS048M15](#)
[620HS048M19](#) [620HS048M21](#) [620HS048M23](#) [620HS048M25](#) [620HS048N11](#) [620HS048N13](#) [620HS048N17](#)
[620HS048N19](#) [620HS048N21](#) [620HS048N23](#) [620HS048NF09](#) [620HS048NF11](#) [620HS048NF13](#) [620HS048NF19](#)
[620HS048NF21](#) [620HS048NF23](#) [620HS048NF25](#) [620HS048NF25-73](#) [620HS048Z109](#) [620HS048Z115](#)
[620HS048N25](#) [620HS048B09](#) [620HS048B11](#) [620HS048B15](#) [620HS048B21](#) [620HS048M25-715](#) [620HS048N09](#)
[620FA048NF08](#) [620AA020C20A](#) [620AA004M14](#) [620AS046Z136](#)