

D38999
Series II

M24308

M55302

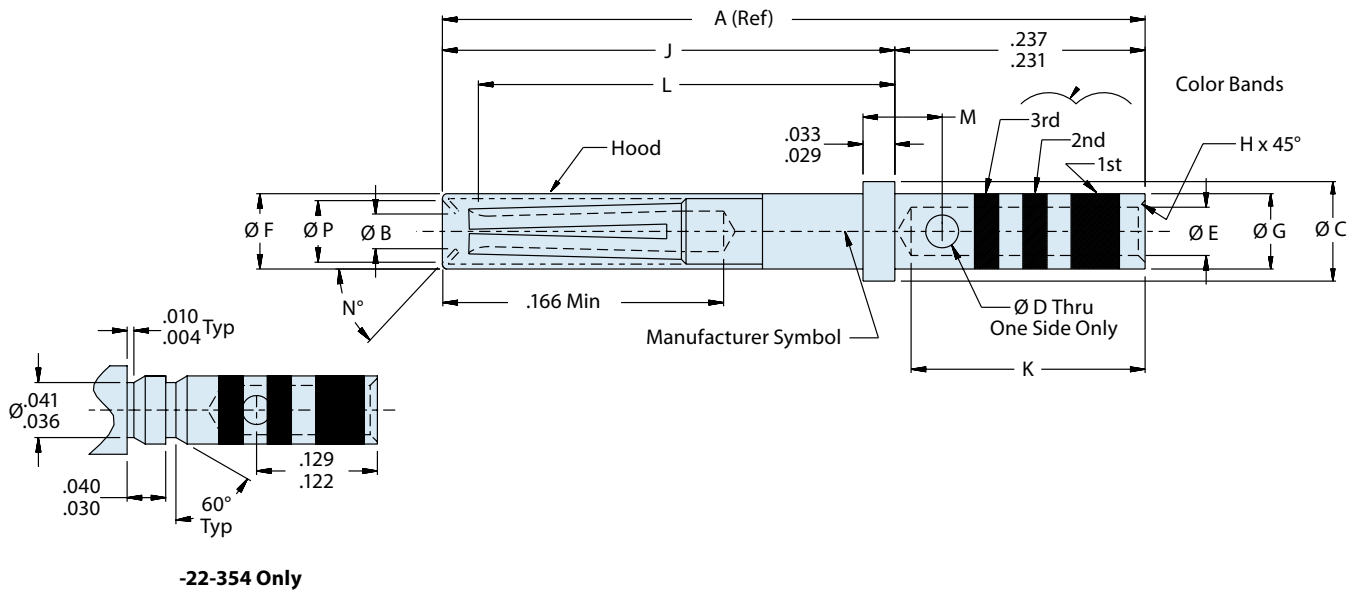
M83733

Standard Socket Crimp Contact for MIL-DTL-38999 Series II Connectors

A



| Mating End Size | Wire Accomodation | Military Part Number | Glenair Part Number |
|-----------------|-------------------|----------------------|---------------------|
| 22 | 22-28 AWG | M39029/57-354 | 850-003-22-354 |
| 20 | 20-24 AWG | M39029/57-357 | 850-003-20-357 |
| 16 | 16-20 AWG | M39029/57-358 | 850-003-16-358 |
| 12 | 12-14 AWG | M39029/57-359 | 850-003-12-359 |


Material and Finish*

Pin Contact: Copper Alloy/Gold Plated
 Socket Contact: Copper Alloy/Gold Plated
 Socket Contact Hood: Passivated Stainless Steel

* See pages A-4 and A-5 for detailed material specifications

M39029/57
850-003
Standard Duty Electrical Socket Contact



AS39029

A

TABLE I: CONTACT DIMENSIONS

| Size | Part Number | Military Number | A (ref) | ø B Min. | ø C | ø D | ø E | ø F Max. | ø G | H | J |
|------|----------------|-----------------|---------|----------|--------------|--------------|----------------|----------|--------------|--------------|--------------|
| 22 | 850-003-22-354 | M39029/57-354 | .518 | .031 | .062 .060 | .022 .018 | .0355 .0335 | .062 | .048 .046 | .005 .003 | .289 .279 |
| 20 | 850-003-20-357 | M39029/57-357 | .518 | .0415 | .094 .091 | .032 .026 | .048 .046 | .078 | .070 .068 | .010 .005 | .289 .279 |
| 16 | 850-003-16-358 | M39029/57-358 | .518 | .064 | .130 .127 | .042 .036 | .068 .066 | .113 | .103 .101 | .010 .005 | .289 .279 |
| 12 | 850-003-12-359 | M39029/57-359 | .518 | .0955 | .182 .179 | .042 .036 | .102 .098 | .161 | .151 .148 | .016 .005 | .289 .279 |

TABLE I (Continued): CONTACT DIMENSIONS

| Size | Part Number | Military Number | K Min. | L Min. | M | N° | ø P Min. | Color Bands | | |
|------|----------------|-----------------|--------|--------|--------------|----------|----------|-------------|-------|--------|
| | | | | | | | | 1st | 2nd | 3rd |
| 22 | 850-003-22-354 | M39029/57-354 | .141 | .248 | - | 50 44 | .047 | Orange | Green | Yellow |
| 20 | 850-003-20-357 | M39029/57-357 | .209 | .248 | .078 .072 | 47 28 | .053 | Orange | Green | Violet |
| 16 | 850-003-16-358 | M39029/57-358 | .209 | .248 | .088 .082 | 47 28 | .084 | Orange | Green | Gray |
| 12 | 850-003-12-359 | M39029/57-359 | .209 | .248 | .088 .082 | 47 28 | .118 | Orange | Green | White |

TABLE II: TOOL COMPATIBILITY

| Size | Part Number | Military Number | AWG Handling | Crimp Tool | Positioner | Insertion Tool | Extraction Tool |
|------|----------------|-----------------|----------------|---|--|-----------------------------|-----------------------------|
| 22 | 850-003-22-354 | M39029/57-354 | 22, 24, 26, 28 | M22520/2-01 M22520/7-01 | M22520/2-06 M22520/7-06 | M81969/14-01 M81969/8-01 | M81969/14-01 M81969/8-02 |
| 20 | 850-003-20-357 | M39029/57-357 | 20, 22, 24 | M22520/7-01 M22520/2-01 M22520/1-01 | M22520/7-08 M22520/2-10 M22520/1-04 (Red) | M81969/8-05 M81969/14-02 | M81969/8-06 M81969/14-02 |
| 16 | 850-003-16-358 | M39029/57-358 | 16, 18, 20 | M22520/1-01 M22520/7-01 | M22520/1-04 (Blue) M22520/7-04 | M81969/8-07 M81969/14-03 | M81969/8-08 M81969/14-03 |
| 12 | 850-003-12-359 | M39029/57-359 | 12, 14 | M22520/1-01 | M22520/1-04 (Yellow) | M81969/8-09 M81969/14-04 | M81969/8-10 M81969/14-04 |

Mouser Electronics

Authorized Distributor

Click to View Pricing, Inventory, Delivery & Lifecycle Information:

[Glenair:](#)

[M39029/57-359](#) [M39029/57-354](#) [M39029/57-357](#) [M39029/57-358](#)