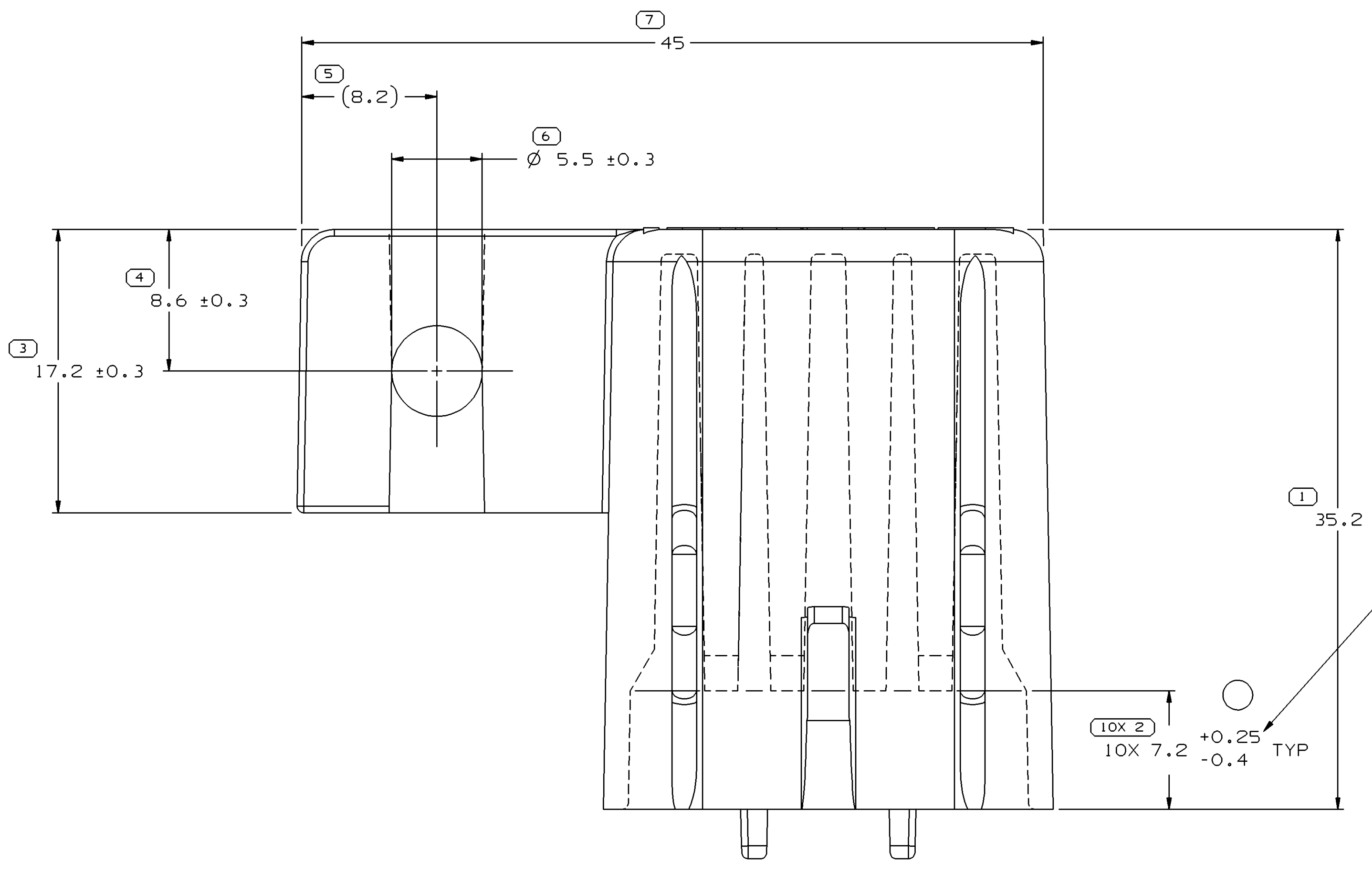
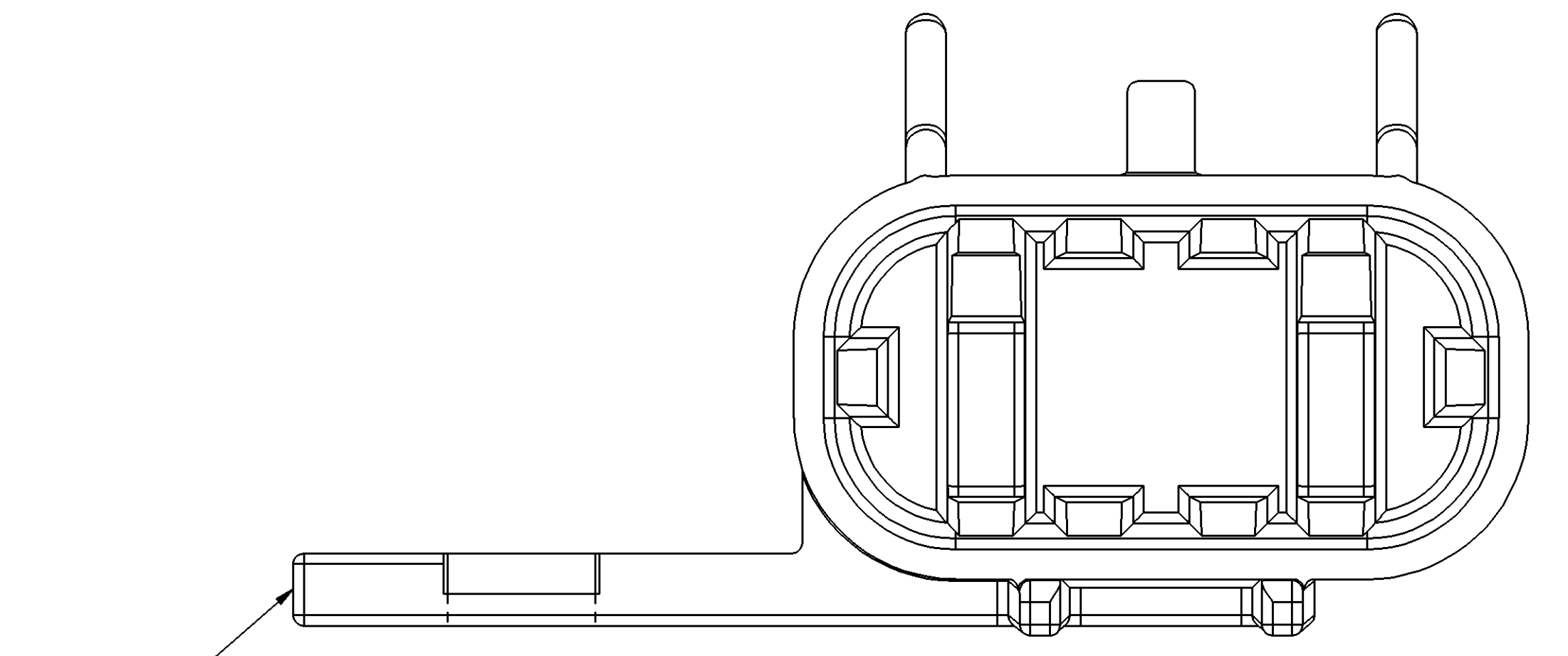


SYMBOL DEFINITION		MISSING SYMBOLS	
A DIMENSION WITHOUT AN INSPECTION REPORT SYMBOL DOES NOT REQUIRE INSPECTION. IT MAY BE CONTROLLED ON THE INDIVIDUAL COMPONENT DRAWING.	TOTAL NO OF INSPECTIONS REQUIRED	NO MISSING SYMBOL NUMBER	
	21		
	LAST NO. USED		
	12		

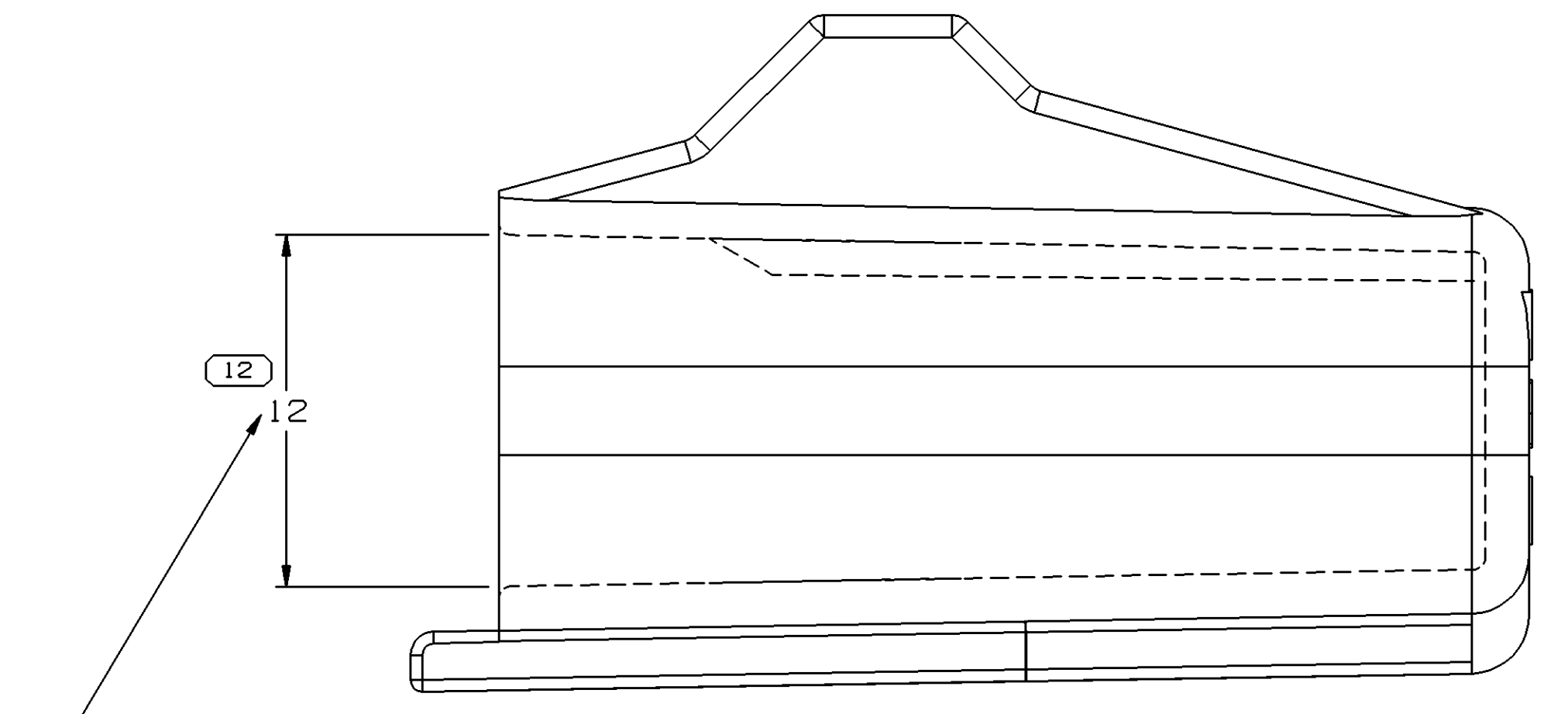
DWO STATUS					REVISION HISTORY			AUTH	DR	APVD
DATE	STG	REV	N/P	CHG	ZONE					
05MR02	R	01	-	-		ALL PARTS - CREATED PD, ADDED NOTE AND REVISED MAT'L SPEC	222189	RH	RH	ET
28JUN05	R	02	-	-		ALL PARTS - REDRAWN TO LATEST PD FORMAT	269490	AMG	AMG	GD
16NOV05	R	03	-	-		ALL PARTS - DIM #2 WAS 10X 7.2 ±0.2 TYP	274578	ACB	FRG	GD
16NOV05	R	04	-	-		ALL PARTS - REVISED NOTE #2 AND DIM #2 WAS 10X 7.2 +0.25/-0.35 TYP	274762	JAR	FRG	GD



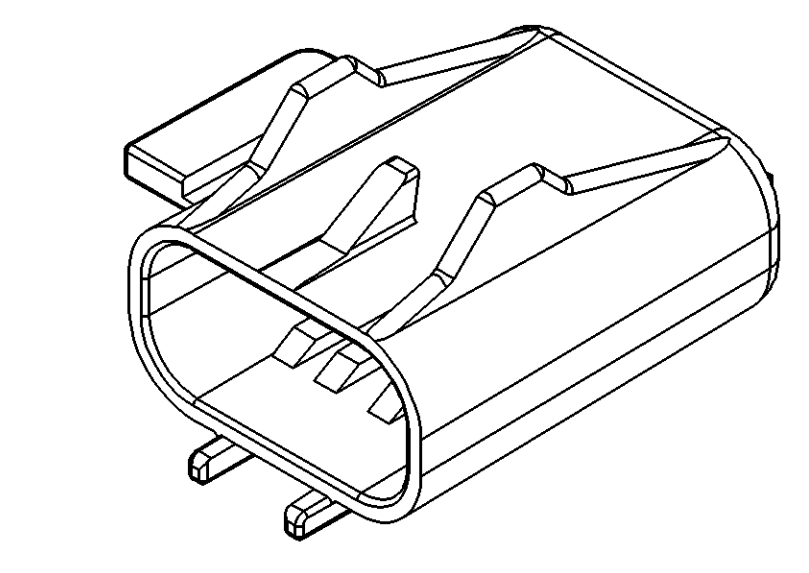
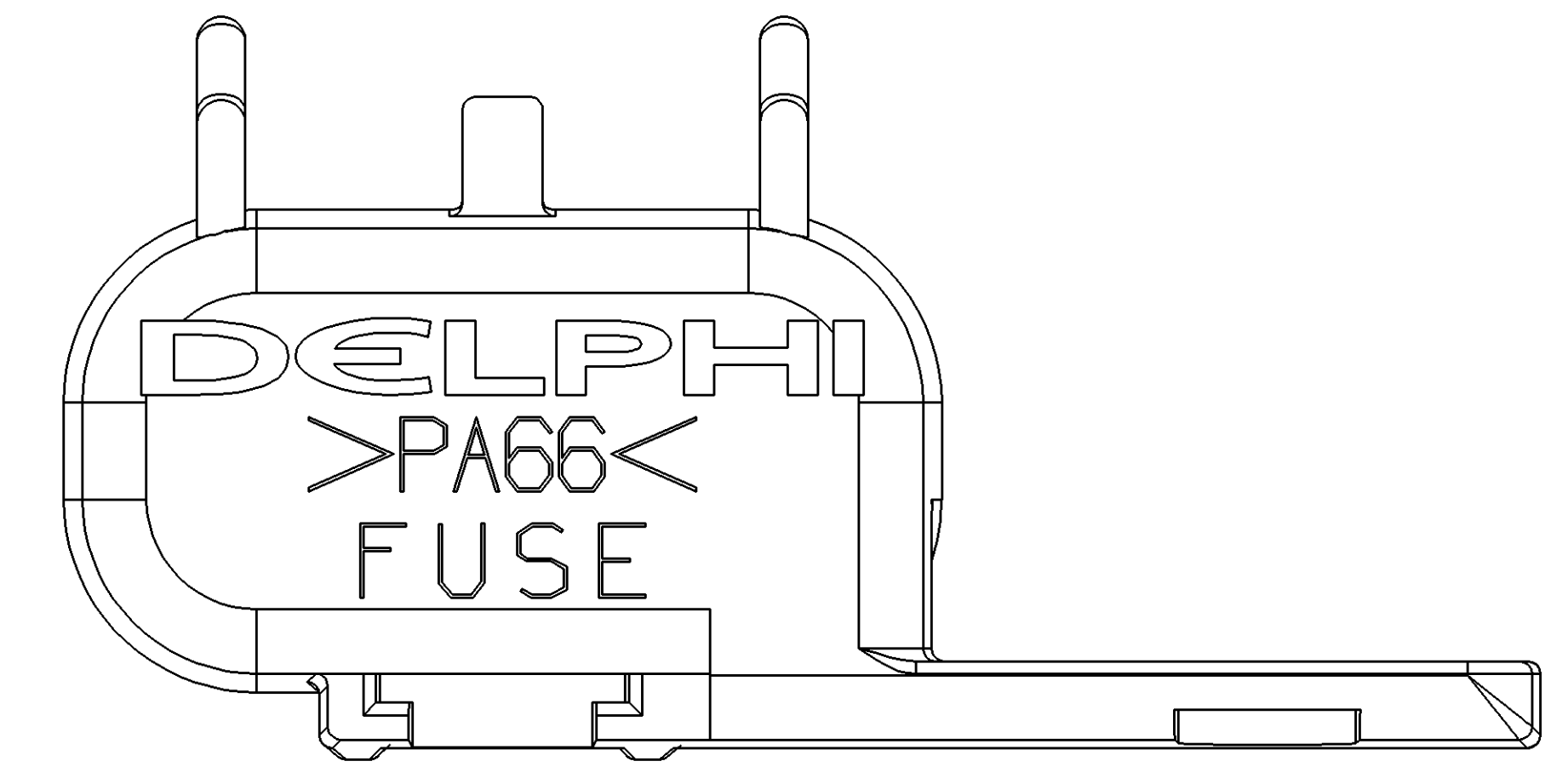
THIS AREA MUST BE FREE OF DEFECTS ALL AROUND FOR SEALING.



OPPOSING DRAFT ANGLES ACCEPTABLE IN THIS AREA

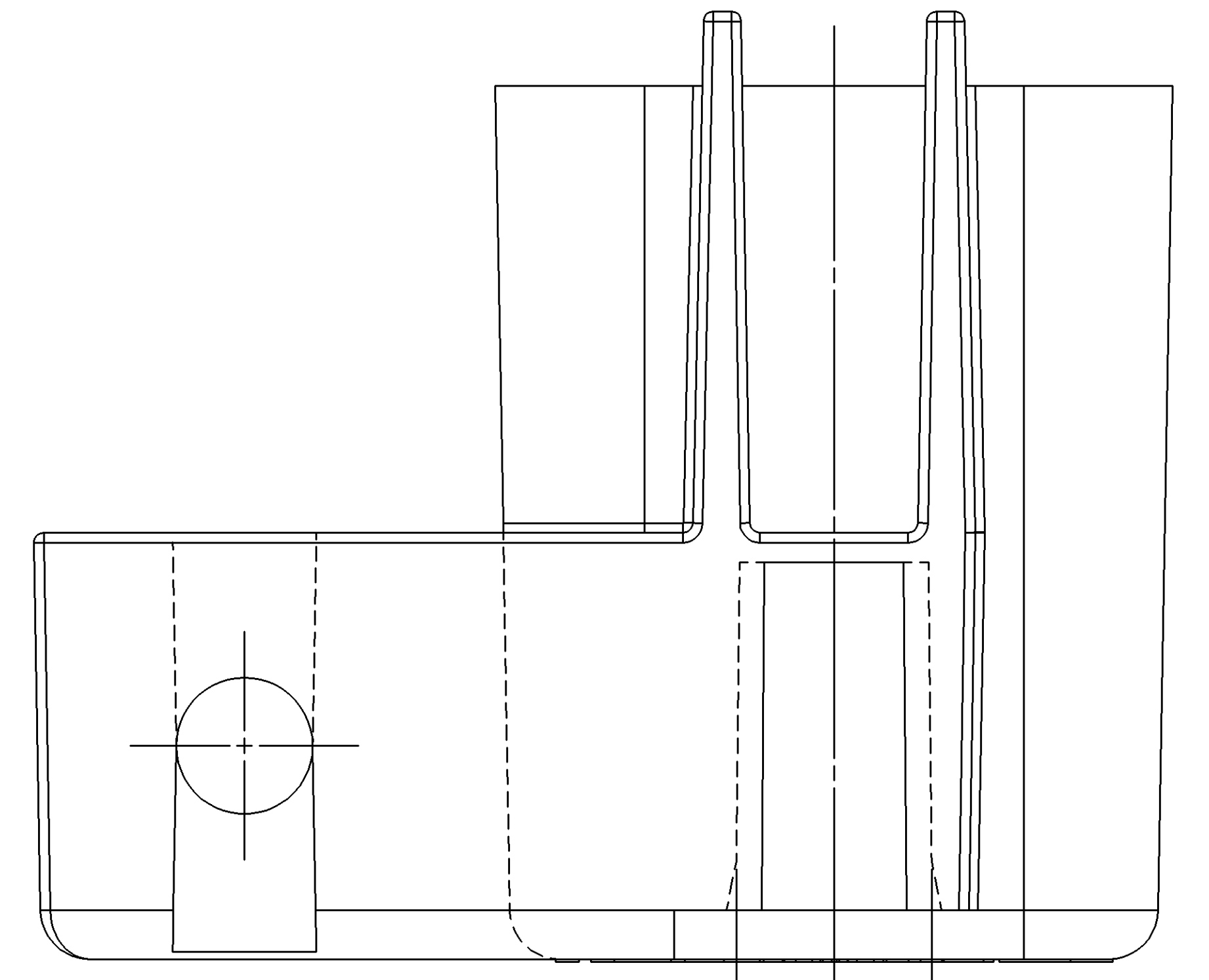


11.5 MIN ALLOWABLE DUE TO BOW



VIEW SCALE DOES NOT REFLECT ACTUAL PART SIZE

- NOTES
- UNLESS OTHERWISE SPECIFIED AND/OR INDICATED: DIMENSIONS ARE TO FACE OF VIEW SHOWN AND AUTOMATICALLY ROUNDED BY COMPUTER FOR INSPECTION (SEE MATH MODEL FOR PRECISE DIMENSIONS). FOR ALL OTHER DIMENSIONS NOT SHOWN BUT REQUIRED FOR TOOL BUILD, SEE MATH MODEL FOR PRECISE TOOL PATH DATA.
 - MATERIAL RECYCLING CODE PER ISO 11469. (2.3)X(0.1) RAISED CHARACTERS AS SHOWN TO BE LOCATED ON ANY EXTERIOR SURFACE. OPTIONAL CONSTRUCTION TO BE NO MATERIAL RECYCLING CODE.
 - THIS PART IS NOT CONTROLLED FOR AUTOMATIC ASSEMBLY.
 - REFERENCE MATING COMPONENTS OR EQUIVALENT CONNECTOR & SEAL ASM 12033769
 - (2.3)X(0.1) DELPHI CORPORATE BRAND TO BE LOCATED ON ANY EXTERIOR SURFACE, PREFERABLY VISIBLE AT FINAL ASSEMBLY. OPTIONAL CONSTRUCTION FOR EXISTING TOOLING MAY BE "PED".



PART NO	REV	N/P	STATUS	MATERIAL SPECIFICATION AND COLOR	VOLUME CM ³
12146104	A4	-		M3592004 PA66 HS 1M RED	6.516
12089271	D4	-		M3592006 PA66 HS 1M YEL	6.516
12033731	D5	-		M3592001 PA66 HS 1M BLK	6.516

DIMENSIONAL RANGE (MM)		CHART ET	
FROM	TO	30	400
10.151	10.2	±0.3	±1
10.6	10.8	±1	±1.2
ANGULAR TOLERANCE 12°			

DWO TYPE		PART DRAWING	
STYLE	SEE CHART	DISTR CODE	D
UNLESS OTHERWISE SPECIFIED THIS DOCUMENT IS IN ACCORDANCE WITH ASME Y14.5M-1994 AS MODIFIED BY THE DIMENSIONING AND TOLERANCING ADDENDUM-2001. SEPARATE PATTERNING OF FEATURES MAY BE OBTAINED SEPARATELY. REWORKING OF DATUM REFERENCES.			
ALL DIMENSIONS ARE IN MILLIMETERS			
REFERENCE			

DELPHI
DELPHI PACKARD ELECTRIC SYSTEMS
WARREN, OH

DR J. HOUGELMAN	DATE 31AUB8
APVD1 R. HERMOSILLO	05MR02
APVD2 R. HERMOSILLO	05MR02
APVD3 E. TRACEY	06MR02
APVD4	
APVD5	

MATERIAL REC CHART

SUBSTANCES OF CONCERN AND RECYCLED CONTENT PER DELPHI 10949001

DRAWING NAME: TAXI COV FUSE

DRAWING NUMBER: 12089272

SIZE A0 SCALE 5:1 FRAME NO 1 OF 1 SHEET NO 1 OF 1 REV N/P R 04