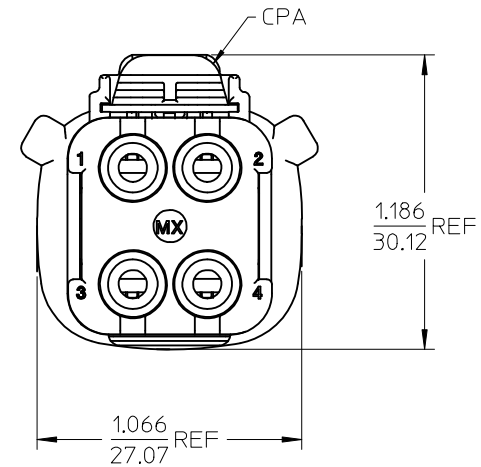
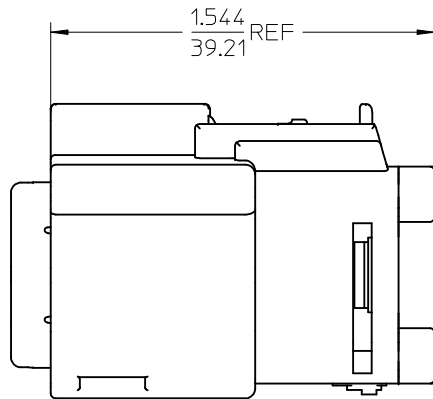
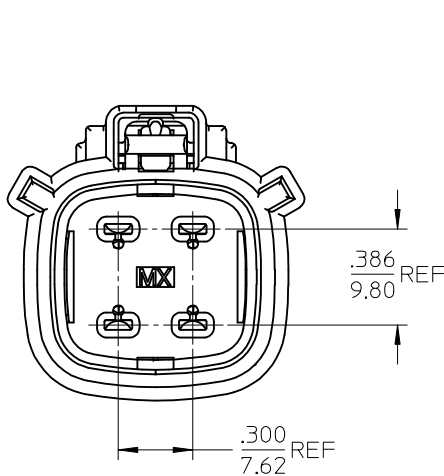
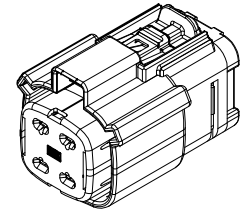


10	9	8	7
MATERIAL NUMBER	UL WIRE AWG	CPA	HOUSING COLOR
194320001	10-12	YES	BLACK
194320002	8	YES	BLACK
194320003	10-12	NO	BLACK
194320004	8	NO	BLACK
194320027	10-12	YES	GREEN
194320028	10-12	NO	GREEN
194320029	10-12	YES	GRAY
194320030	10-12	NO	GRAY

(A)



NOTES:

1. ASSEMBLY PACKAGED PER PK-19432-001
2. USE CONNECTOR WITH FEMALE CRIMP TERMINAL: SERIES 19434.

ADD COLOR OPTIONS EC NO: IFC2017-0429 DRAWN BY: B.RUPERT 2016/11/08 CHKD: J.MURPHY 2016/11/21 APPR: J.MURPHY 2016/11/21	QUALITY SYMBOLS	GENERAL TOLERANCES (UNLESS SPECIFIED)	DIMENSION STYLE		SCALE	DESIGN UNITS	THIRD ANGLE PROJECTION
	▼=0 ▽=0	mm      INCH 4 PLACES ± --- ± --- 3 PLACES ± --- ± .015 2 PLACES ± 0.38 ± --- 1 PLACE ± --- ± ---	IN/MM		2:1	INCH	
		ANGULAR ± 1 °	DRAWN BY	DATE	TITLE		
			B. RUPERT	04/09/29	MX150L 4 WAY RECEPTACLE ASSEMBLY		
		DRAFT WHERE APPLICABLE MUST REMAIN WITHIN DIMENSIONS	CHECKED BY	DATE	MATERIAL NO.		
			JPAWLICK	04/09/29	SD-19432-002		
			APPROVED BY	DATE	DOCUMENT NO.		
			R. DEROSS	04/09/29	SD-19432-002		
			MATERIAL NO.		SHEET NO.		
			SEE CHART		1 OF 1		
			THIS DRAWING CONTAINS INFORMATION THAT IS PROPRIETARY TO MOLEX INCORPORATED AND SHOULD NOT BE USED WITHOUT WRITTEN PERMISSION				