

NOTES:

1. MATERIAL AND FINISH:

BODY - BRASS, GOLD PLATING
 CONTACT - BRASS, GOLD PLATING
 INSULATOR - PTFE, NATURAL

2. ELECTRICAL:

A. IMPEDANCE: 50 OHM, NOMINAL
 B. FREQUENCY RANGE: 0-4 GHz
 C. VSWR (RETURN LOSS): 1.200 (-20.8 dB) MAX.
 D. D.W.V: 1000 VRMS. MIN.

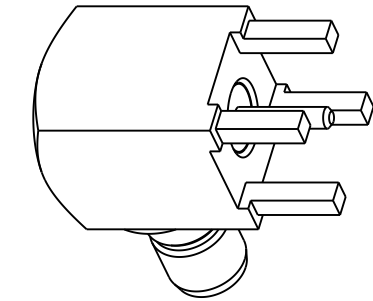
3. MECHANICAL:

A. DURABILITY: 500 CYCLES MIN.
 B. TEMPERATURE RANGE: -65°C TO +165°C

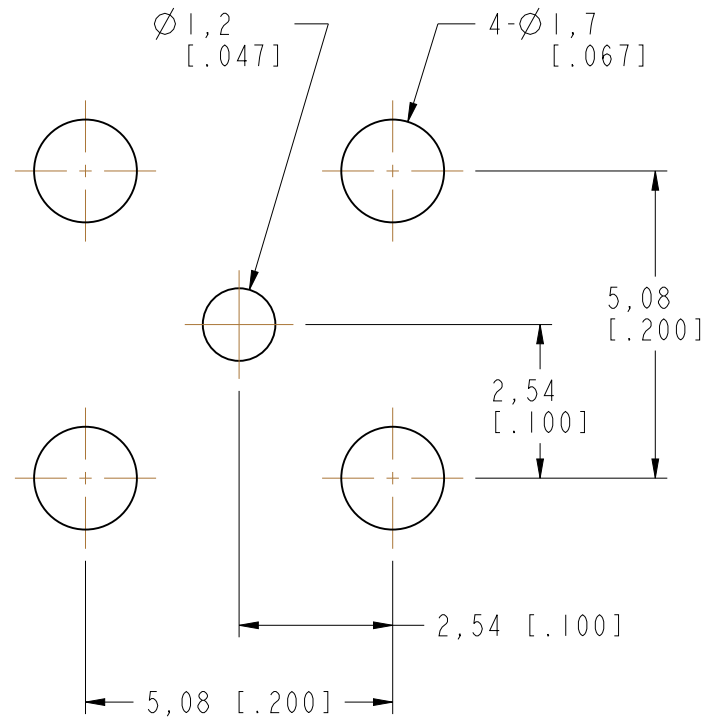
THIRD ANGLE PROJ.

REVISIONS

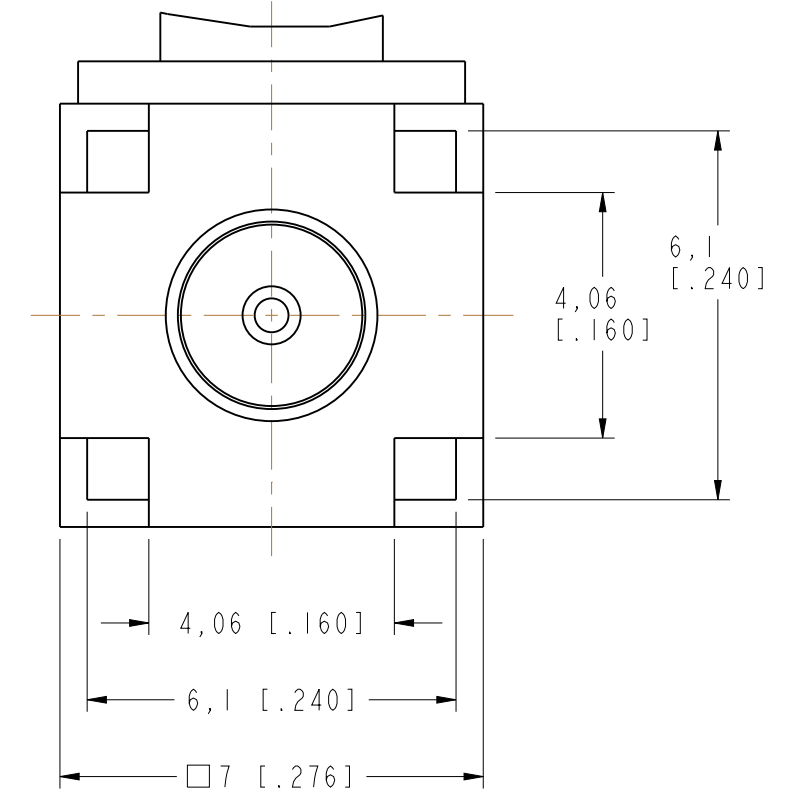
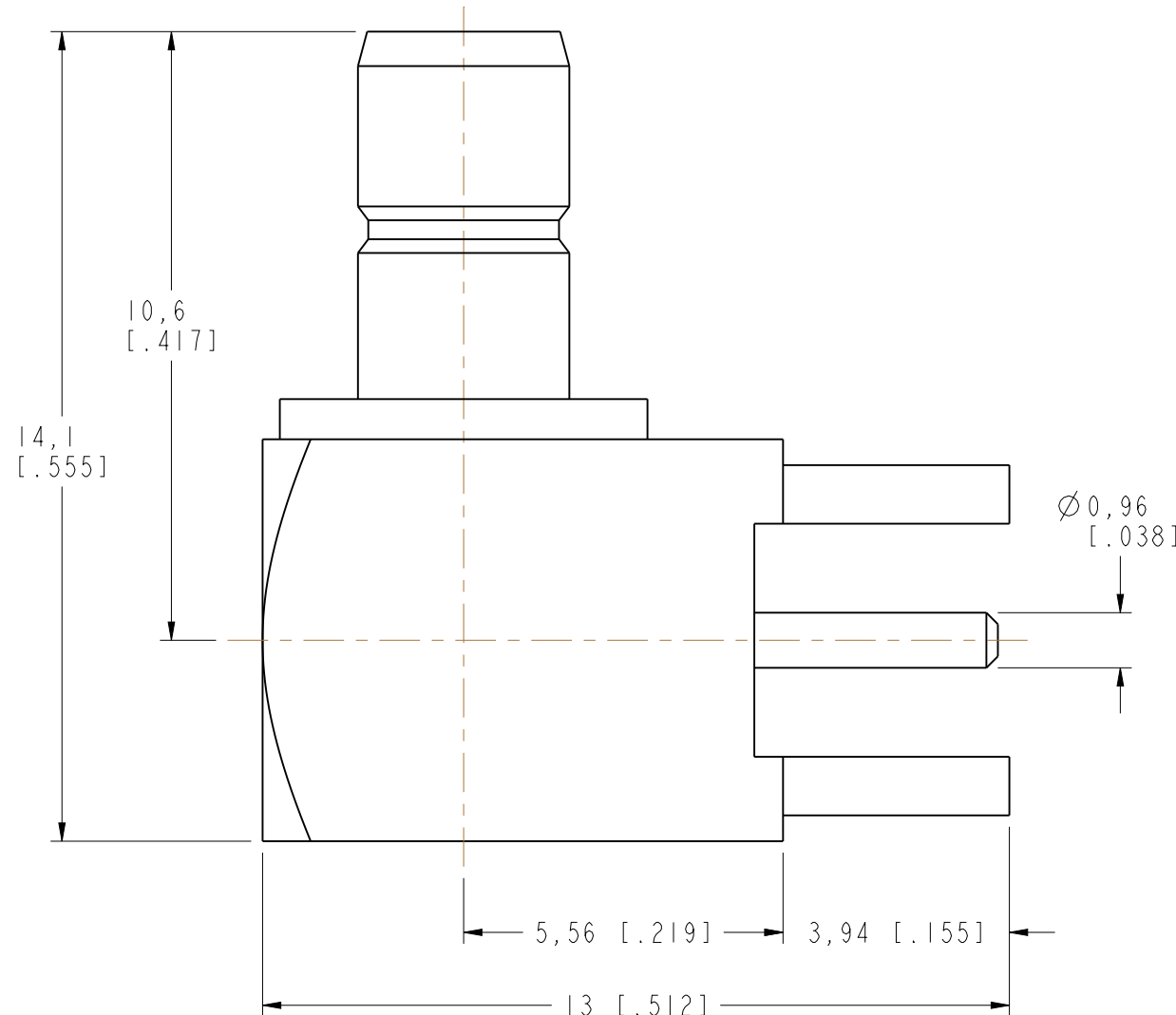
REV	DESCRIPTION	DATE	ECO	APPR
A	UPDATE DRAWING FORAMT	05-Jun-03	-----	GRS
C	SYNC THE DRAWING, UPDATE DRAWING FORMAT	14-Apr-15	50476	BG/MZ



SCALE 3.000



PCB MOUNTING HOLES



CUSTOMER OUTLINE DRAWING

ALL OTHER SHEETS ARE FOR INTERNAL USE ONLY

UNLESS OTHERWISE SPECIFIED, DIMENSIONS ARE IN METRIC AND TOLERANCES ARE: <0.5mm ± 0.05mm 0.5 - 6mm ± 0.1mm 6 - 30mm ± 0.2mm 30 - 120mm ± 0.3mm ANGLES ± 1° NOTICE - These drawings, specifications, or other data (1) are, and remain the property of Amphenol corp. (2) must be returned upon request; and (3) are confidential and not to be disclosed to any person other than those to whom they are given by Amphenol Corp. the furnishing of these drawings, specifications, or other data by Amphenol Corp., or to any other person to anyone for any purpose is not to be regarded by implication or otherwise in any manner licensing, granting rights to permitting such holder or any other person to manufacture, use or sell any product, process or design, patented or otherwise, that may in any way be related to or disclosed by said drawings, specifications, or other data.	MATERIAL	DRAWN M.ZHANG	DATE 07-Apr-15	TITLE SMB R/A P.C. MOUNT JACK		Amphenol Connex	
	REFERENCE SMB1252BI-3GT30G-50	ENGINEER N.CAO	DATE 07-Apr-15				
	CONFIGURATION LEVEL: In Work	APPROVED B.C. GLEISSNER	DATE 14-Apr-15	SCALE: 8.0:1.0	SHEET 3 OF 3	ITEM NO.	
	FINISH	CAD FILE	DWG SIZE B	REV C	PART NO. 142146		