

LQH66SN103M03#

"#" indicates a package specification code.

Closed Magnetic Circuit



< List of part numbers with package codes >

LQH66SN103M03K LQH66SN103M03L

Applications

Unsuitable Applications	Please be sure to read and comply with these "Precautions for use."
Specific Applications	Consumer equipment, Medical equipment [GHTF A/B/C] except for implant, operation, and auto-dispenser equipment, Industrial equipment except for transportation, facility and energy equipment Please refer to Our Website and specifications, etc. for information about the performance, functions, quality, management, and safety required for the above applications, and use Products after confirming the performance and reliability of the actual Product.

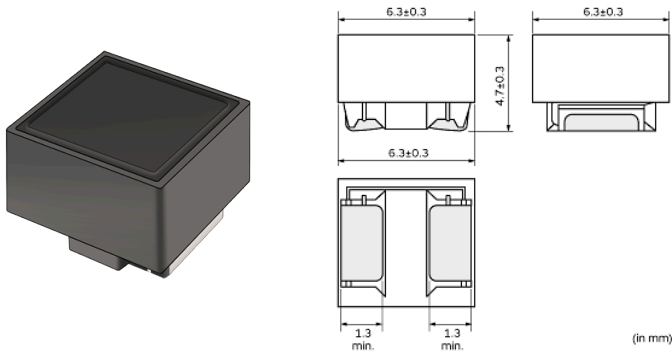
Notices

When rated current is applied to the products, inductance will be within $\pm 10\%$ of initial inductance value. When rated current is applied to the products, the temperature rise caused by self-generated heat shall be limited to 40°C max.

References

Packaging	Specifications	Standard Packing Quantity
K	330 Embossed Tape	1500
L	180 Embossed Tape	350

Appearance & Shape



Mass (typ.)	
1 piece	0.71g

Attention

- This datasheet is downloaded from the website of Murata Manufacturing Co., Ltd. Therefore, its specifications are subject to change or our products in it may be discontinued without advance notice. Please check with our sales representatives or product engineers before ordering.
- This datasheet has only typical specifications because there is no space for detailed specifications. Therefore, please review our product specifications or consult the approval sheet for product specifications before ordering.

LQH66SN103M03#

“#” indicates a package specification code.



Specifications

L size	6.3±0.3mm
W size	6.3±0.3mm
T size	4.7±0.3mm
Size code inch (mm)	2525 (6363)
Inductance	10000µH±20%
Inductance Test Frequency	10kHz
Rated current (Itemp) (Based on Temperature rise)	0.05A
Max. of DC resistance	55.58Ω
Class of magnetic shield	Ferrite Core
Self resonance frequency (min.)	0.5MHz
Operating Temperature Range(Self-temperature rise is not included)	-40°C to 80°C
Brand	Murata
DC Resistance Intermediate Values	39.7Ω±40%
Series	LQH66SN_03

Attention

1.This datasheet is downloaded from the website of Murata Manufacturing Co., Ltd. Therefore, it's specifications are subject to change or our products in it may be discontinued without advance notice. Please check with our sales representatives or product engineers before ordering.

2.This datasheet has only typical specifications because there is no space for detailed specifications.

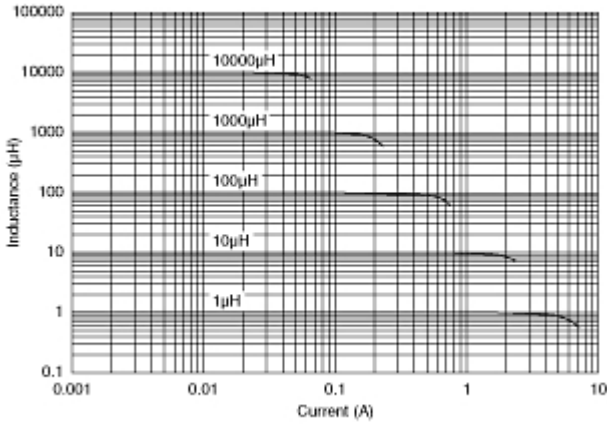
Therefore, please review our product specifications or consult the approval sheet for product specifications before ordering.

LQH66SN103M03#

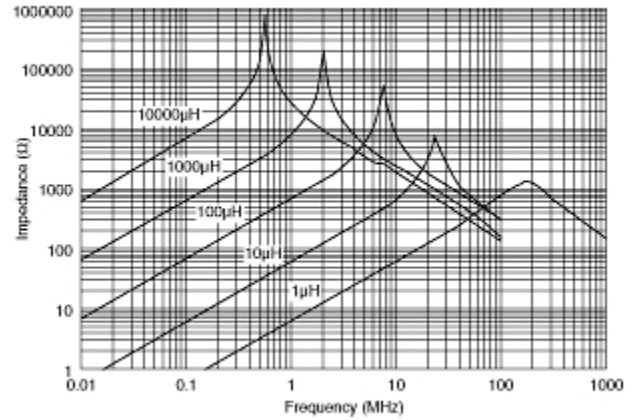
"#" indicates a package specification code.



Characteristic Data



Impedance - Current Characteristics



Impedance - Frequency Characteristics

Attention

- 1.This datasheet is downloaded from the website of Murata Manufacturing Co., Ltd. Therefore, it's specifications are subject to change or our products in it may be discontinued without advance notice. Please check with our sales representatives or product engineers before ordering.
- 2.This datasheet has only typical specifications because there is no space for detailed specifications. Therefore, please review our product specifications or consult the approval sheet for product specifications before ordering.