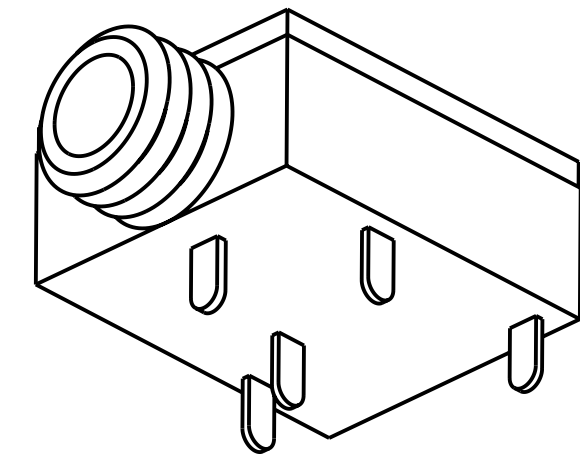
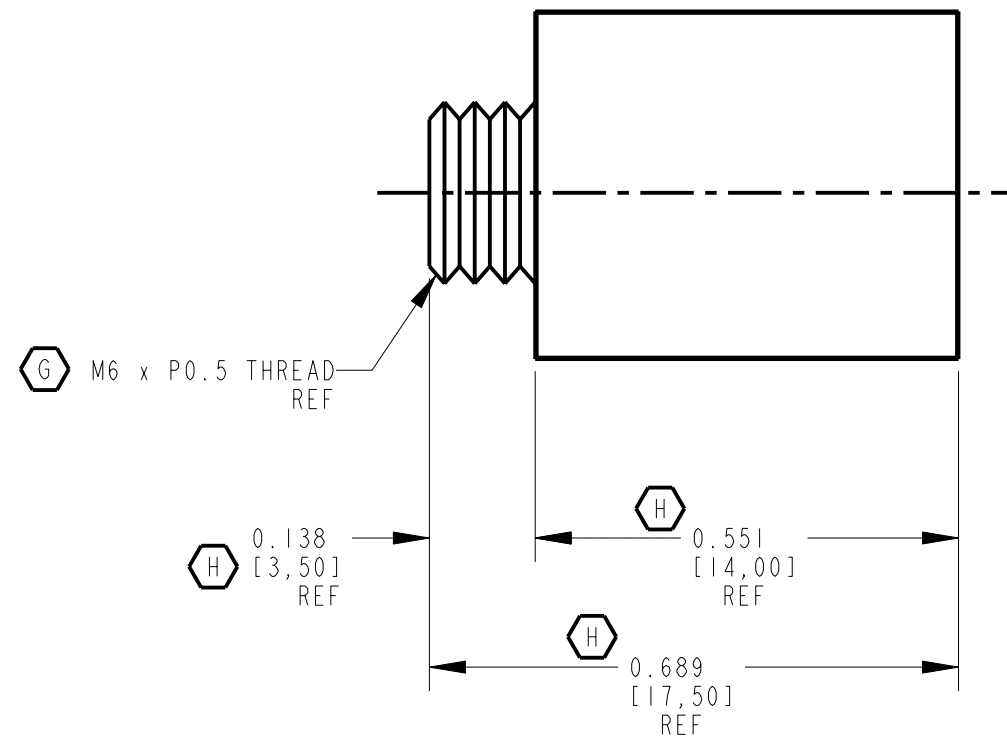
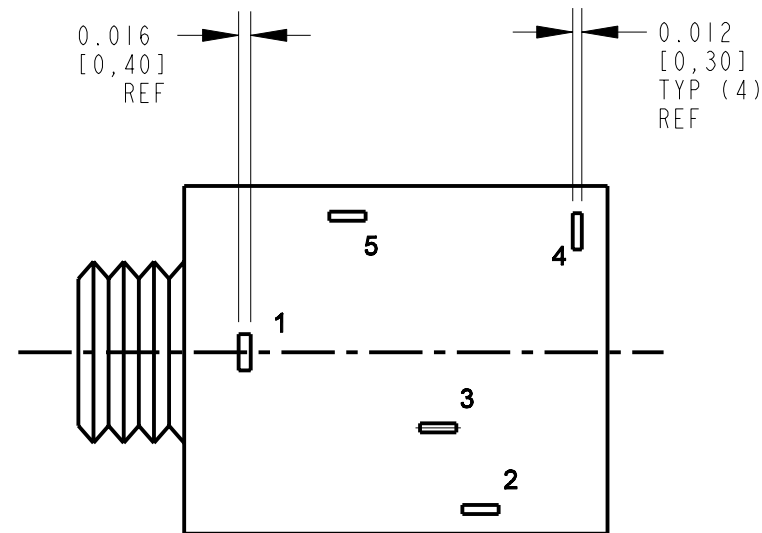
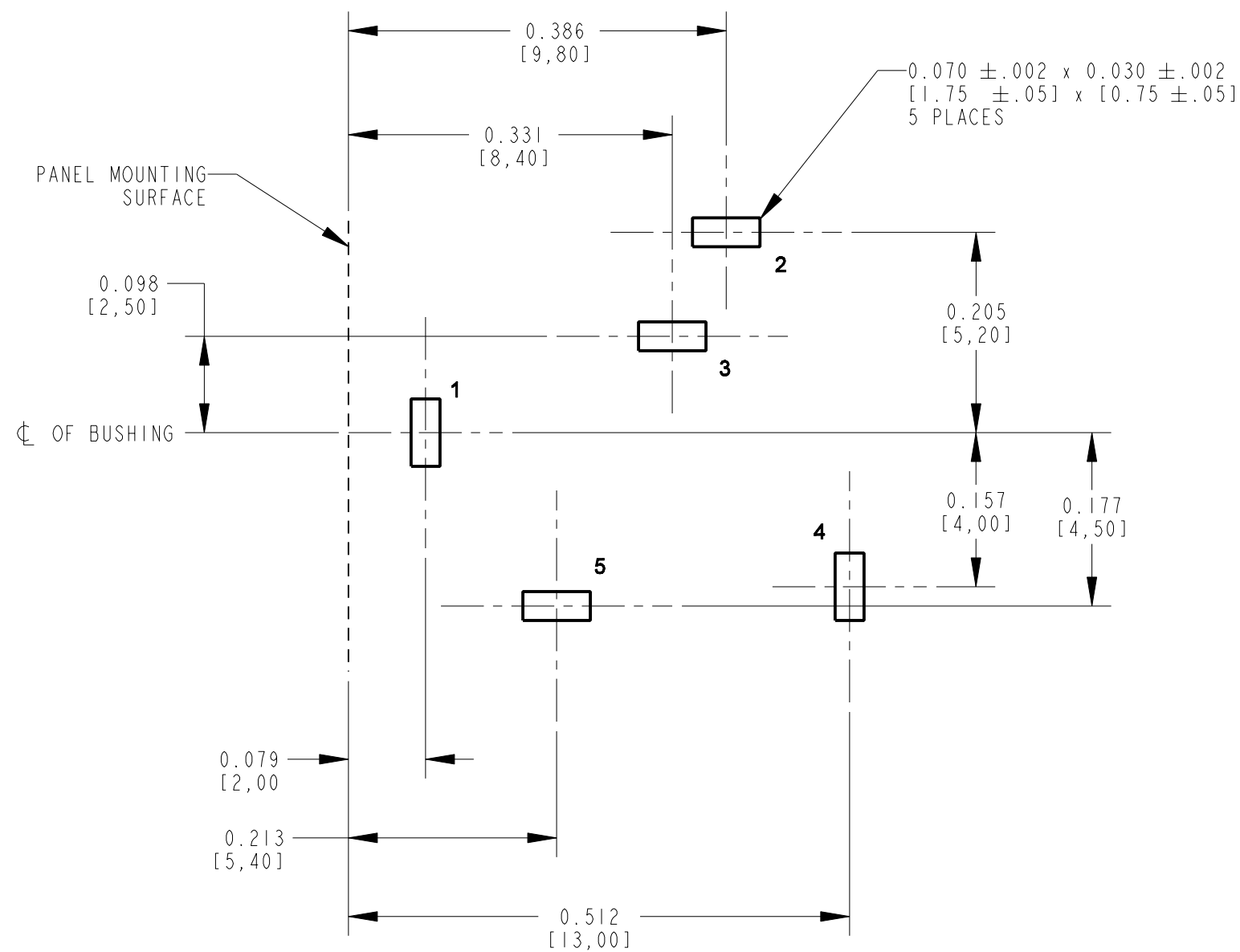
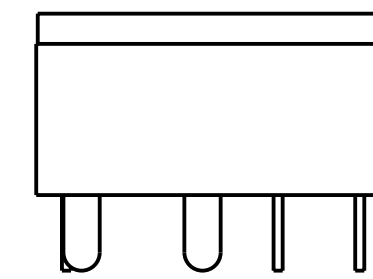
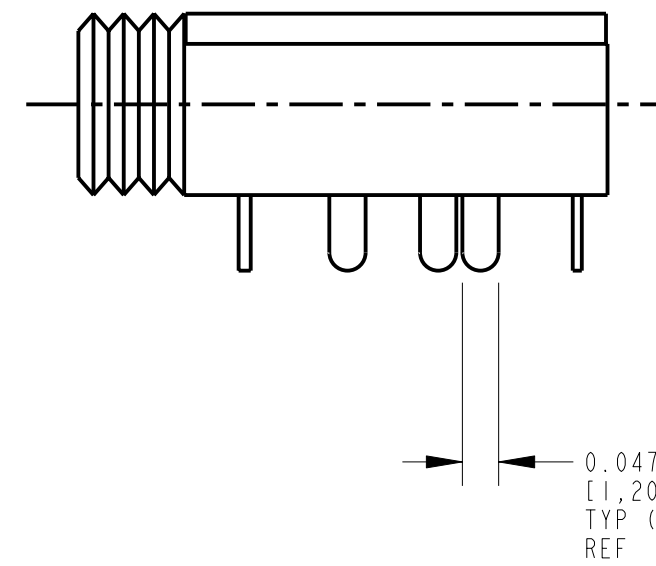
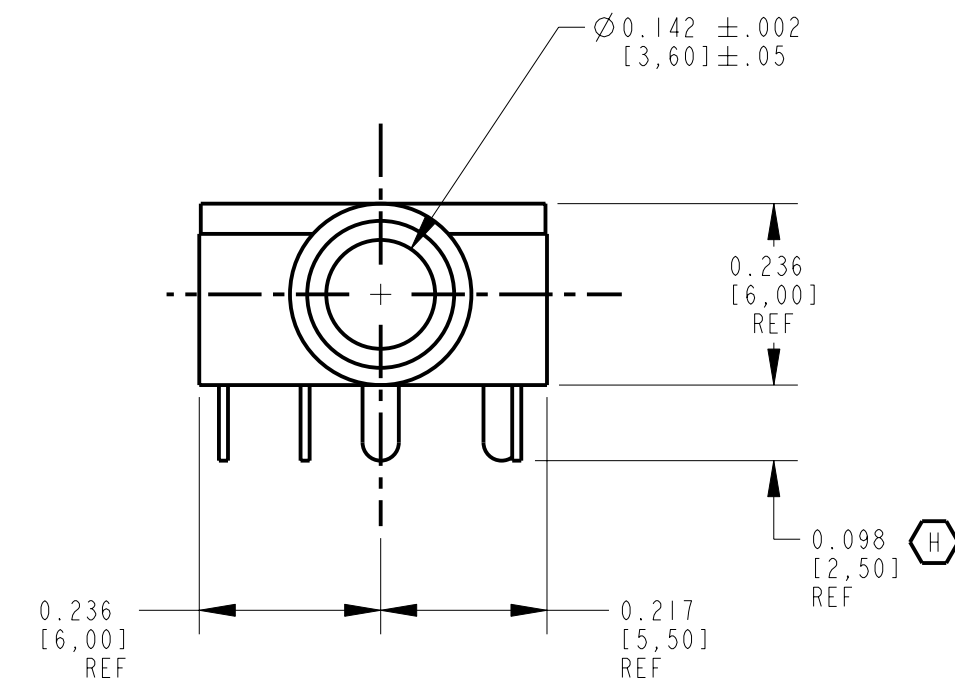


NOTES:

- ELECTRICAL:  
CONTACT RESISTANCE: 20 MILLIOHMS MAX. INITIAL  
100 MILLIOHMS MAX. AFTER LIFE  
INSULATION RESISTANCE: 100 MEGAOHMS MIN.  
DIELECTRIC WITH STANDING VOLTAGE: 250 VAC.
- MECHANICAL:  
LIFE: 5000 CYCLES  
INSERTION FORCE: 0,4 KG TO 1,6 KG  
WITHDRAWAL FORCE: 0,4 KG TO 1,4 KG
- MATERIALS:  
HOUSING: PBT BLACK, UL94-V0  
BUSHING: BRASS, NICKEL PLATED  
SPRINGS: COPPER ALLOY, SILVER PLATED  
COVER: POLYCARBONATE, CLEAR, UL94-V0
- MOUNTING NUT HARDWARE INCLUDED.
- THIS PRODUCT IS RoHS COMPLIANT.



SCALE 4:1



PART NO.	SCHEMATIC
35RAPC3BH3	
35RAPC4BH3	
35RAPC2BH3	
35RAPC2AH3	

RECOMMENDED PC BOARD  
COMPONENT SIDE

SUPPLIED WITH KNURL NUT

CUSTOMER DRAWING

★ STAR SYMBOL DENOTES CRITICAL DIMENSION						THIS DRAWING DESCRIBES A DESIGN CONSIDERED PROPRIETARY IN NATURE, DEVELOPED AND MANUFACTURED BY SWITCHCRAFT INC. AND IS RELEASED ON A CONFIDENTIAL BASIS FOR IDENTIFICATION PURPOSES ONLY.					
UNLESS OTHERWISE SPECIFIED						SIZE	WIDTH	MULT	LBS/M	TEMPER	
J	27551	8-4-15	TO	TJK		FINISH					
H	26998	7-20-12	TO	TJK		MATERIAL					
G	26658	11-10-10	TO	TJK		SPEC No.					
F	26553	6-8-10	TJK	TJK		FIRST USED ON					
E	21847	7-29-97	RC	JJ		SCALE 4:1					
1. ALL DIMENSIONS IN INCHES						DATE DRAWN					
- TWO PLACE DECIMALS ±0.01						9-Dec-93	ES	12-10-93	APVD	ES	12-10-93
- THREE PALCE DECIMALS ±0.005						NAME					
- FRACTIONAL DIMENSIONS ±1/64						3.5MM HORIZONTAL					
- ANGLES ±1°						STEREO JACK, RoHS					
- ALL DIA. CONCENTRIC WITHIN 0.005 T.I.R.						PART No.					
2. FEATURES ON THE SAME CENTERLINE MUST BE ALIGNED WITHIN ±0.002						35RAPC_H3					
3. REMOVE ALL BURRS						SHEET 1 OF 1					
DO NOT SCALE DRAWING						REV J					
REVISIONS						Switchcraft®					

# Mouser Electronics

Authorized Distributor

Click to View Pricing, Inventory, Delivery & Lifecycle Information:

[Switchcraft:](#)

[35RAPC4BH3](#) [35RAPC2BH3](#) [35RAPC2AH3](#) [35RAPC3BH3](#)