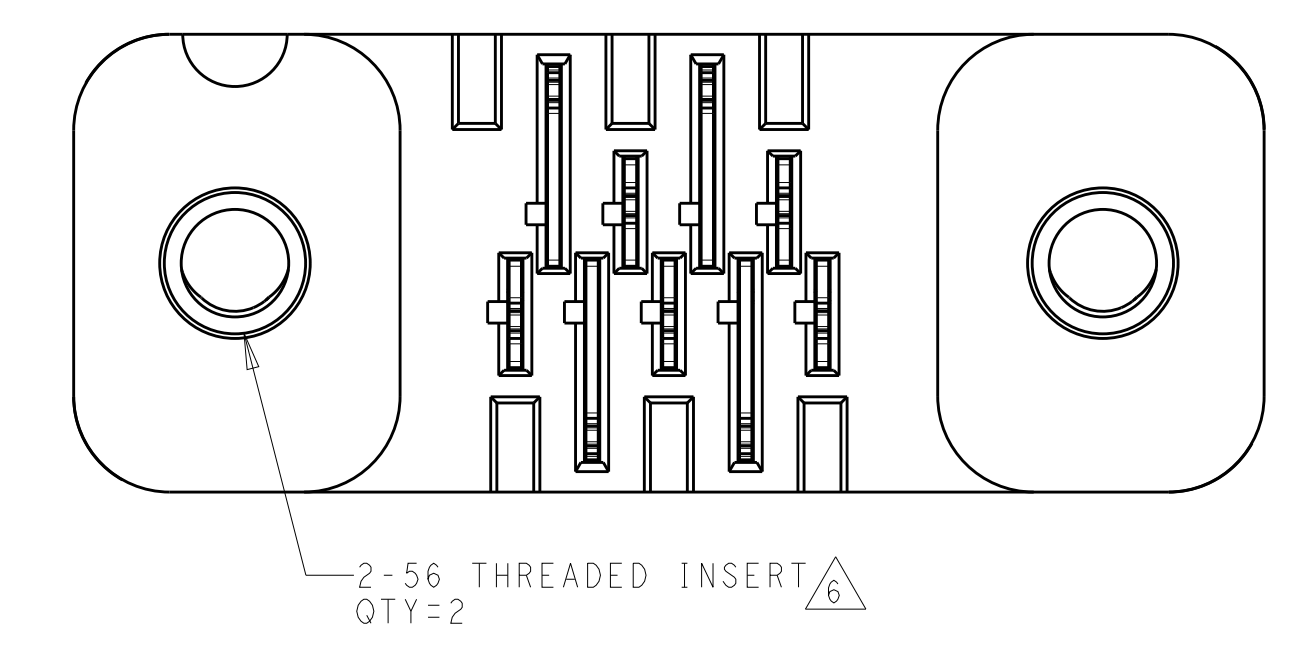
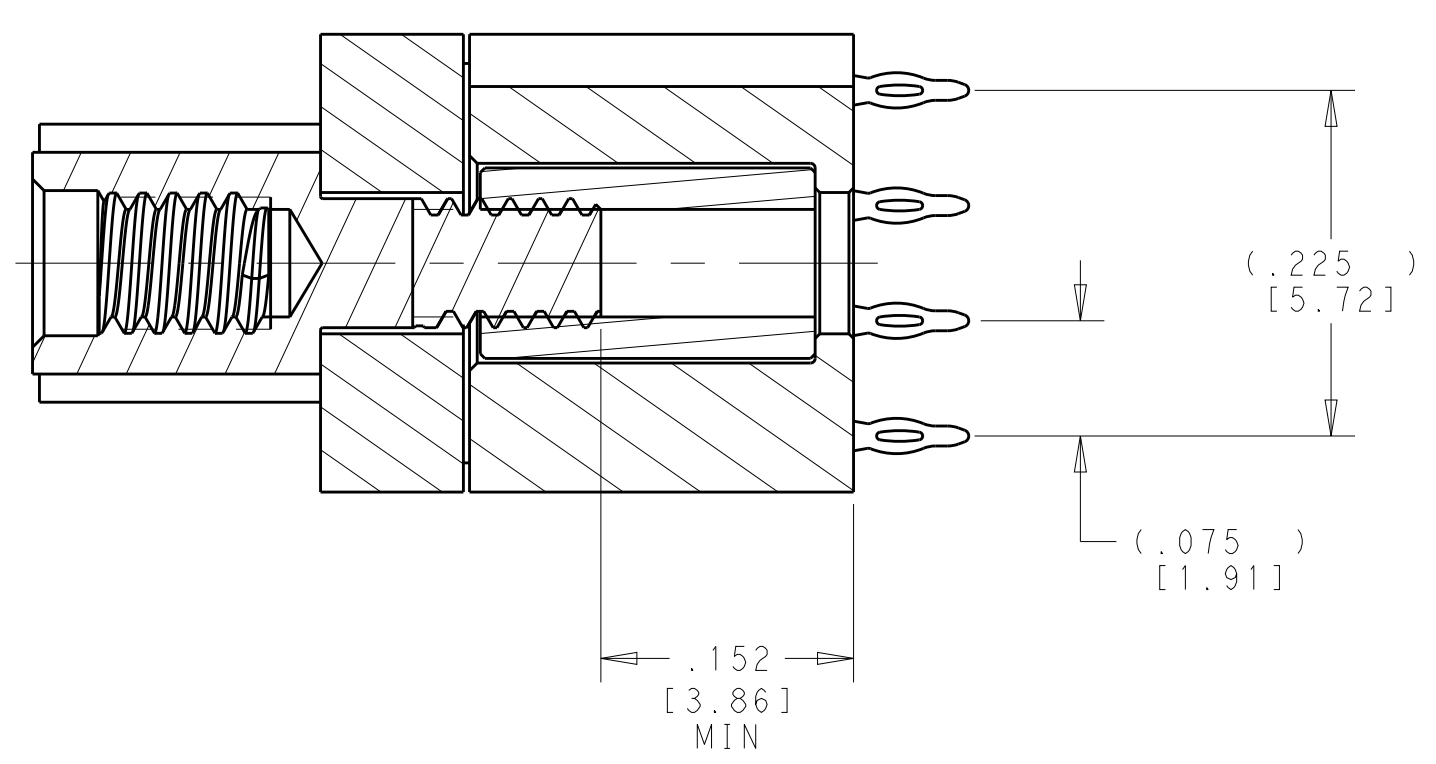
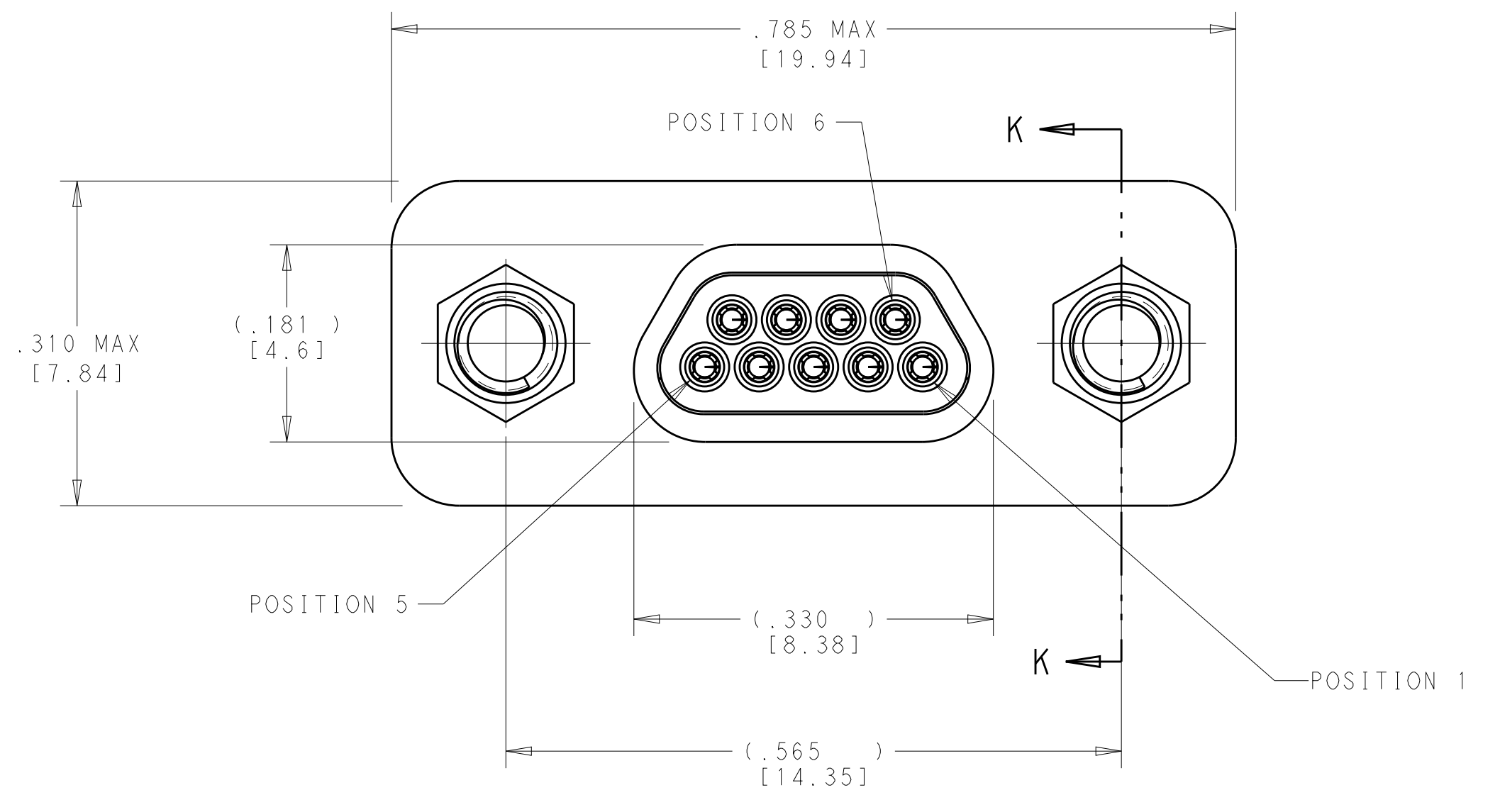
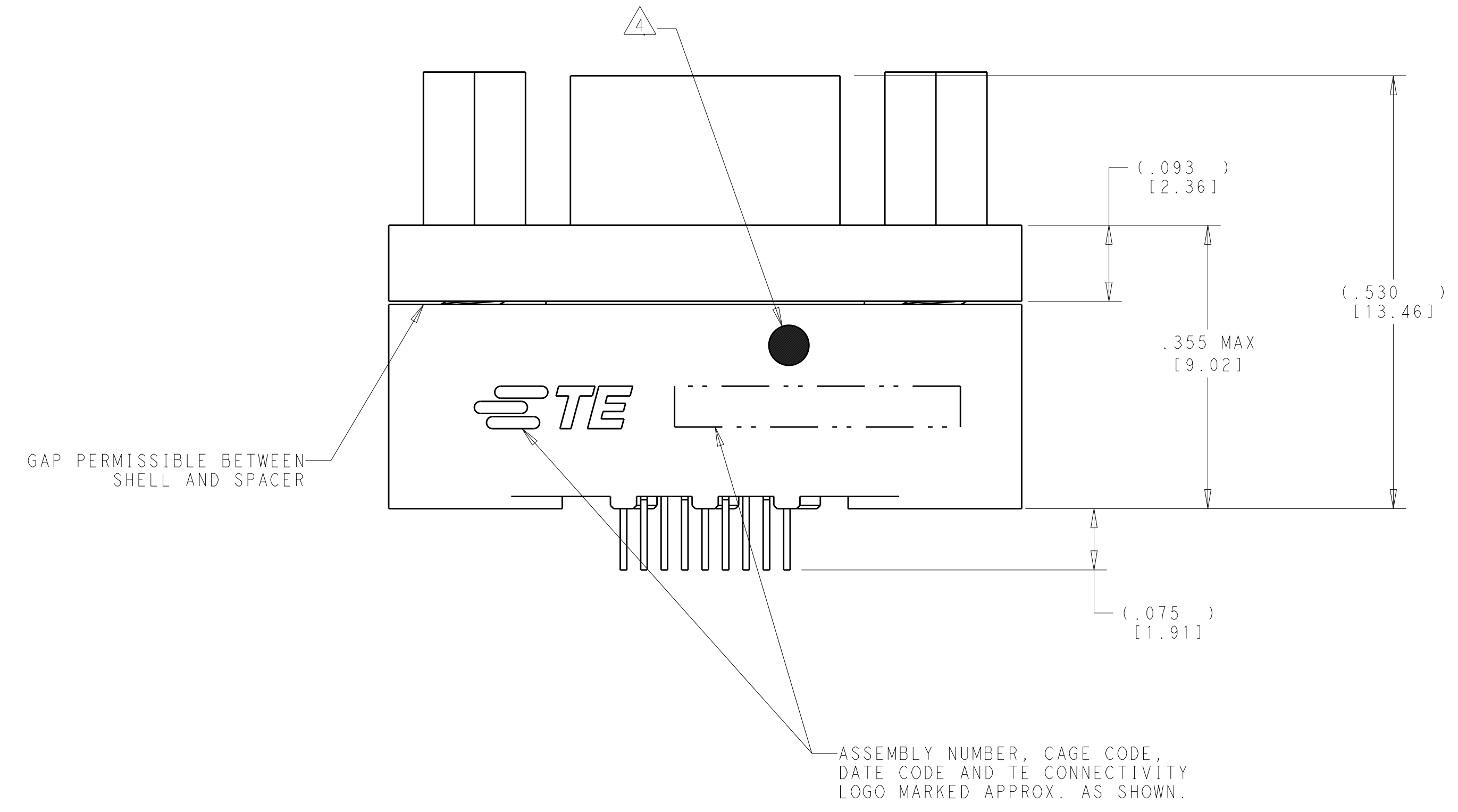
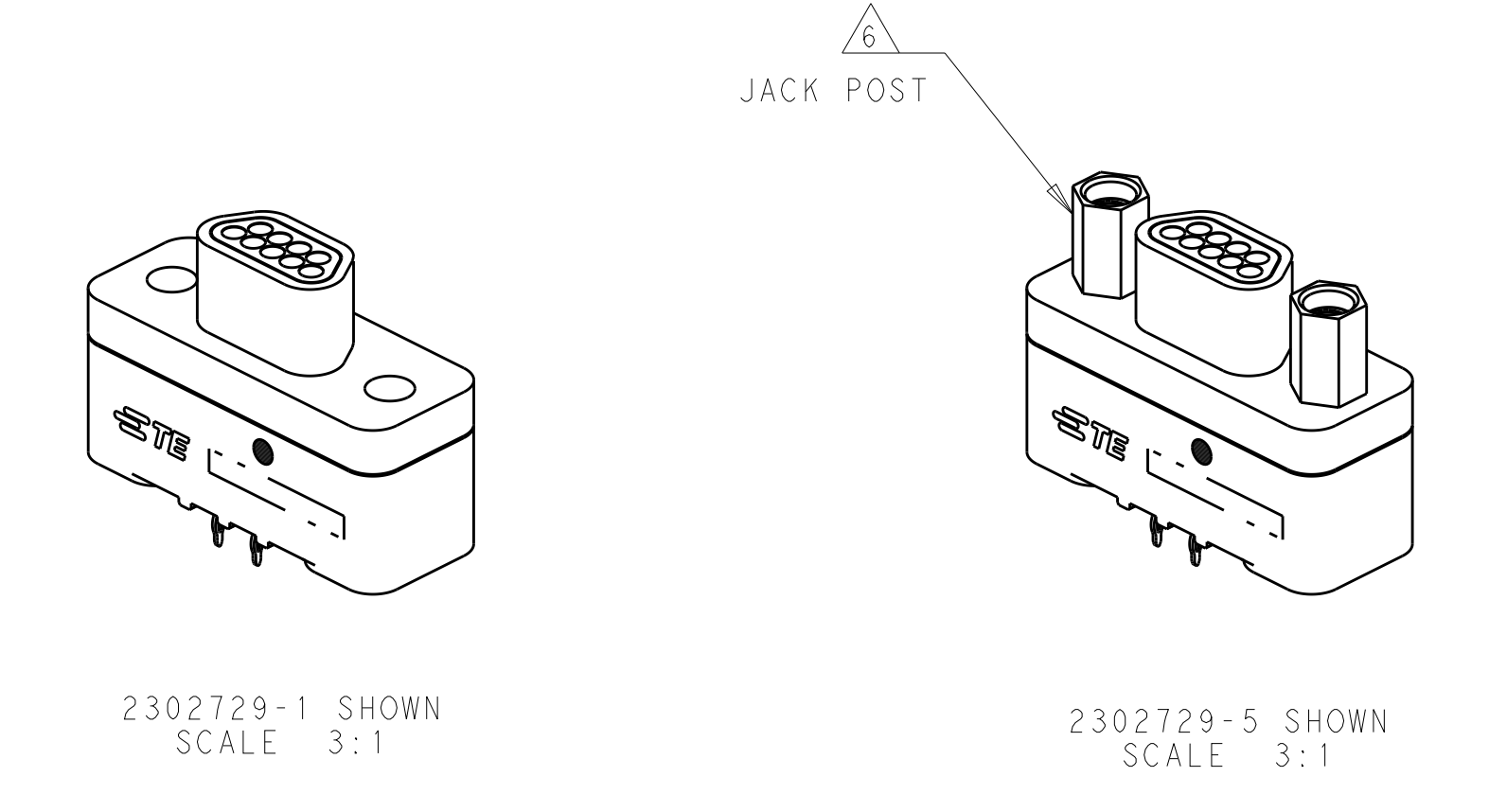


REVISIONS				
REV	DATE	BY	CHK	APPD
1	PROPOSED	24SEP2016	DCB	KA



SECTION K-K



ASSEMBLY NUMBER, CAGE CODE, DATE CODE AND TE CONNECTIVITY LOGO MARKED APPROX. AS SHOWN.

CONTACT	MOUNTING STYLE	SHELL PLATING	SHELL MATERIAL	MICRODOT PART NO	PART NO
Au	THREADED INSERT / JACK POST	BLACK ZINC	ALUMINUM	TBD	3-2302729-0
SnPb	THREADED INSERT / JACK POST	BLACK ZINC	ALUMINUM	TBD	2-2302729-9
Au	THRU-HOLE	BLACK ZINC	ALUMINUM	TBD	2-2302729-8
SnPb	THRU-HOLE	BLACK ZINC	ALUMINUM	TBD	2-2302729-7
Au	THREADED INSERT	BLACK ZINC	ALUMINUM	TBD	2-2302729-6
SnPb	THREADED INSERT	BLACK ZINC	ALUMINUM	TBD	2-2302729-5
Au	THREADED INSERT / JACK POST	PTFE	ALUMINUM	TBD	2-2302729-4
SnPb	THREADED INSERT / JACK POST	PTFE	ALUMINUM	TBD	2-2302729-3
Au	THRU-HOLE	PTFE	ALUMINUM	TBD	2-2302729-2
SnPb	THRU-HOLE	PTFE	ALUMINUM	TBD	2-2302729-1
Au	THREADED INSERT	PTFE	ALUMINUM	TBD	2-2302729-0
SnPb	THREADED INSERT	PTFE	ALUMINUM	TBD	1-2302729-9
Au	THREADED INSERT / JACK POST	PASSIVATED	STAINLESS STEEL	TBD	1-2302729-8
SnPb	THREADED INSERT / JACK POST	PASSIVATED	STAINLESS STEEL	TBD	1-2302729-7
Au	THRU-HOLE	PASSIVATED	STAINLESS STEEL	TBD	1-2302729-6
SnPb	THRU-HOLE	PASSIVATED	STAINLESS STEEL	TBD	1-2302729-5
Au	THREADED INSERT	PASSIVATED	STAINLESS STEEL	TBD	1-2302729-4
SnPb	THREADED INSERT	PASSIVATED	STAINLESS STEEL	TBD	1-2302729-3
Au	THREADED INSERT / JACK POST	CADMIUM	ALUMINUM	TBD	1-2302729-2
SnPb	THREADED INSERT / JACK POST	CADMIUM	ALUMINUM	TBD	1-2302729-1
Au	THRU-HOLE	CADMIUM	ALUMINUM	TBD	1-2302729-0
SnPb	THRU-HOLE	CADMIUM	ALUMINUM	TBD	2302729-9
Au	THREADED INSERT	CADMIUM	ALUMINUM	TBD	2302729-8
SnPb	THREADED INSERT	CADMIUM	ALUMINUM	TBD	2302729-7
Au	THREADED INSERT / JACK POST	NICKEL	ALUMINUM	TBD	2302729-6
SnPb	THREADED INSERT / JACK POST	NICKEL	ALUMINUM	TBD	2302729-5
Au	THRU-HOLE	NICKEL	ALUMINUM	TBD	2302729-4
SnPb	THRU-HOLE	NICKEL	ALUMINUM	TBD	2302729-3
Au	THREADED INSERT	NICKEL	ALUMINUM	TBD	2302729-2
SnPb	THREADED INSERT	NICKEL	ALUMINUM	TBD	2302729-1
CONTACT TAIL PLATING					

- MATERIAL: SHELL: SEE TABLE; CONTACT: COPPER ALLOY; INSULATOR: THERMOPLASTIC; COLOR: BLACK; LEAD ORGANIZER: THERMOPLASTIC; COLOR: BLACK; OPTIONAL HARDWARE: STAINLESS STEEL
- CONTACT FINISH: MATING AREA: GOLD 50µm [1.27µm] Au MIN OVER 30µm [0.76µm] Ni MIN. COMPLIANT PIN AREA: 15µm [0.51µm] MIN BRIGHT SnPb OVER 50µm [1.27µm] MIN Ni.
- REFERENCE APPLICATION SPEC 114-163000 FOR RECOMMENDED PCB LAYOUT, PLATED THROUGH HOLE DIAMETER AND PLATING THICKNESS. DATUMS AND BASIC DIMENSIONS ESTABLISHED BY CUSTOMER.
- POSITION 1 SHALL BE INDICATED BY AN IDENTIFIABLE MARK, LOCATED APPROXIMATELY AS SHOWN ON THE POSITION 1 SIDE OF THE CONNECTOR FLANGE. THIS MARK SHALL BE INCLUDED AS PART OF THE PART MARKING INFORMATION.
- ALL DIMENSIONS AND REQUIREMENTS ARE PER MIL-DTL-83513/28 (EXCEPT COMPLIANT PINS & PART MARKING).
- THREADED INSERT AND JACK POST 2-56 UNC 2-B CONFIGURATION OPTIONAL.
- CONTACT FINISH: MATING AREA: GOLD 50µm [1.27µm] Au MIN OVER 30µm [0.76µm] Ni MIN. COMPLIANT PIN AREA: 15µm [0.51µm] MIN Au OVER 50µm [1.27µm] MIN Ni.

THIS DRAWING IS A CONTROLLED DOCUMENT.

THIS PRINT IS UNQUALIFIED PRODUCT CONTACT PRODUCT ENGINEERING BEFORE USING THIS PRINT

UNQUALIFIED PRODUCT CONTACT PRODUCT ENGINEERING BEFORE USING THIS PRINT

STE TE Connectivity

PLUG ASSY, VERTICAL, 2 ROW, 9 POSITION, MICRODOT PRESS-FIT

2302729

SCALE: 8:1

# Mouser Electronics

Authorized Distributor

Click to View Pricing, Inventory, Delivery & Lifecycle Information:

## TE Connectivity:

[2302729-4](#) [2302733-4](#) [2302734-4](#) [2302735-4](#) [2302736-4](#) [2302737-4](#) [2302738-4](#) [2302739-4](#) [2302740-4](#) [2302730-4](#) [2302731-4](#) [2302732-4](#)