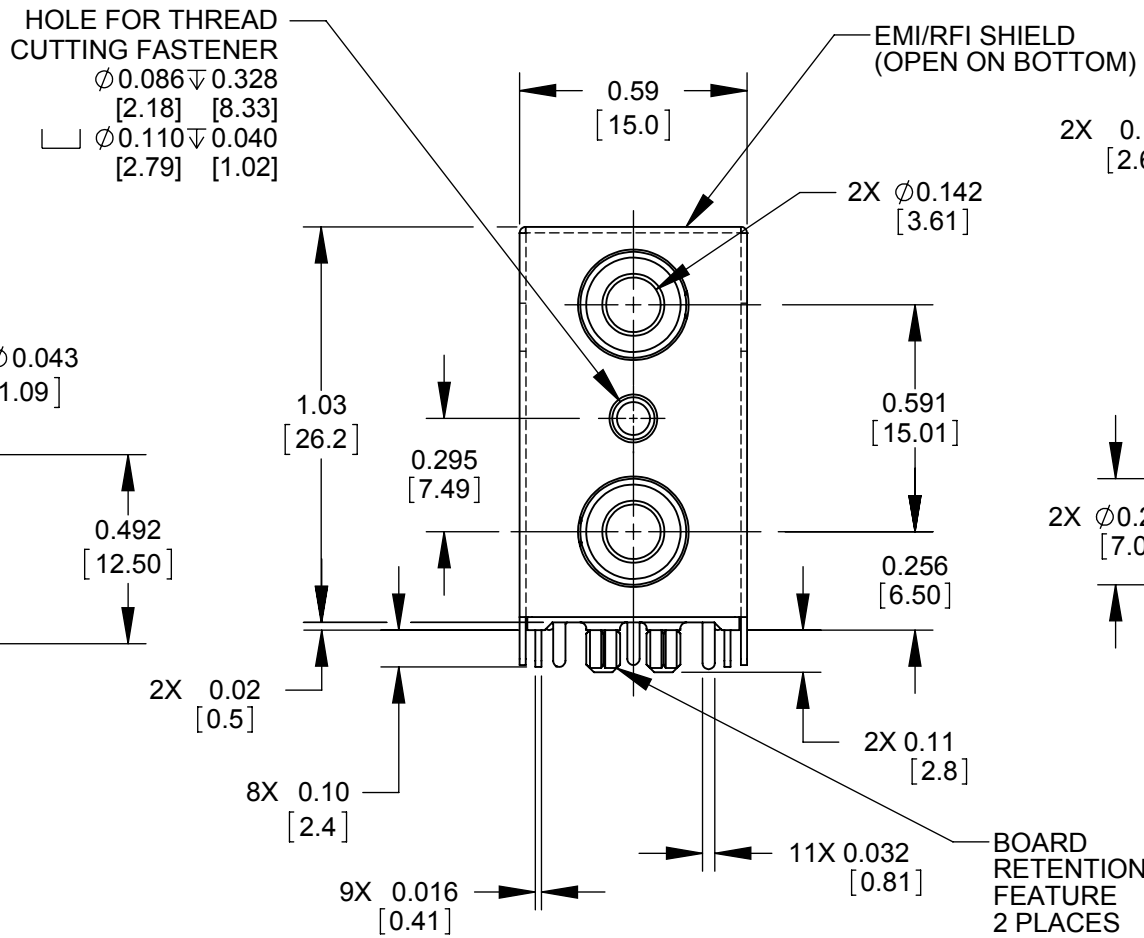
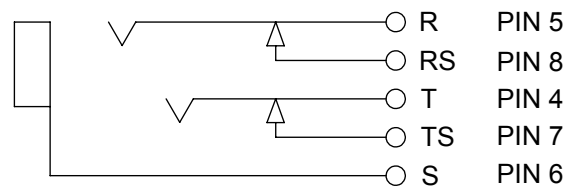


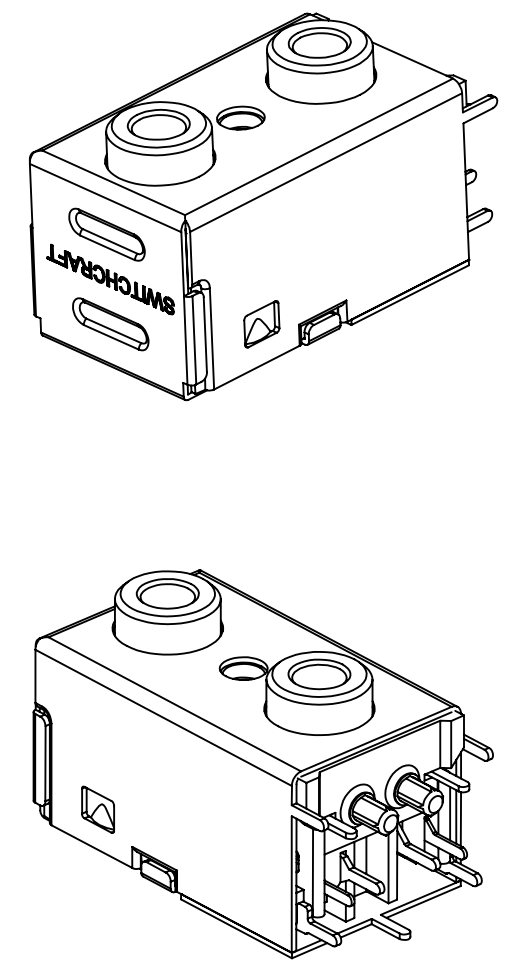
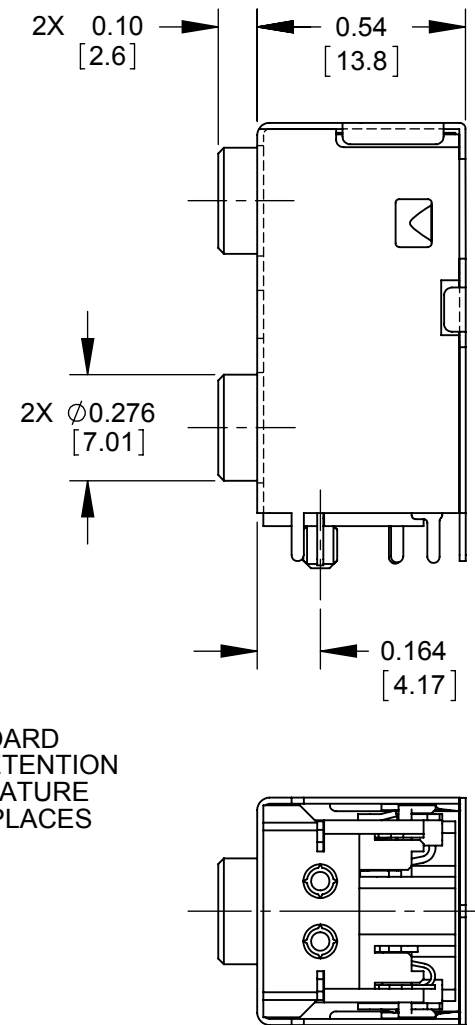
**RECOMMENDED PCB HOLE PATTERN
COMPONENT SIDE
A = P.C. HOLES FOR SHIELD**



TOP JACK SCHEMATIC



BOTTOM JACK SCHEMATIC



PERFORMANCE SPECIFICATIONS:

INSERTION/EXTRACTION FORCES: INITIAL 0.8 TO 6 POUNDS.
 DIELECTRIC WITHSTANDING VOLTAGE: 500 VAC
 INSULATION RESISTANCE: INITIAL 100 MEGOHMS MINIMUM
 CONTACT RESISTANCE PLUG TO JACK: 50 MILLIOHMS MAXIMUM
 CONTACT RESISTANCE SHUNTS TO SPRINGS: 30 MILLIOHMS MAXIMUM
 MECHANICAL LIFE: 5000 CYCLES MINIMUM

MATERIALS:

SPRINGS AND TERMINALS: SILVER PLATED COPPER ALLOY
 HOUSING: LCP
 SHIELD: COPPER ALLOY, TIN PLATED

NOTES:

1. THIS PRODUCT IS RoHS COMPLIANT.
2. ALL DIMENSIONS REFERENCE ONLY.

CUSTOMER DRAWING

REV	ECO NUMBER	DATE	BY	APVD
P	27662 REDRAWN	3-8-16	TO	TJK
REVISIONS				

UNLESS OTHERWISE SPECIFIED
 1. ALL DIMENSIONS IN INCHES
 - TWO PLACE DECIMALS ±0.02
 - THREE PLACE DECIMALS ±0.005

DO NOT SCALE DRAWING

THIS DRAWING DESCRIBES A DESIGN CONSIDERED PROPRIETARY IN NATURE, DEVELOPED AND MANUFACTURED BY SWITCHCRAFT INC. AND IS RELEASED ON A CONFIDENTIAL BASIS FOR IDENTIFICATION PURPOSES ONLY.									
SIZE	WIDTH	MULT	LBS/M	TEMPER					
FINISH					MATERIAL				
SPEC No.					SPEC No.				
FIRST USED ON					SCALE 2:1				
DATE DRAWN	BY	CHKD	APVD						
9-8-93	SG	EBR	IAC						
			9-14-93	9-14-93					
NAME					PART No.				
3.5 MM DUAL JACK, RoHS					35RAPC7JS				
					REV P				

Mouser Electronics

Authorized Distributor

Click to View Pricing, Inventory, Delivery & Lifecycle Information:

[Switchcraft:](#)

[35RAPC7JS](#)