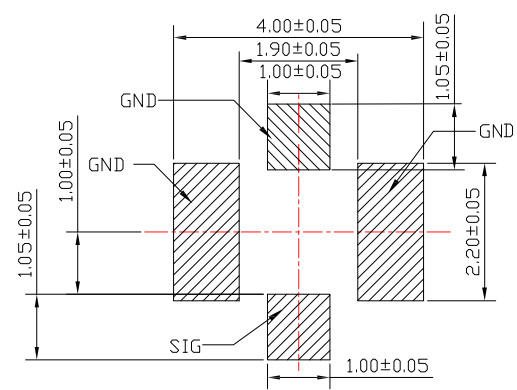
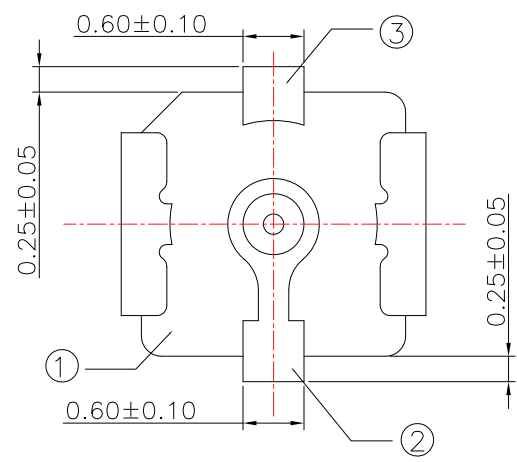


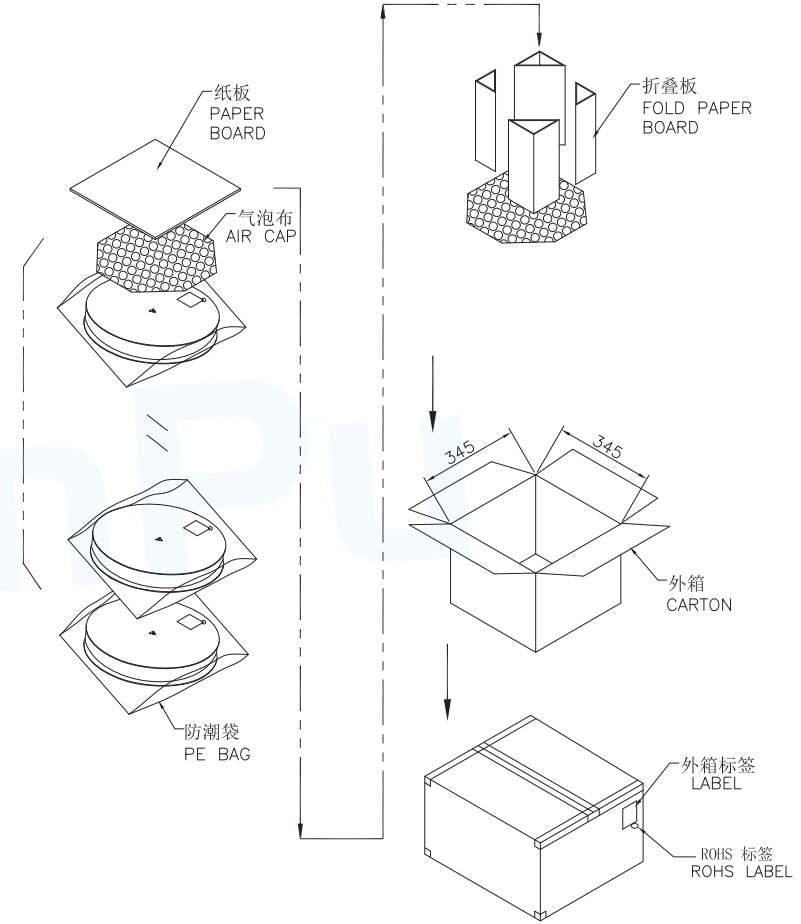
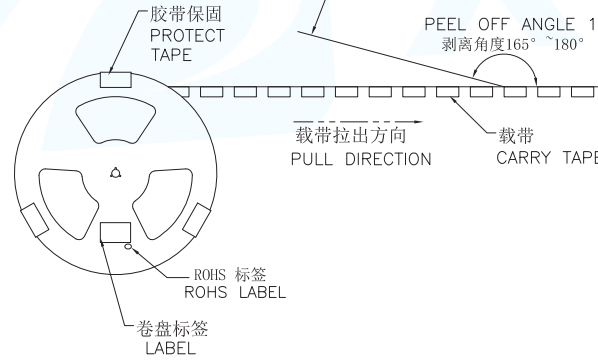
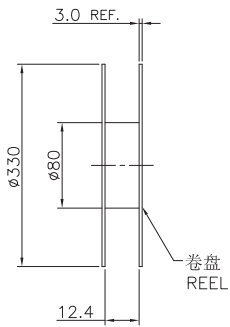
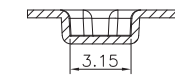
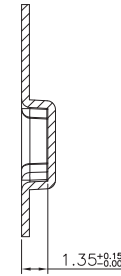
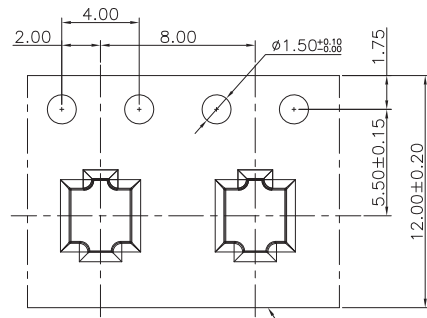
RECOMMENDED PCB LAYOUT 1
(GENERAL TOLERANCE IS ±0.05)

NOTE:
 1. MATERIAL:
 ① 1.1. HOUSING:THERMOPLASTIC,COLOR:WHITE,UL 94V-0;
 ② 1.2. CONTACT: COPPER ALLOY,T=0.15mm;
 ③ 1.3. SHELL:COPPER ALLOY,T=0.15mm.
 2. FINISH:
 2.1. CONTACT: GOLD FLASH PLATED ON MATING AREA, GOLD FLASH ON SOLDER TAILS, NICKEL UNDER PLATED OVER OF THE ALL;
 2.2. SHELL: GOLD FLASH ON THE ALL,NICKEL PLATED UNDER.



RECOMMENDED PCB LAYOUT 2
(GENERAL TOLERANCE IS ±0.05)

MANUFACTURE DWG		 东莞市讯普电子科技有限公司 DongGuan XunPu Electronics Co.,Ltd			
UNLESS OTHERWISE SPECIFIED TOLERANCES			TITLE:ULTRA SMALL SURFACE MOUNT COAXIAL CONN. USS RF SERIES		
DECIMALS:	ANGLES:		PAR	SP-RF-001	
X.:±0.50	X'.:±2°		DWN	KING	2013.06.11
X.X:±0.10	X.X':±1°		CHKD		
X.XX:±0.05		APVD	SCALE:1:1	UNIT:MM	
		CUSTOMER COPY	SIZE:A4	SHEET:1F1	REV:A



1: 包装内容
INFORMATIONS OF THE PACKING

品名 (TITLE)	料号 (P/N)	一卷包装数量 Q'TY/REEL	一箱包装数量 Q'TY/CARTON
RF 2.5H REC CONN	SP-RF-001	4500PCS	18000PCS

MANUFACTURE DWG		东莞市讯普电子科技有限公司 DongGuan XunPu Electronics Co.,Ltd			
UNLESS OTHERWISE SPECIFIED TOLERANCES			TITLE:ULTRA SMALL SURFACE MOUNT COAXIAL CONN. USS RF SERIES		
DECIMALS:			PAR	SP-RF-001	
X.:±0.50			DWN	KING	2013.06.11
X.X:±0.10			CHKD		
X.XX:±0.05		APVD			
ANGLES:		SCALE:1:1	UNIT:MM		
X.X':±2'		SIZE:A4	SHEET:1F1		
X.X'':±1"		CUSTOMER COPY		REV:A	