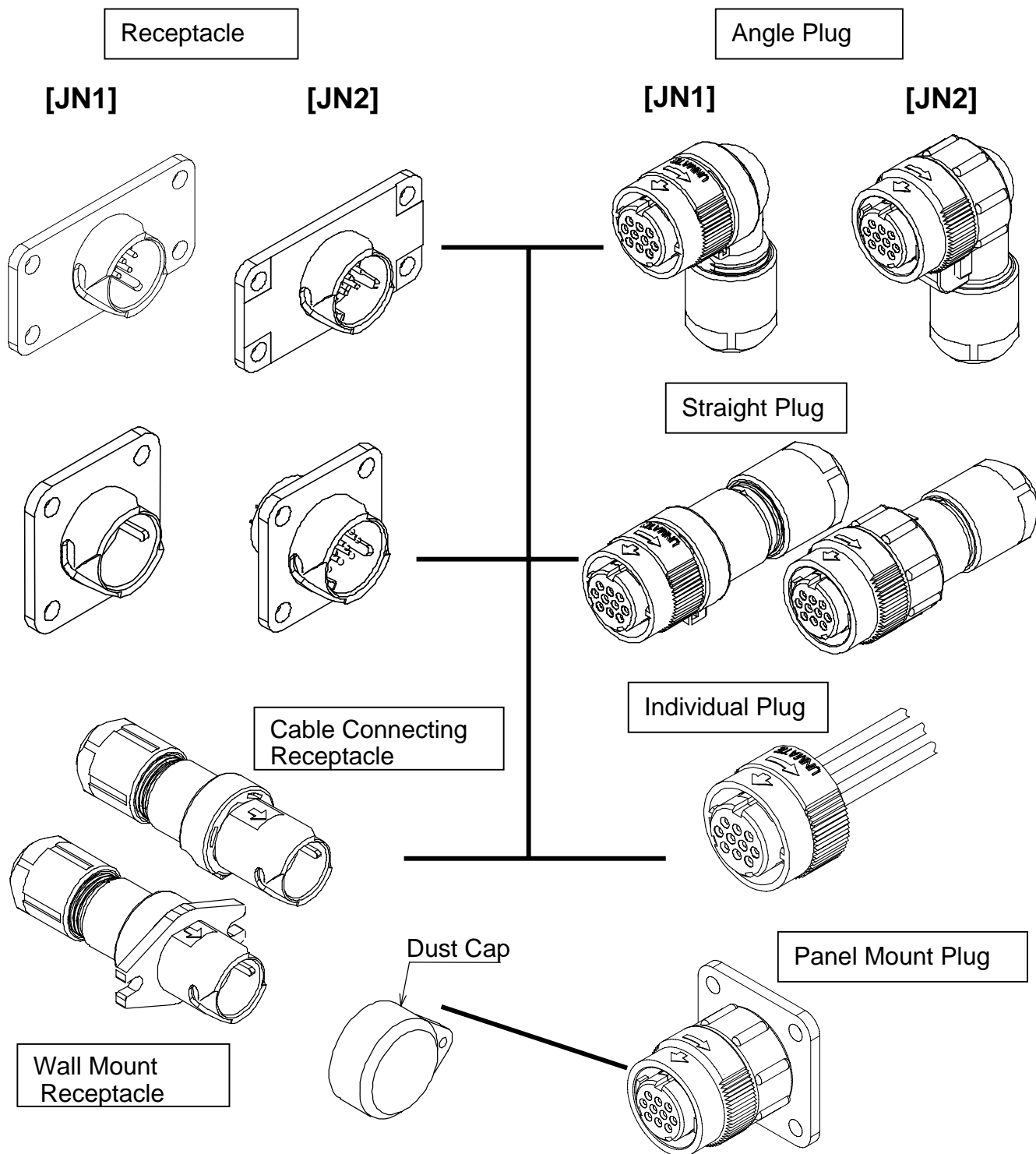


NEW

Small Circular Connector
JN1/JN2 Series

CONNECTOR
 MB-0054-8
 October 2009



This product is a waterproof circular connector with one-touch lock mechanism developed as an interface for industrial devices. It is available in the all-plastic type JN1, and the partially metal-reinforced robust type JN2. Both are compact designs and suitable for a variety of electronic devices. JN1 and JN2 are UL certified. The 4-contact JN2 is TUV certified. (Patent and design registration applications have been filed.)

Features

[JN1]

- All plastic lightweight connector.
- Easy and sure mating with push-and-twist type one-touch lock mechanism.
- Terminal specification for receptacle and plug differs by series and number of contacts, please refer to general specification for each product. Socket contact for 10 pos. plug is available in crimp and solder types.
- The 4-contact receptacle is not body grounded. Connection of ground contact and chassis is needed for grounding.
- Crimp connection relay receptacle is available in cable-connecting and wall-mounting receptacle types. (4 pos. and 10 pos.)
- Plug is available in straight, angle and individual types (10 pos. only). The cable direction of the angle plug can be set in four directions by rotating the plug in 90 degree increments.
- Mating height of angle plug is 30.8mm from panel surface (4 pos. and 10 pos.). Individual plug is low profile 16.9mm (10 pos.).
- Waterproof and dustproof conforming to IP67.
- Superb environment-proof performance such as vibration and oil resistance.
- Suitable for conduit mounting (cannot be attached to individual plug).

[JN2]

- Compatible with JN1, considerably reinforced with metal material in part of the outer shell (strength increased three fold over JN1).
- Uses same crimp contact as the JN1.
- Terminal specification for receptacle and plug differs by series and number of contacts, please refer to general specification for each product. 4-contact receptacle body is grounded.
- 4-contact type is TUV qualified.
- Plug is available in straight and angle types. The cable direction of the angle plug can be set in four directions by rotating the plug in 90 degree increments.
- Contact variations: 4, 10 pos.
- Angle plug mating height is 31.3mm from cabinet surface (4, 10 pos.).
- Waterproof and dustproof conforming to IP67.
- Superb environment-proof performance such as vibration and oil resistance.
- Suitable for conduit mounting.

General Specifications

[JN1]

| Item | Specification and Performance | |
|---|--|---|
| No. of Contacts | 10 pins | 4 pins |
| Rated Current | 3A/pin (#22 size contact) | 5A/pin (#20 size contact) |
| Rated Voltage | 200VAC | 200VAC |
| Withstanding Voltage | 900VAC (per minute) | 2000VAC (per minute) |
| Insulation Resistance | 1000M ohm min.(DC500V energized) | 1000M ohm min.(DC500V energized) |
| Waterproof | IP67 | IP67 |
| Airtightness (Individually Waterproofed) | 2.9×10^4 PA (per minute) without leakage | 2.9×10^4 PA (per minute) without leakage |
| Operating Temperature | -20 Deg. C to +125 Deg.C | -20 Deg. C to +125 Deg.C |
| Specification of Wire Connection | Receptacle: Through-hole, solder connection 22AWG (0.3mm ²) max. Cable connecting receptacle: Crimp connection 20 to 28AWG Plug: Crimp connection 20 to 28AWG Solder connection 20AWG max. | Receptacle: Solder connection 18 AWG (0.75mm ²) max. Cable connecting receptacle and plug: Solder connection 16 AWG (1.25mm ²) max. |
| Product Specification | JACS-5111 | JACS-5111-2 |
| Instruction Manual | J AHL-5111 | J AHL-5111 |
| Durability | 500 mating cycles | 500 mating cycles |

[JN2]

| Item | Specification and Performance | |
|---|--|--|
| No. of Contacts | 10 pins | 4 pins |
| Rated Current | 3A/pin (#22 size contact) | 5A/pin (#20 size contact) |
| Rated Voltage | 200VAC | 200VAC (degree of pollution 3, excess voltage category 3) |
| Withstanding Voltage | 900VAC (per minute) | 2000VAC (per minute) |
| Insulation Resistance | 1000M ohm min. (DC500V energized) | 1000M ohm min. (DC500V energized) |
| Waterproof | IP67 | IP67 |
| Airtightness (Individually Waterproofed) | 2.9 X 10 ⁴ PA (per minute) without leakage | 2.9 X 10 ⁴ PA (per minute) without leakage |
| Operating Temperature | -20 Deg. C to +100 Deg.C | -20 Deg. C to +100 Deg.C |
| Specification of Wire Connection | Receptacle: Through-hole, solder connection 22 AWG (0.3mm ²) max. Plug: Crimp connection 20 to 28 AWG Solder connection 20AWG max. | Receptacle: Solder connection 18AWG (Max.0.75mm ²) Plug: Solder connection (Max.1.25mm ²) |
| Product Specification | JACS-5119 | JACS-5119-2 |
| Instruction Manual | JAHL-5119 | JAHL-5119 |
| Durability | 500 mating cycles | 500 mating cycles |

Please refer to the drawings for each product for further information.

| |
|------------------------|
| Materials and Finishes |
|------------------------|

[JN1]

| | Component | Material / Finish |
|------------------|-------------------|--|
| Receptacle | Pin insulator | Synthetic resin |
| | Pin contact | Copper alloy / Au plating (10 pin), Ag plating (4 pin.) |
| Relay Receptacle | Insulator | Synthetic resin |
| | Assembly nut | Synthetic resin |
| | Straight endbell | Synthetic resin |
| | O Ring | Synthetic rubber |
| | Bushing* | Synthetic rubber (Color: black/gray/brick red/dark green) |
| | Grand nut | Synthetic resin |
| | Pin contact (#22) | Au plating |
| | Pin contact (#20) | Silver plating |
| Plug | Front insulator | Synthetic resin |
| | Rear insulator | Synthetic resin |
| | Coupling nut | Synthetic resin |
| | Assembly nut | Synthetic resin |
| | Angle endbell | Synthetic resin |
| | Straight endbell | Synthetic resin |
| | O Ring | Synthetic rubber |
| | Bushing (*) | Synthetic rubber (Color: black/gray/brick red/dark green) |
| | Grand nut | Synthetic resin |
| | Spring | Stainless steel |
| | Spring pin | Stainless steel |
| | Socket contact | Copper alloy / Au plating (10pin), Silver plating (4pin) |

[JN2]

| | Component | Material / Finish |
|------------|------------------|--|
| Receptacle | Pin insulator | Synthetic resin |
| | Shell | Zinc die-cast / Zinc plating |
| | Pin contact | Copper alloy / Au plating (10 pin), Silver plating (4 pin.) |
| Plug | Front insulator | Synthetic resin |
| | Rear insulator | Synthetic resin |
| | Coupling nut | Zinc die-cast / Zinc plating (Black) |
| | Assembly nut | Zinc die-cast / Zinc plating (Black) |
| | Angle endbell | Synthetic resin |
| | Straight endbell | Synthetic resin |
| | O Ring | Synthetic rubber |
| | Bushing* | Synthetic rubber (Color: black/gray/brick red/dark green) |
| | Grand nut | Synthetic resin |
| | Spring | Stainless steel |
| | Spring pin | Stainless steel |
| | Socket contact | Copper alloy / Au plating (10 pin), Silver plating (4 pin) |

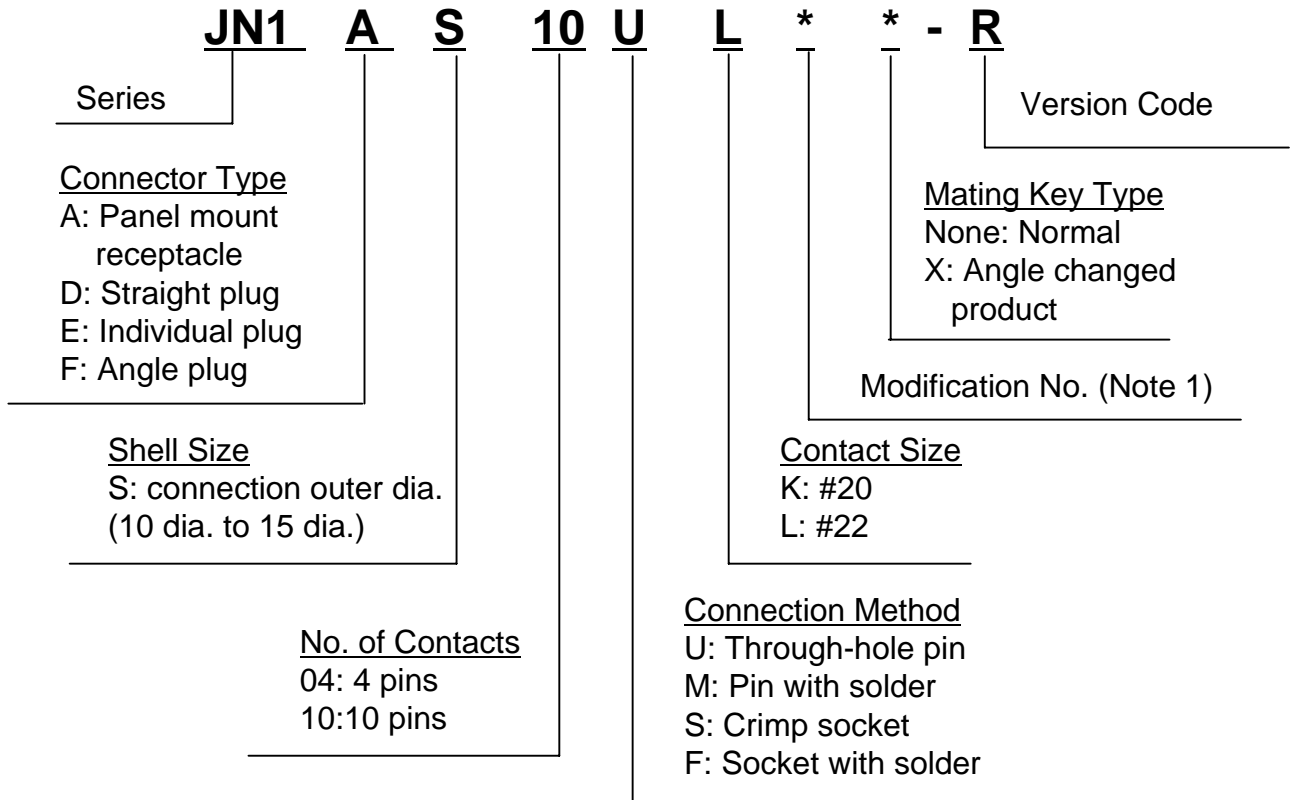
*Color of bushing is determined by applicable wire size. (Same for JN1, JN2)

| Color of Bushing | Applicable Cable |
|------------------|------------------|
| | |
| Gray | 6.5 to 8.0 Dia. |
| Black | 5.7 to 7.3 Dia. |
| Dark Green | 4.7 to 5.7 Dia. |
| Brick Red | 3.5 to 5.0 Dia. |

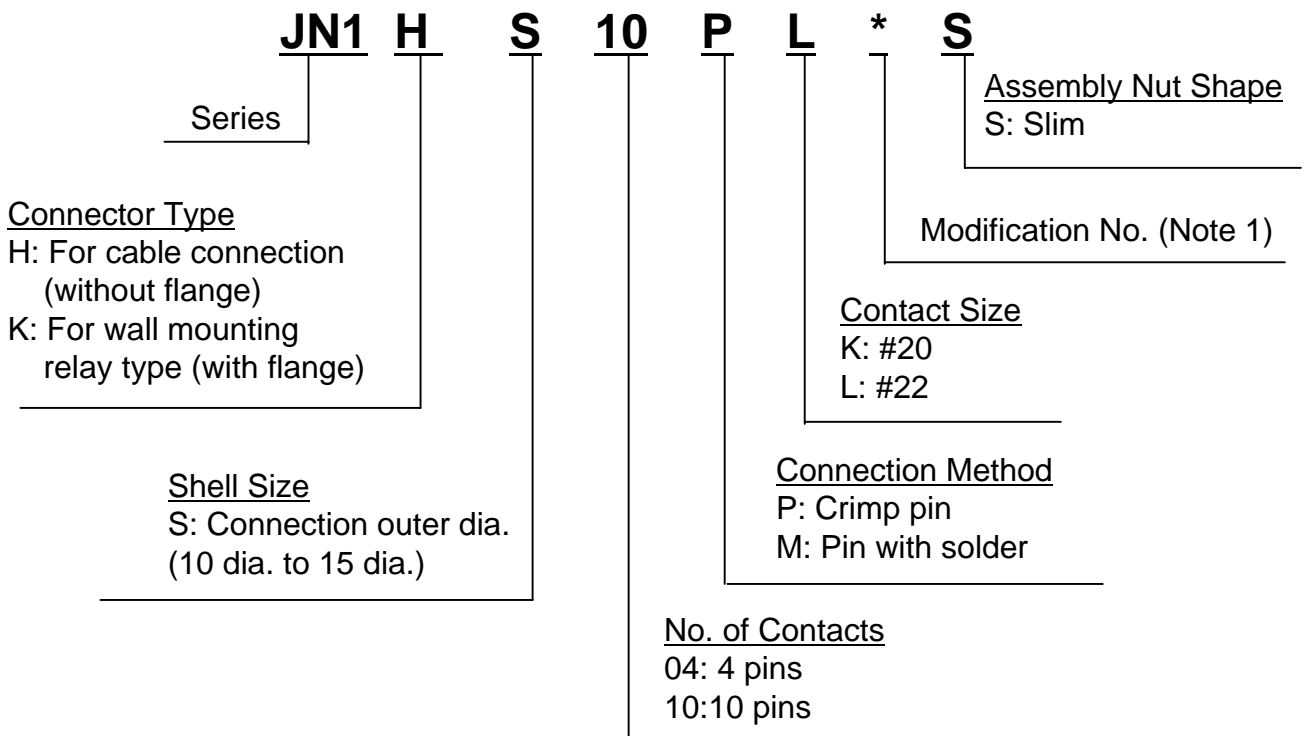
Ordering Information

[JN1]

Receptacle / Plug

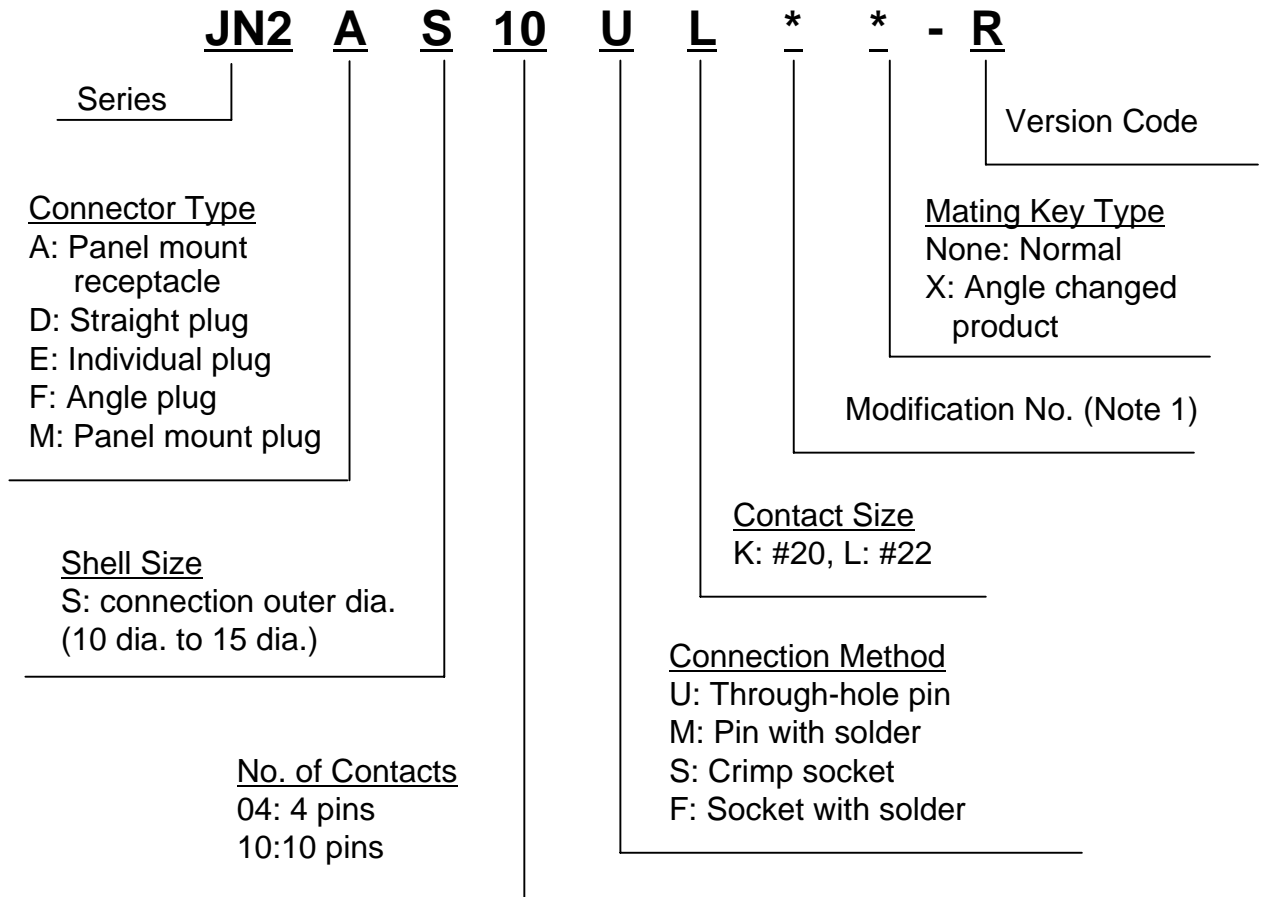


Relay Receptacle



[JN2]

Receptacle / Plug



Note 1: Please refer to product drawings for Modification Number.

■ Part Number List

| | No. of Contacts | Type | Part Number | SJ Drawing | Performance / Shape |
|-----|-----------------|-----------------------------|----------------------|------------|---|
| JN1 | 4 | Square Flange Receptacle | JN1AS04MK1 | 035649 | Individually waterproofed, solder pin |
| | | | JN1AS04MK1X | 035649 | Individually waterproofed, solder pin, X position |
| | | Cable Connecting Receptacle | JN1HS04MK1-R | 105206 | Waterproof (when mated), solder pin, cable dia. 5.7 to 7.3 |
| | | | JN1HS04MK2-R | 105206 | Waterproof (when mated), solder pin, cable dia. 6.5 to 8.0 |
| | | | JN1HS04MK4S | 105841 | Waterproof (when mated), solder pin, cable dia. 4.7 to 5.7, Outer diameter: 20 dia. max. |
| | | | JN1HS04MKKS | 107658 | Waterproof (when mated), solder pin, cable dia. 20 max., kit type (with four types of rubber bushing) |
| | | Wall Mount Receptacle | JN1KS04MK1-R | 105207 | Waterproof (when mated), solder pin, cable dia. 5.7 to 7.3 |
| | | | JN1KS04MK2-R | 105207 | Waterproof (when mated), solder pin, cable dia. 6.5 to 8.0 |
| | | Straight Plug | JN1DS04FK1 | 035666 | Waterproof (when mated), solder socket cable dia. 5.7 to 7.3 |
| | | | JN1DS04FK1X | 035666 | Waterproof (when mated), solder socket cable dia. 5.7 to 7.3, X position |
| | | | JN1DS04FK2 | 035666 | Waterproof (when mated), solder socket cable dia. 6.5 to 8.0 |
| | | | JN1DS04FK2X | 035666 | Waterproof (when mated), solder socket cable dia. 6.5 to 8.0, X position |
| | | | JN1DS04FKK | 035969 | Waterproof (when mated), solder socket kit type (with two types of rubber bushing) |
| | | | JN1DS04FKKX | 035969 | Waterproof (when mated), solder socket kit type (with two types of rubber bushing), X position |
| | | | JN1DS04FKB | 037181 | Waterproof (when mated), solder socket, individual wire type |
| | | | 90 Degree Angle Plug | JN1FS04FK1 | 035610 |
| | | JN1FS04FK1X | | 035610 | Waterproof (when mated), solder socket cable dia. 5.7 to 7.3, X position |
| | | JN1FS04FK2 | | 035610 | Waterproof (when mated), solder socket cable dia. 6.5 to 8.0 |
| | | JN1FS04FK2X | | 035610 | Waterproof (when mated), solder socket cable dia. 6.5 to 8.0, X position |
| | | JN1FS04FKK | | 035968 | Waterproof (when mated), solder socket kit type (with two types of rubber bushing) |
| | | JN1FS04FKKX | | 035968 | Waterproof (when mated), solder socket kit type (with two types of rubber bushing), X position |
| | | Waterproof Cap | J025-52209 | 035565 | JN1, 2 Receptacle (4, 10pos.) for waterproof, IP67 |

| | No. of Con tacts | Type | Part Number | SJ Drawing | Performance / Shape |
|-----|---------------------|-------------------------------------|--------------------------|---------------|--|
| JN1 | 10 | Rectangular Flange Receptacle | JN1AS10UL1 | 034676 | Waterproof (when mated), through-hole pin |
| | | Square Flange Receptacle | JN1AS10ML1-R | 105743 | Waterproof (when mated), solder pin |
| | | | JN1AS10ML2-R | 105745 | Individually waterproofed, solder pin |
| | | Cable Connecting Receptacle | JN1HS10PL1 | 037293 | Waterproof (when mated), crimp pin cable dia. 5.7 to 7.3 |
| | | | JN1HS10PL2 | 037293 | Waterproof (when mated), crimp pin cable dia. 6.5 to 8.0 |
| | | | JN1HS10PL3 | 037293 | Waterproof (when mated), crimp pin cable dia. 3.5 to 5.0 |
| | | | JN1HS10PL3S | 105842 | Waterproof (when mated), crimp pin cable dia. 3.5 to 5.0, outer diameter: 20 dia. max. |
| | | | JN1HS10PL4S | 105842 | Waterproof (when mated), crimp pin cable dia. 5.7 to 7.3, outer diameter: 20 dia. max. |
| | | | JN1HS10PLKS1 | 107656 | Waterproof (when mated), crimp pin cable dia. 5.7 to 7.3, kit type (with rubber bushing and 10 contacts) |
| | | | JN1HS10PLKS2 | 107656 | Waterproof (when mated), crimp pin cable dia. 5.7 to 7.3, kit type (with rubber bushing and 10 contacts) |
| | | | JN1HS10PLKS3 | 107656 | Waterproof (when mated), crimp pin cable dia. 5.7 to 7.3, kit type (with rubber bushing and 10 contacts) |
| | | | Wall Mount Receptacle | JN1KS10PL1 | 037294 |
| | | JN1KS10PL2 | | 037294 | Waterproof (when mated), crimp pin cable dia. 6.5 to 8.0 |
| | | Individual Plug | JN1ES10SL1 | 034677 | Non-waterproof, crimp socket, individual block |
| | | Straight Plug | JN1DS10SL1 | 034679 | Waterproof (when mated), crimp or solder socket (sold separately) cable dia. 5.7 to 7.3 |
| | | | JN1DS10SL2 | 034679 | Waterproof (when mated), crimp or solder socket (sold separately) cable dia. 6.5 to 8.0 |
| | | | JN1DS10SL3 | 034679 | Waterproof (when mated), crimp or solder socket (sold separately) cable dia. 3.5 to 5.0 |
| | | | JN1DS10SLK | 034679 | Waterproof (when mated), crimp socket, kit type (with 10 contacts and two types of rubber bushing) |
| | | 90 Degree Angle Plug | JN1FS10SL1 | 034678 | Waterproof (when mated), crimp or solder socket (sold separately) cable dia. 5.7 to 7.3 |
| | | | JN1FS10SL2 | 034678 | Waterproof (when mated), crimp or solder socket (sold separately) cable dia. 6.5 to 8.0 |
| | | | JN1FS10SLK | 034678 | Waterproof (when mated), crimp socket, kit type (with 10 contacts and two types of rubber bushing) |
| | | Waterproof Cap | J025-52209 | 035565 | JN1, 2 Receptacle (4, 10pos.) for waterproof, IP67 |

| | No. of Contacts | Contact Type | Connection Type | Figuration | Part Number | SJ Drawing | Performance / Shape |
|-----|-----------------|------------------------|--------------------|---------------------------------|---------------------|---------------------------------|--|
| JN1 | 10 | Socket Contact | Crimp | In pieces (100pcs.) | JN1-22-20S-R-PKG100 | SJ035503 | 20-21AWG Outer Dia. 1.5 max. |
| | | | | | JN1-22-22S-PKG100 | SJ035503 | 21-25AWG Outer Dia. 1.5 max. |
| | | | | | JN1-22-26S-PKG100 | SJ035503 | 26-28AWG Outer Dia. 1.1 max. |
| | | | | In reels (10,000 pcs.) | JN1-22-20S-R-10000 | SJ035504 | 20-21AWG Outer Dia. 1.5 max. |
| | | | | | JN1-22-22S-10000 | SJ035504 | 21-25AWG Outer Dia. 1.5 max. |
| | | | | | JN1-22-26S-10000 | SJ035504 | 26-28AWG Outer Dia. 1.1 max. |
| | | | Solder | In pieces | JN1-22-22F-PKG100 | SJ109855 | In pieces(10pcs.), AWG#20 max. Outer Dia. 1.5 max. |
| | | | | | JN1-22-22F-PKG10 | SJ109855 | In pieces(10pcs.), 20AWG max. Outer Dia. 1.5 max. |
| | | | | | Pin Contact | Crimp | In pieces (100pcs.) |
| | | JN1-22-22P-PKG100 | SJ037430 | 21-25AWG Outer Dia. 1.5 max. | | | |
| | | JN1-22-26P-PKG100 | SJ037430 | 26-28AWG Outer Dia. 1.1 max. | | | |
| | | In reels (10,000 pcs.) | JN1-22-20P-R-10000 | SJ037431 | | 20-21AWG Outer Dia. 1.5 max. | |
| | | | JN1-22-22P-10000 | SJ037431 | | 21-25AWG Outer Dia. 1.5 max. | |
| | | | JN1-22-26P-10,000 | SJ037431 | | 26-28AWG Outer Dia. 1.1 max. | |

* JN2 contact is in common with JN1.

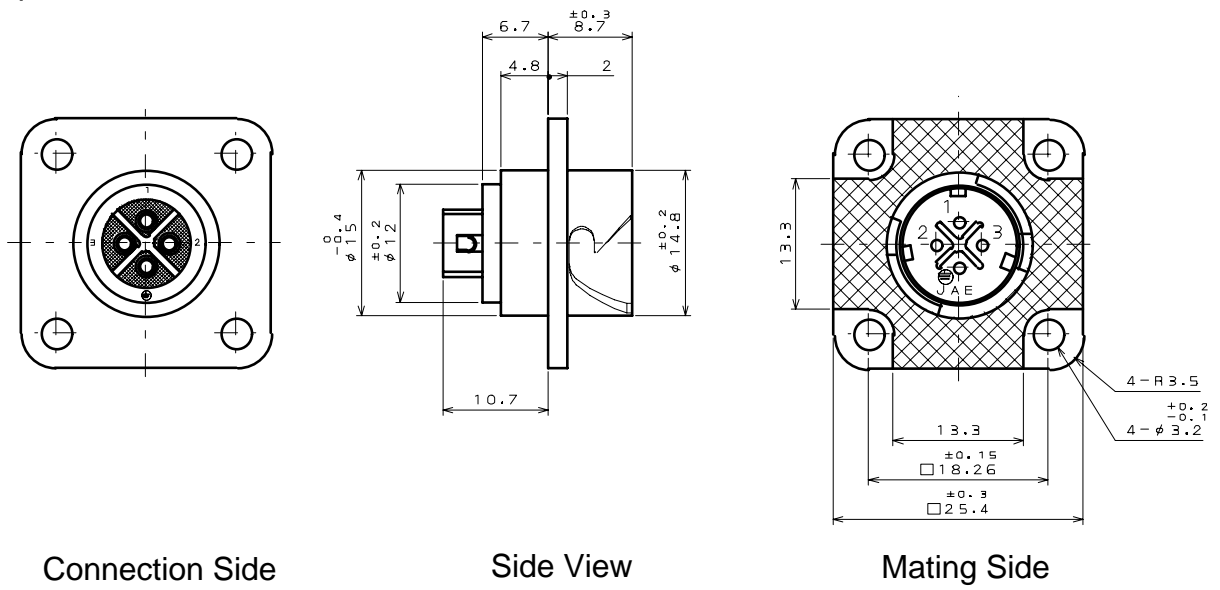
■ Part Number List

| | No. of Contacts | Type | Part Number | SJ Drawing | Performance / Shape |
|-----|-----------------|--------------------------|---------------|------------|---|
| JN2 | 4 | Square Flange Receptacle | JN2AS04MK2-R | 105530 | Individually waterproofed, solder pin, body earth structure |
| | | | JN2AS04MK2X-R | 105530 | Individually waterproofed, solder pin, body earth structure, X position |
| | | Straight Plug | JN2DS04FK1-R | 105532 | Waterproof (when mated), solder socket, cable dia. 5.7 to 7.3 |
| | | | JN2DS04FK1X-R | 105532 | Waterproof (when mated), solder socket, cable dia. 5.7 to 7.3, X position |
| | | | JN2DS04FK2-R | 105532 | Waterproof (when mated), solder socket, cable dia. 6.5 to 8.0 |
| | | | JN2DS04FK2X-R | 105532 | Waterproof (when mated), solder socket, cable dia. 6.5 to 8.0, X position |
| | | | JN2DS04FKK-R | 105536 | Waterproof (when mated), solder socket, kit type (with two types of rubber bushing) |
| | | | JN2DS04FKKX-R | 105536 | Waterproof (when mated), solder socket, kit type (with two types of rubber bushing), X position |
| | | Angle Plug | JN2FS04FK1X-R | 105531 | Waterproof (when mated), solder socket, cable dia. 5.7 to 7.3 |
| | | | JN2FS04FK1X-R | 105531 | Waterproof (when mated), solder socket, cable dia. 5.7 to 7.3, X position |
| | | | JN2FS04FK2-R | 105531 | Waterproof (when mated), solder socket, cable dia. 6.5 to 8.0 |
| | | | JN2FS04FK2X-R | 105531 | Waterproof (when mated), solder socket, cable dia. 6.5 to 8.0, X position |
| | | | JN2FS04FKK-R | 105535 | Waterproof (when mated), solder socket, kit type (with two types of rubber bushing) |
| | | | JN2FS04FKKX-R | 105535 | Waterproof (when mated), solder socket, kit type (with two types of rubber bushing), X position |
| | | Waterproof Cap | J025-52209 | 035565 | JN1, 2 Receptacle (4, 10pos.) for waterproof, IP67 |

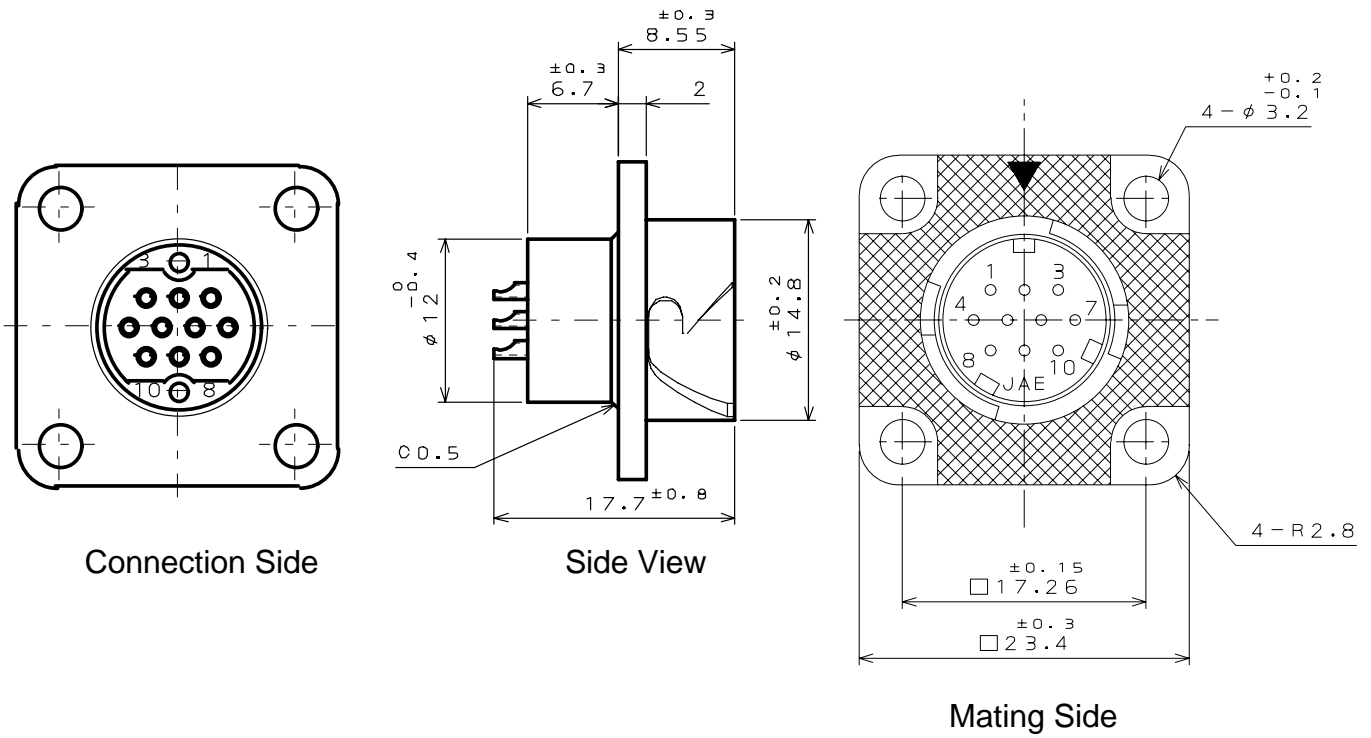
| | No. of Contacts | Type | Part Number | SJ Drawing | Performance / Shape |
|-----|-----------------|-------------------------------|--------------|------------|--|
| JN2 | 10 | Square Flange Receptacle | JN2AS10ML1-R | 105537 | Waterproof (when mated), solder pin |
| | | | JN2AS10ML2-R | 105538 | Individually waterproofed, solder pin |
| | | Panel Mount Plug | JN2MS10SL1-R | 105544 | Waterproof (when mated), crimp socket |
| | | | JN2MS10SLK-R | 105996 | Waterproof (when mated), crimp socket kit type (with 10 contacts) |
| | | Rectangular Flange Receptacle | JN2AS10UL1-R | 105527 | Waterproof (when mated), through-hole pin |
| | | Straight Plug | JN2DS10SL1-R | 105529 | Waterproof (when mated), crimp socket cable dia. 5.7 to 7.3 |
| | | | JN2DS10SL2-R | 105529 | Waterproof (when mated), crimp socket cable dia. 6.5 to 8.0 |
| | | | JN2DS10SL3-R | 105529 | Waterproof (when mated), crimp socket cable dia. 3.5 to 5.0 |
| | | | JN2DS10SLN-R | 105529 | Waterproof (when mated), crimp socket, without bushing |
| | | | JN2DS10SLK-R | 105534 | Waterproof (when mated), crimp socket, kit type (with 10 contacts and two types of rubber bushing) |
| | | Angle Plug | JN2FS10SL1-R | 105528 | Waterproof (when mated), crimp socket cable dia. 5.7 to 7.3 |
| | | | JN2FS10SL2-R | 105528 | Waterproof (when mated), crimp socket cable dia. 6.5 to 8.0 |
| | | | JN2FS10SL3-R | 105528 | Waterproof (when mated), crimp socket cable dia. 3.5 to 5.0 |
| | | | JN2FS10SLN-R | 105528 | Waterproof (when mated), crimp socket, without bushing |
| | | | JN2FS10SLK-R | 105533 | Waterproof (when mated), crimp socket, kit type (with 10 contacts and two types of rubber bushing) |
| | | Waterproof Cap | J025-52209 | 035565 | JN1, 2 Receptacle (4, 10pos.) for waterproof, IP67 |

* Please contact us when considering bushing.

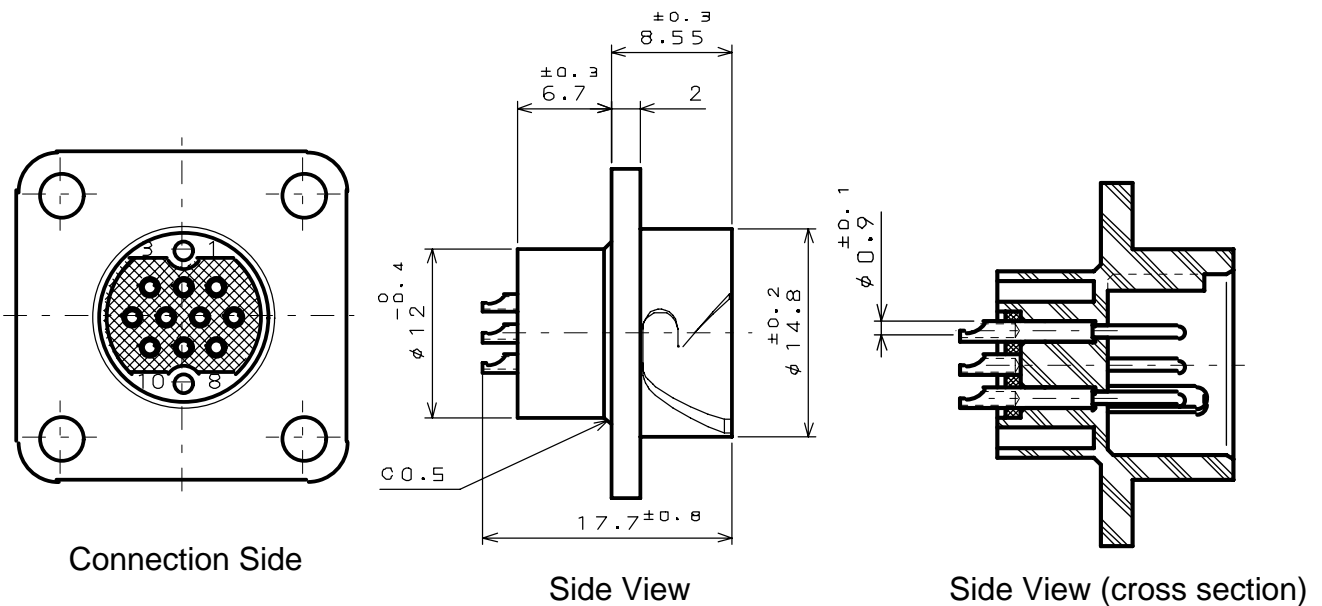
■ Receptacle JN1AS04MK1*



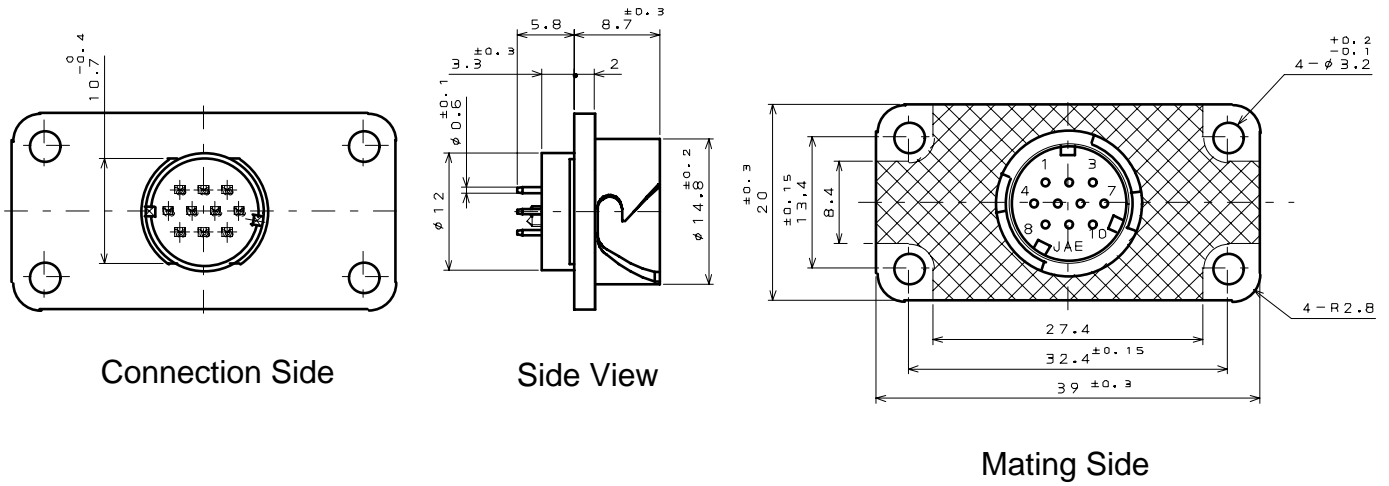
■ Receptacle JN1AS10ML1-R



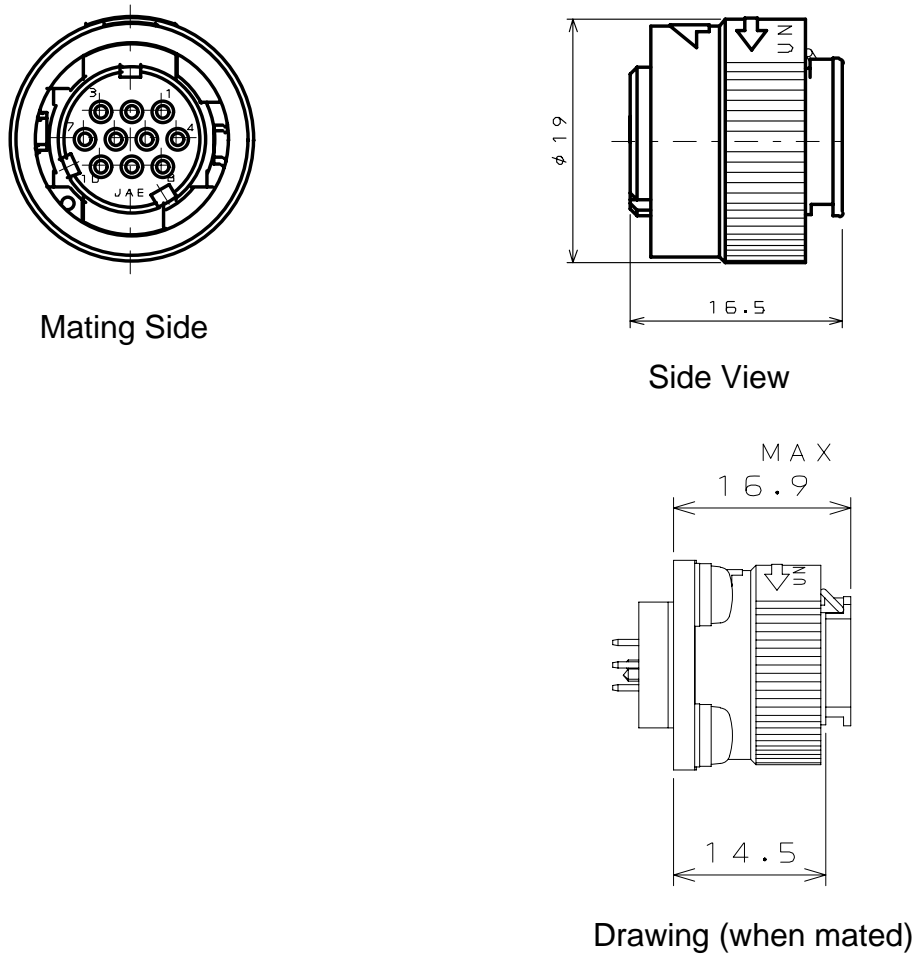
■ Receptacle JN1AS10ML2-R



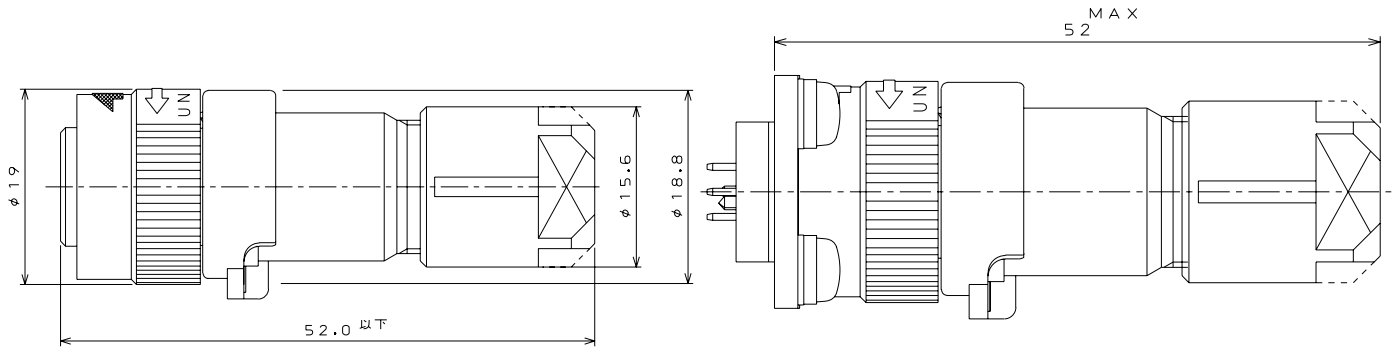
■ Receptacle JN1AS10UL1



■ Individual Plug JN1ES10SL1

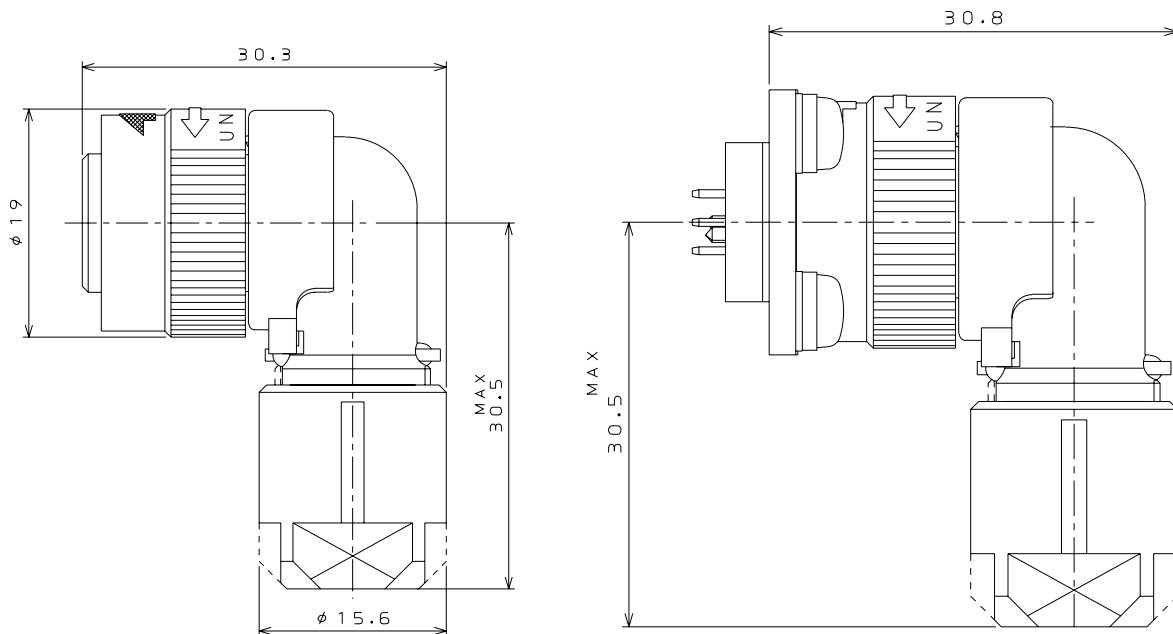


■ Straight Plug JN1DS10SL*
JN1DS04FK**



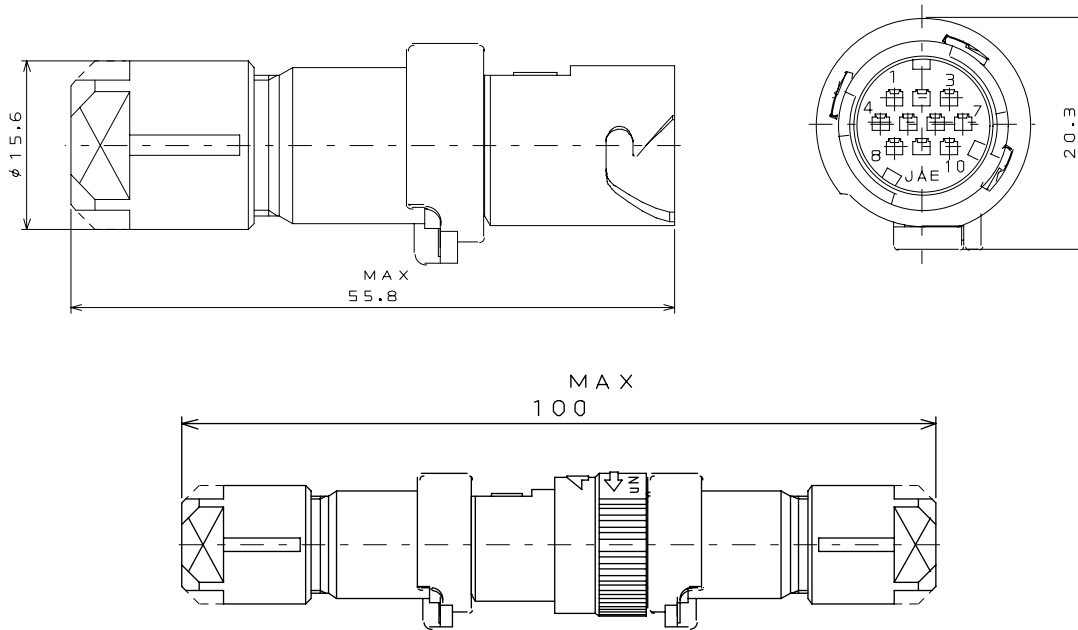
Drawing (when mated)

■ Angle Plug JN1FS10SL*
JN1FS04FK**



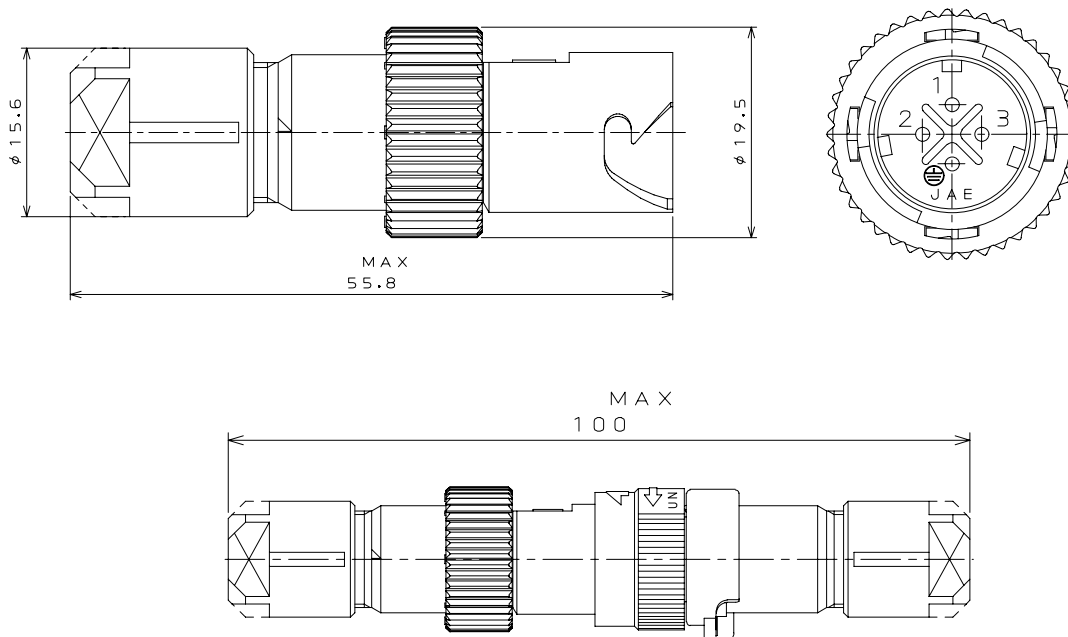
Drawing (when mated)

■ Cable Connecting Receptacle JN1HS04MK*-R
JN1HS10PL*



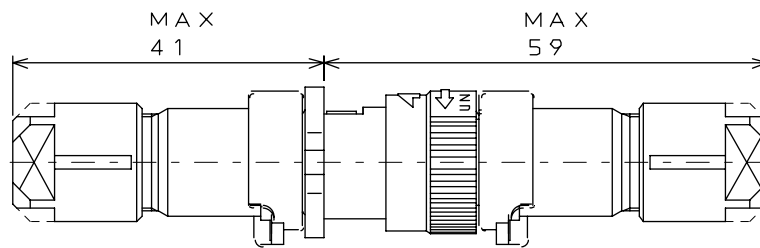
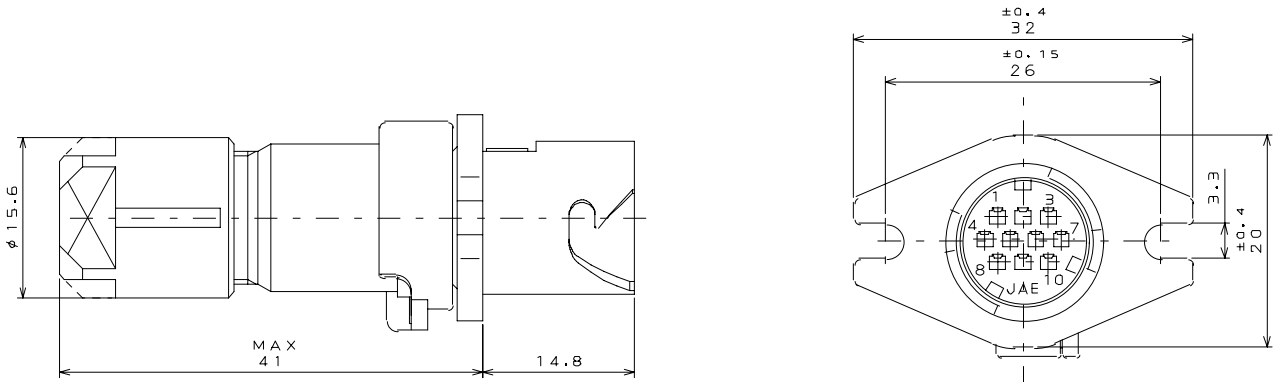
Drawing (when mated)

■ Cable Connecting Receptacle JN1HS04MK*S
JN1HS10PL*S



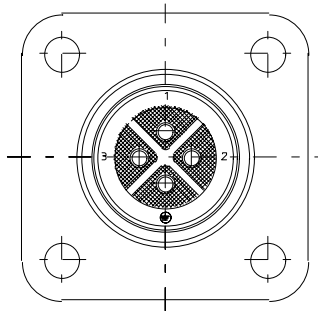
Drawing (when mated)

■ Wall Mounting Receptacle JN1KS04MK*-R
JN1KS10PL*

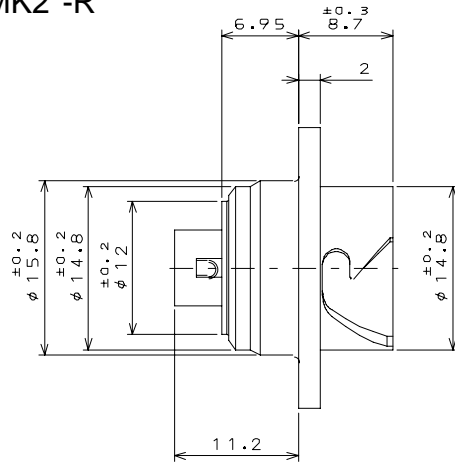


Drawing (when mated)

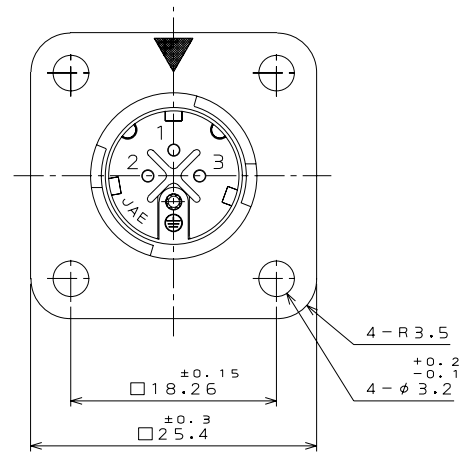
■ Receptacle JN2AS04MK2*-R



Connection Side

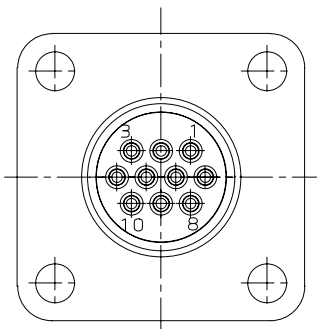


Side View

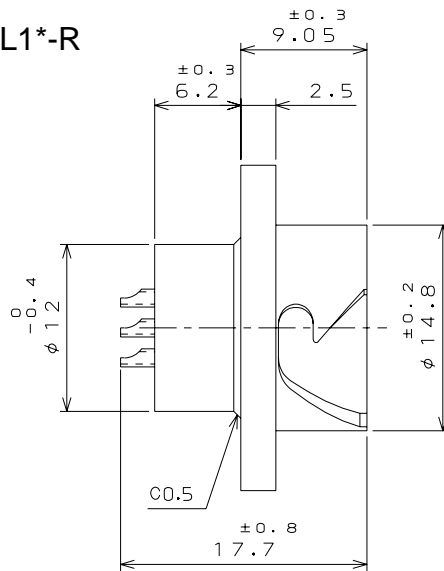


Mating Side

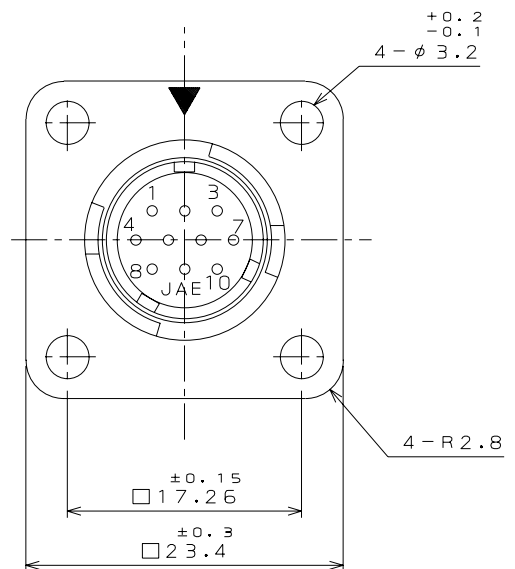
■ Receptacle JN2AS10ML1*-R



Connection Side

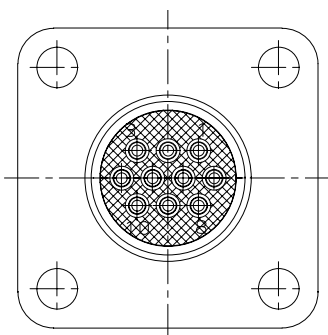


Side View

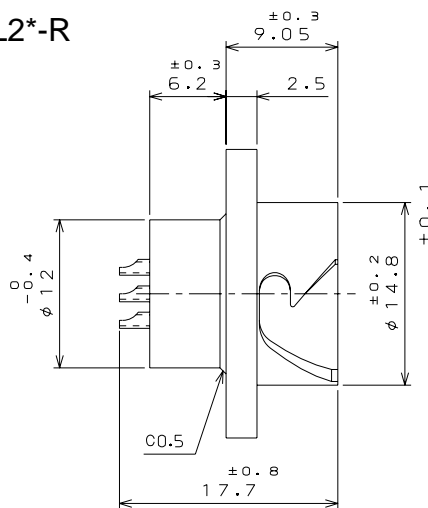


Mating Side

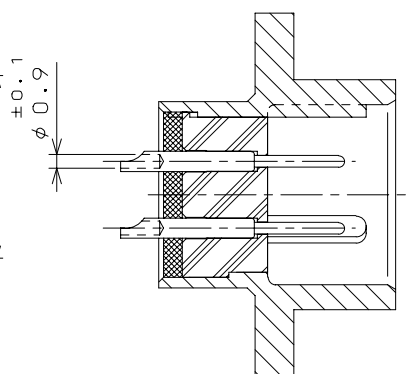
■ Receptacle JN2AS10ML2*-R



Connection Side

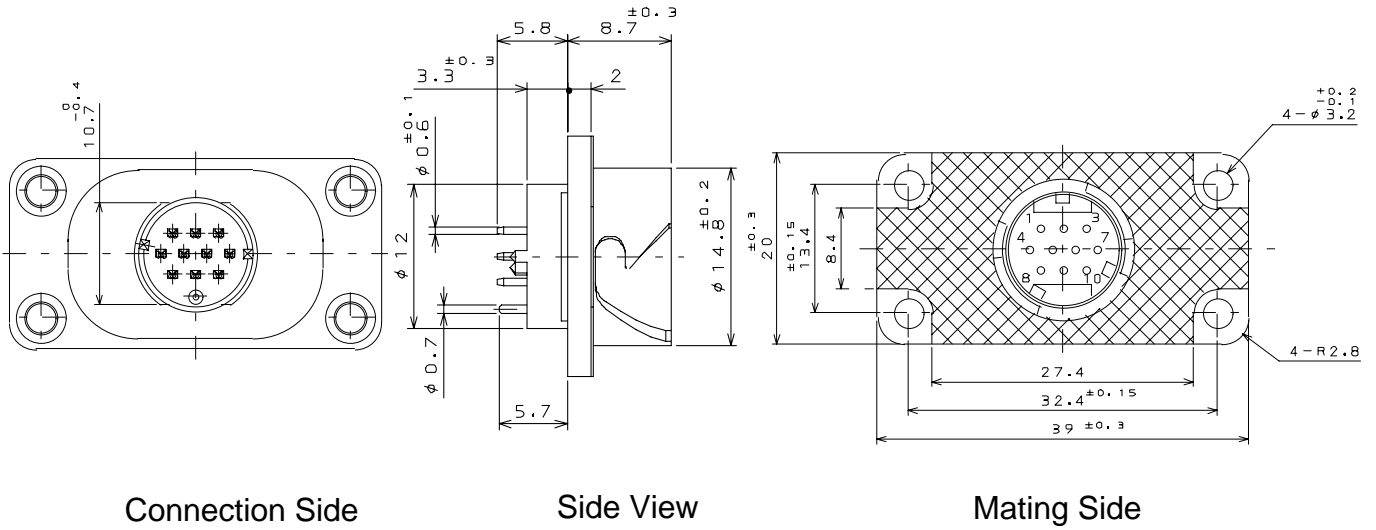


Side View

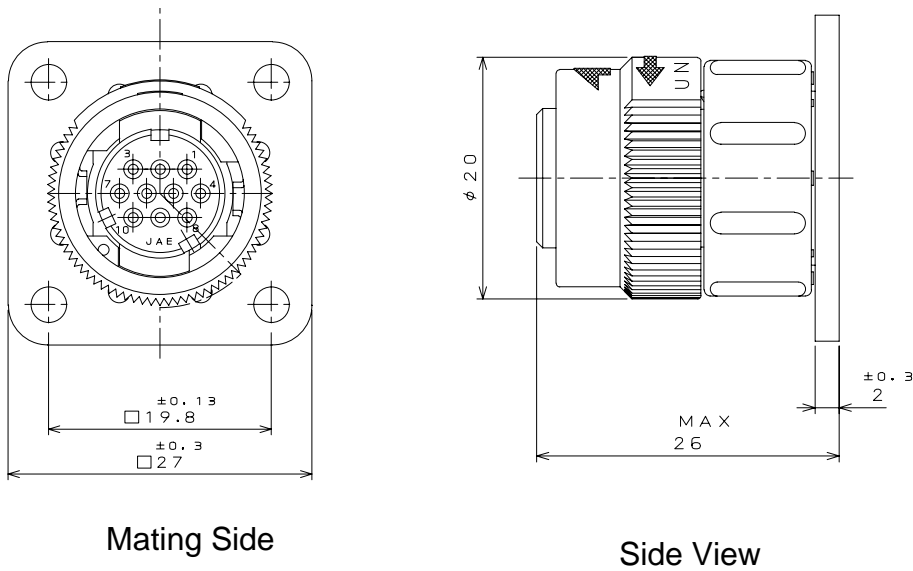


Side View (cross section)

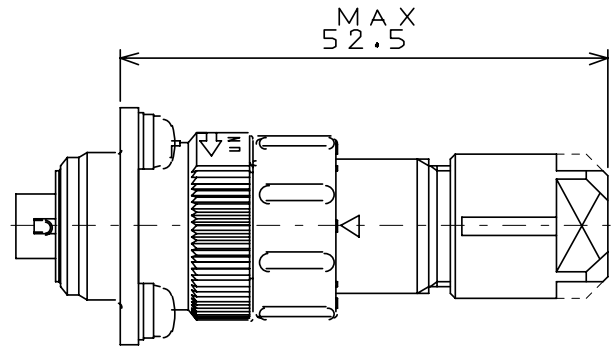
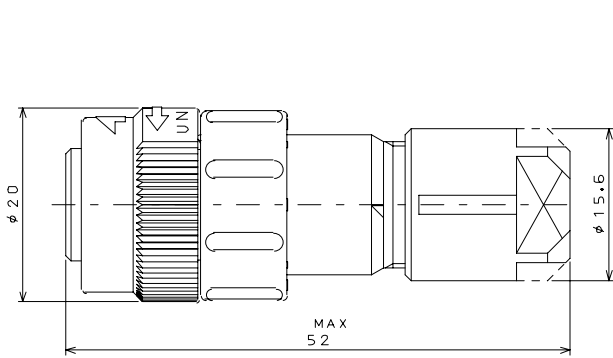
■ Receptacle JN2AS10UL1-R



■ Panel Mount Plug JN2MS10SL*-R

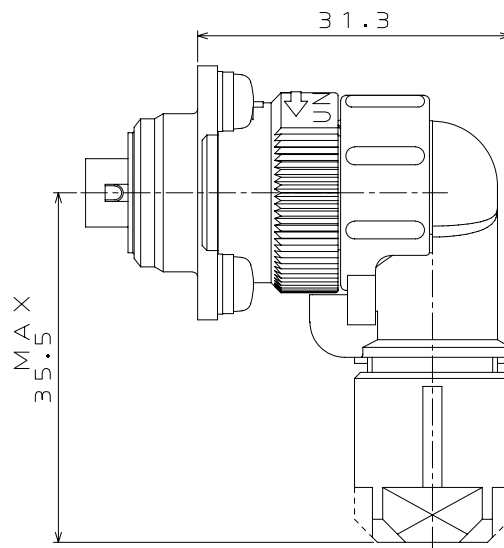
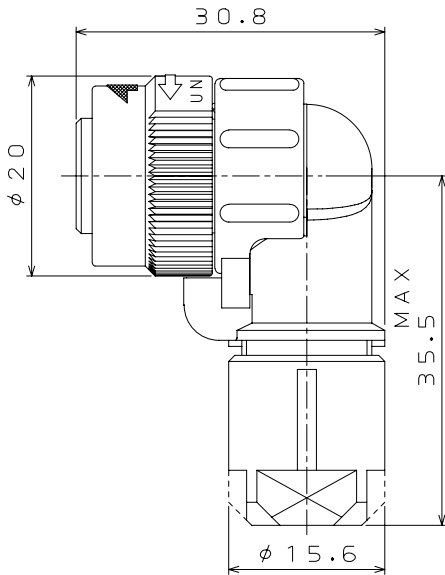


■ Straight Plug JN2DS04FK**-R
JN2DS10SL*-R



Drawing (when mated)

■ Angle Plug JN2FS04FK**-R
JN2FS10SL*-R



Drawing (when mated)

[Chart of Applicable Wires and Tooling]

| Type of Tool | Instruction Manual for Tooling | Applicable Tooling | Applicable Wire | Outer Diameter | Part Number of Applicable Contact (Note 1) |
|---|--------------------------------|--------------------|-----------------|-----------------|--|
| Hand crimp (for contacts in pieces) | T700253 | CT150-2-JN1-D | 20, 21AWG | Dia. 1.3 to 1.5 | JN1-22-20*-R-PKG100 |
| | | | 25AWG | Dia. 0.8 to 1.0 | JN1-22-22*-PKG100 |
| | | CT150-2-JN1-E | 21, 23AWG | Dia. 1.0 to 1.5 | JN1-22-22*-PKG100 |
| | | | 25AWG | Dia. 0.8 to 1.0 | |
| | T700238 | CT150-2-JN1-B | 22, 24AWG | Dia. 1.0 to 1.3 | JN1-22-22*-PKG100 |
| | | | 26, 28AWG | Dia. 0.8 to 1.0 | JN1-22-26*-PKG100 |
| Semi-Automatic crimp (for reel contacts) | T703294 | 350-JN1-2C | 20 to 28AWG | Dia. 0.8 to 1.5 | JN1-22-20*-R-10000 JN1-22-22*-10000 JN1-22-26*-10000 |

Note 1: The * in the part number will stand for P: Pin contact, S: Socket contact.

Note 2: Please contact us concerning connection tool, contact removal tool and the RoHS compliance of tools for the JN1 and 2 series.

■ Suggested Conduit

| | Model |
|----------------------|-------------------------|
| Neoflex | RQJN-M13-9, RQJN-M13-16 |
| Daiwa Dengyo | PCJN-12-M13F |
| Sankei Seisakusho | N2KY16-FN3 |

Please consult with conduit manufacturer regarding use of each conduit.

Japan Aviation Electronics Industry, Limited

Product Marketing Division
Aobadai Building, 3-1-19, Aobadai, Meguro-ku,
Tokyo 153-8539
Phone: +81-3-3780-2897 FAX: +81-3-3780-2946

Notice: Products shown in this leaflet are made for the applications listed below. However, if the above-mentioned products are to be used in aerospace devices, marine cable-connection devices, atomic power control systems, medical equipment for life-support systems, or any other specific application requiring extremely high reliability, please contact JAE for further information.

Recommended applications: Computers, Office machines, Measuring devices, Telecommunication devices (Terminals, Mobile devices), AV devices, Household applications, FA devices, etc.