

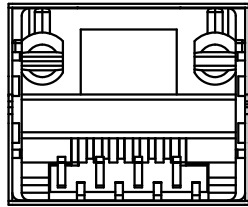
5

4

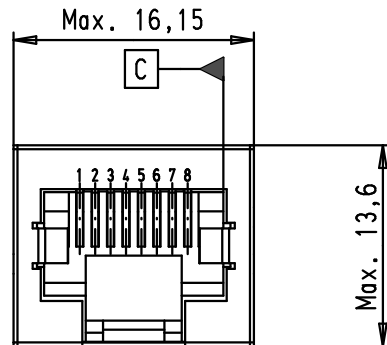
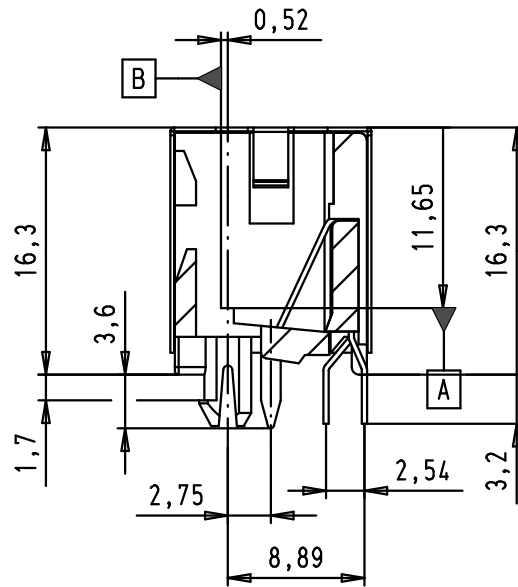
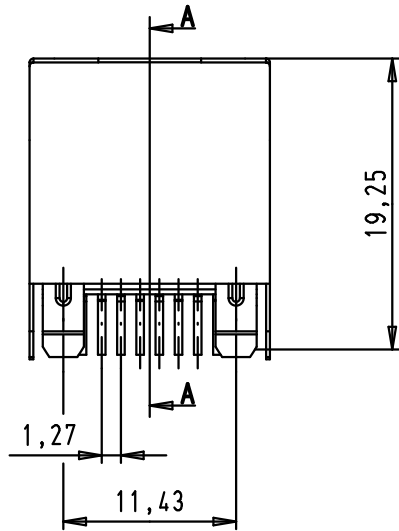
3

2

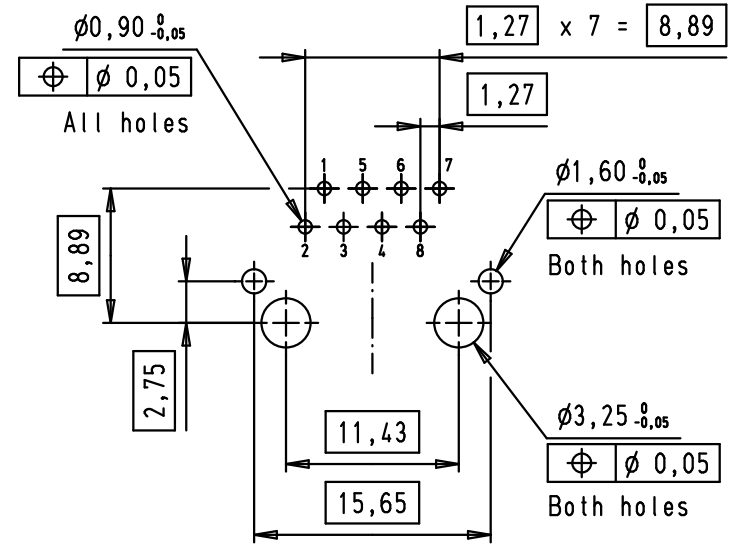
1



A-A





PCB layout, component side



Material:

- Shielding: Copper alloy with nickel plating
- Housing: PBT, UL-94-V0, black
- Insert: PBT, UL-94-V0, black
- Contact: -Phosphor bronze, selective gold plating over nickel in contact area  
-Tin plating over nickel in solder area

			Detail.	Dat.	Name	 All Dim. in mm Orig. Size DIN A 4	HARTING RJ industrial <sup>®</sup> RJ45 jack THT with 8 signal terminations and 2 grounding terminations	Maßstab/ Scale	
			Insp.	09/01/12	JB			TB 09 45 551 1103 Sub. MB 00 45 0139	2:1
36286	09/01/12	SD	Stand.						Blatt/ Page 1 / 1
35070	06/08/08	PK	HARTING EURL F-95972 Paris						
34910	09/04/08	LP	Mod.	Dat.	Name				