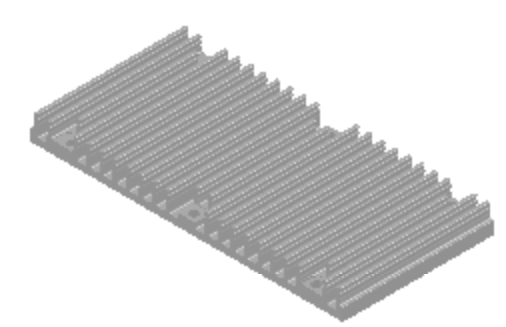
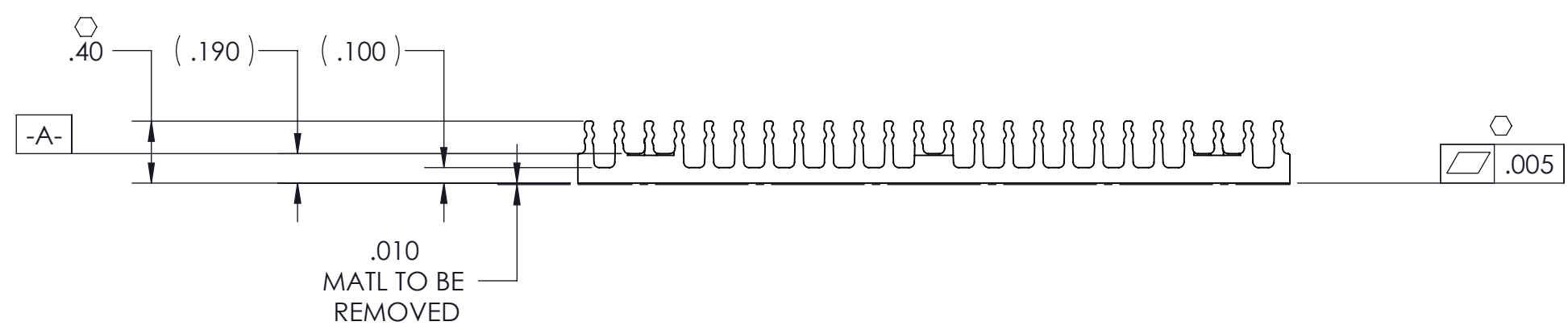
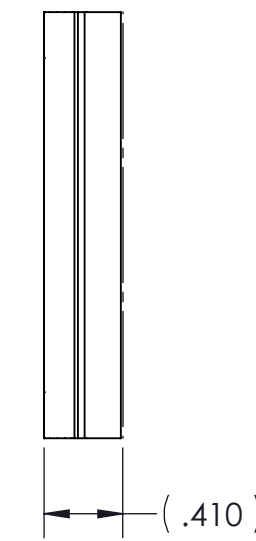
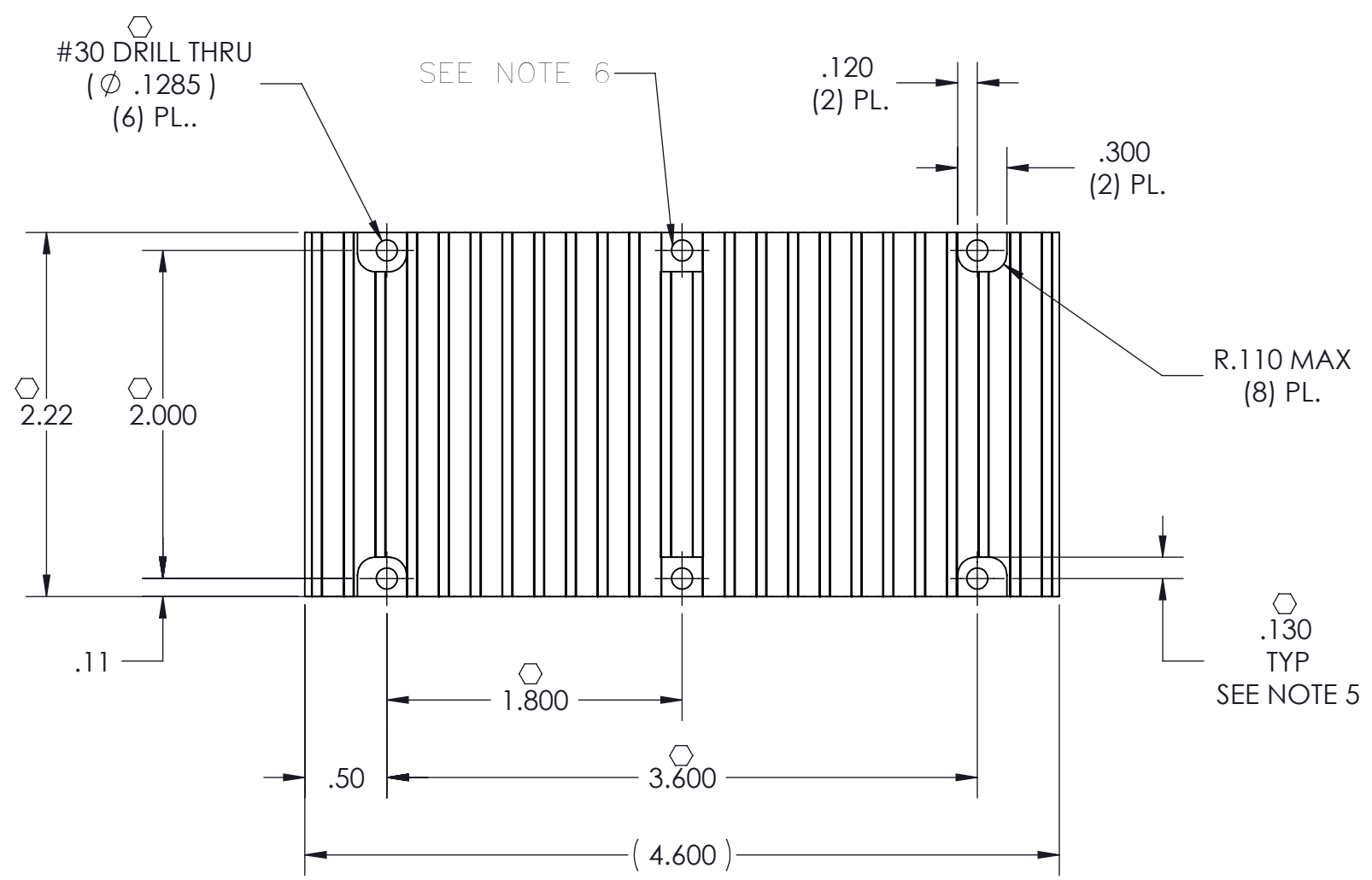


VICOR CONFIDENTIAL
 THIS DOCUMENT AND THE DATA DISCLOSED HEREIN OR
 HEREWITH IS NOT TO BE REPRODUCED, USED OR
 DISCLOSED IN WHOLE OR IN PART TO ANYONE WITHOUT
 THE PERMISSION OF VICOR CORP.

REVISIONS				
REV	DESCRIPTION	DATE	APPROVED	
1	RELEASED PER E053437	LEK	11/15/05	EF
2	REVISED PER E090943	AR	06/03/09	REJH
3	REDRAWN PER E100871	DCS	6/8/10	KUK

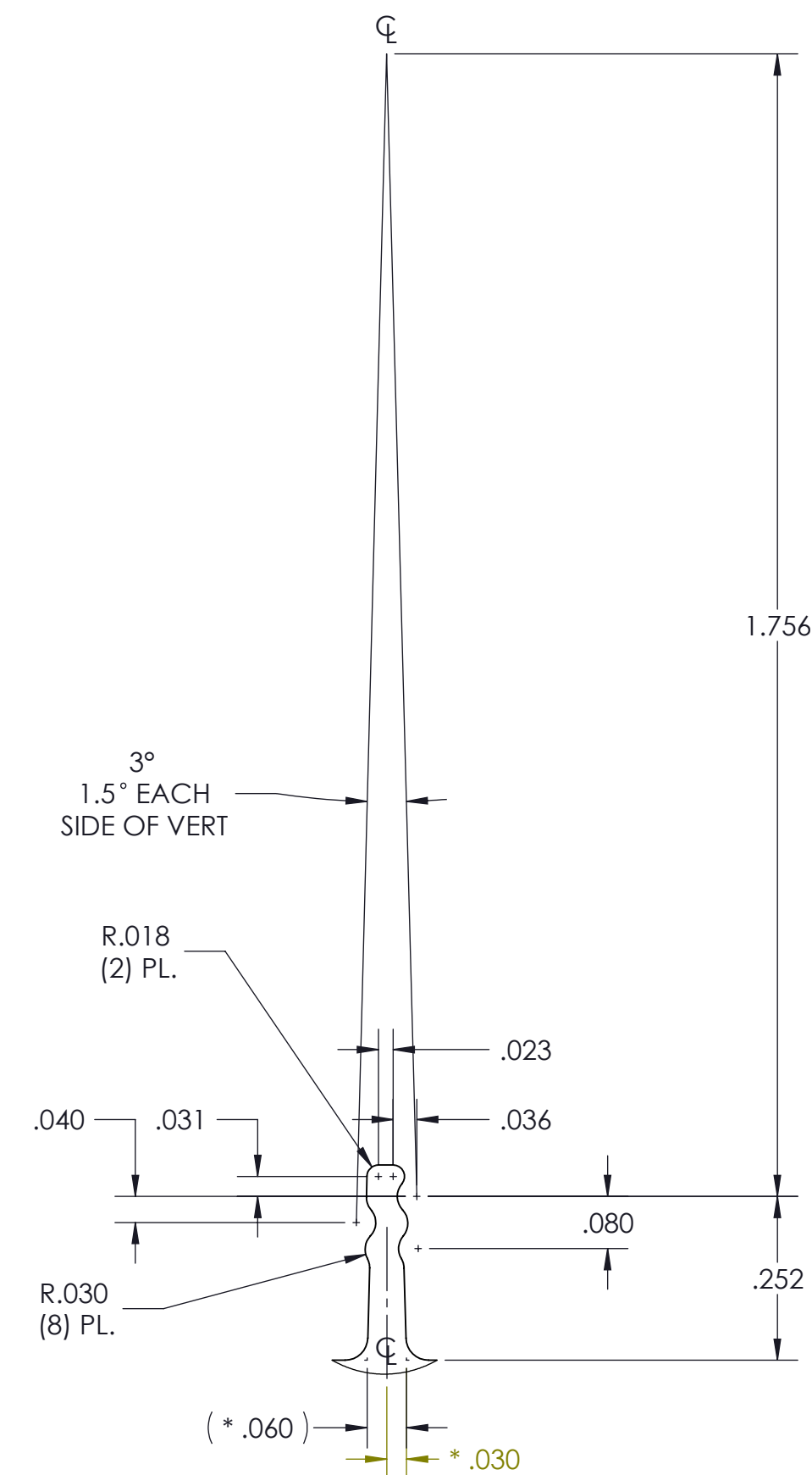
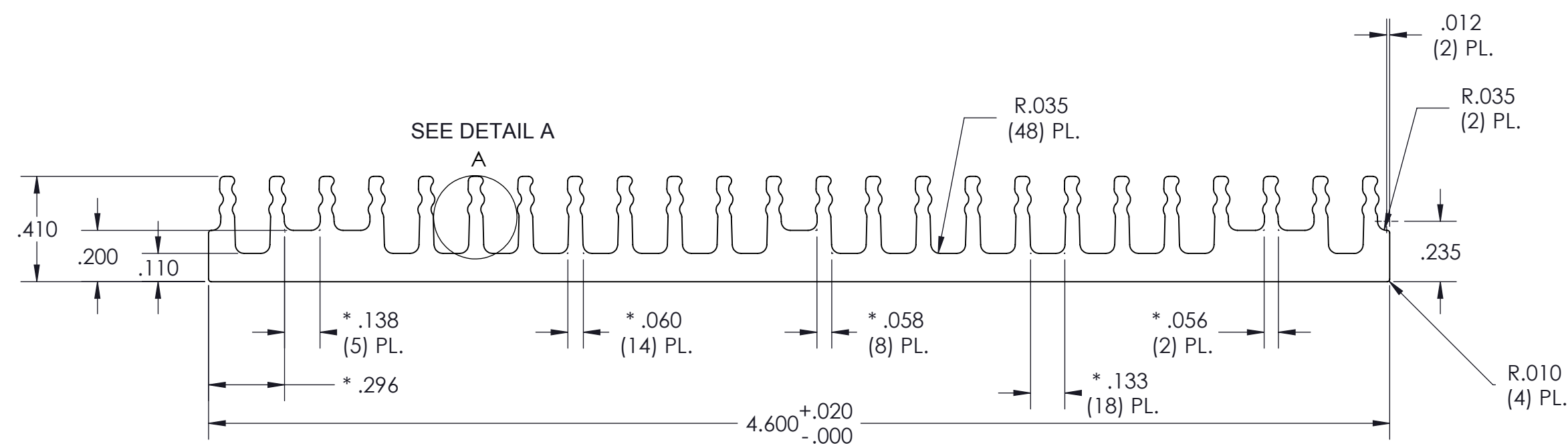


- NOTES:
1. MATERIAL: EXTRUSION SEE SHEET 2 OF 2
 2. REMOVE ALL BURRS AND SHARP EDGES.
 3. CLEAR FINISH, RoHS COMPLIANT, CHROMIUM FREE PER CST-0001 LATEST REVISION.
 4. "⊕" DENOTES CRITICAL CHARACTERISTIC FOR LOT INSPECTION.
 5. DIMENSIONS APPLIES AT SURFACE -A- (2) PL.
 6. MACHINED SURFACE TO BE .010 MAX BELOW SURFACE -A- (6) PLACES.
 7. DIMENSIONS ARE INCHES ONLY

DRAWN		DATE					
D.P. KELLY		10/05					
MATERIAL		UNLESS OTHERWISE SPECIFIED DIMENSIONS ARE INCH [MM] TOLERANCES ARE: DECIMALS ANGLES X.XX [X.X] = ±0.01 [0.25] ±1° X.XXX [X.XX] = ±0.005 [0.127]		HS CFG "A" .4H X-FLOW LOW FLOW THRU HOLE			
SEE NOTES							
FINISH		THIRD ANGLE PROJECTION		SIZE	CAGE CODE	DWG NO	REV
SEE NOTES				C	67131	30720	3
				SCALE 1 : 1		SHEET 1 OF 1	

THIS DOCUMENT AND THE DATA DISCLOSED HEREIN OR HEREWITH IS NOT TO BE REPRODUCED, USED OR DISCLOSED IN WHOLE OR IN PART TO ANYONE WITHOUT THE PERMISSION OF VICOR CORP.

REV	DESCRIPTION	DATE	APPROVED
	SEE SHEET 1 OF 2		



DETAIL A
SCALE 4 : 1

PROFILE COMMON FOR
30778
30720

NOTES:

1. MAT'L: ALUMINUM 6063-T5
2. *DENOTES DIMENSION TO THEORETICAL SHARP CORNER
3. DIMENSIONS ARE INCHES ONLY

DRAWN A. RAGIPANI		DATE 06/03/09		VICOR <small>SWD</small>	
MATERIAL XXXXXX		UNLESS OTHERWISE SPECIFIED DIMENSIONS ARE INCH [MM] TOLERANCES ARE: DECIMALS ANGLES X.XX [X.X] = ±0.01 [0.25] ±1° X.XXX [X.XX] = ±0.005 [0.127]		HS CFG "A" .4H X-FLOW, LOW FLOW THRU HOLE, EXTRUSION	
FINISH XXXXXX		THIRD ANGLE PROJECTION 		SIZE C	CAGE CODE 67131
		DO NOT SCALE DRAWING		DWG NO 30720	REV 3
				SCALE 2 : 1 SHEET 2 OF 2	

Mouser Electronics

Authorized Distributor

Click to View Pricing, Inventory, Delivery & Lifecycle Information:

[Vicor:](#)

[30720](#)