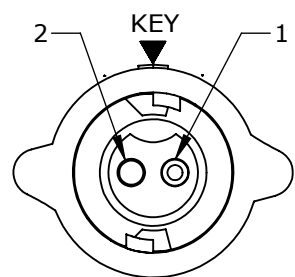


APPROVED BY: DATE: MFG. ENG. QA

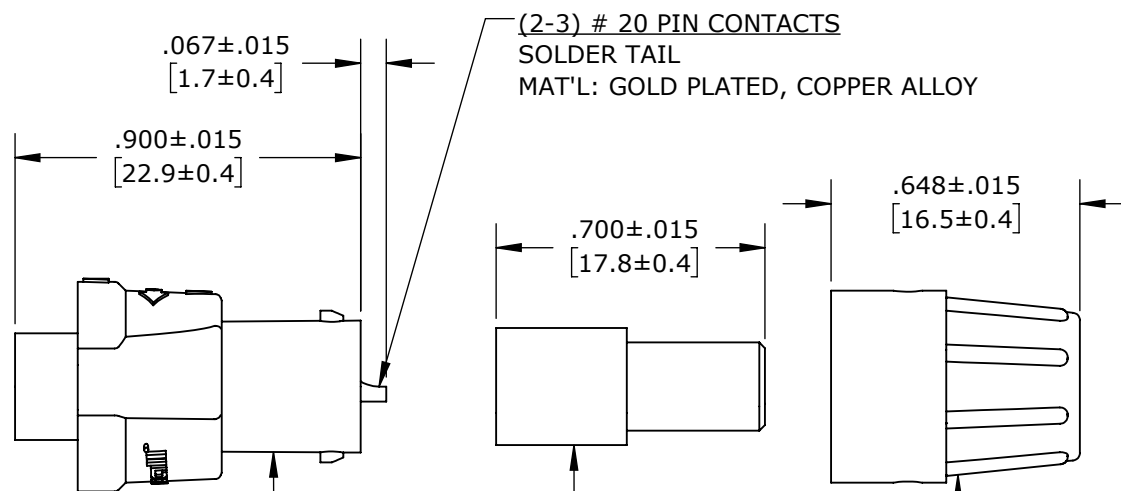
ASS'Y P/N	CONTACT QTY.	CABLE O.D. RANGE
W16282-2PG-P-311	2	0.09 - 0.14 [2.3 - 3.6]
W16282-2PG-P-315	2	0.15 - 0.17 [3.8 - 4.3]
W16282-2PG-P-318	2	0.18 - 0.20 [4.6 - 5.1]
W16282-3PG-P-311	3	0.09 - 0.14 [2.3 - 3.6]
W16282-3PG-P-315	3	0.15 - 0.17 [3.8 - 4.3]
W16282-3PG-P-318	3	0.18 - 0.20 [4.6 - 5.1]
W16282-XPG-P-3XX		

NOTES:

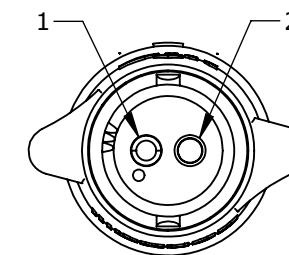
1. ALL PARTS ARE BULK PACKED.
2. REFER TO DRAWING HPMCSTD FOR CONTACT PATTERNS.
3. ALL DIMENSIONS ARE REFERENCE ONLY IN INCHES [mm], WITHIN ±0.015 UNLESS OTHERWISE NOTED.



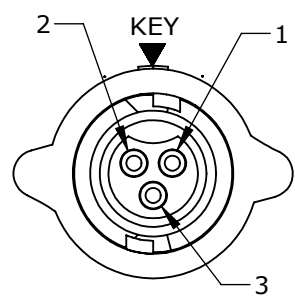
FACE VIEW
W16282-2PG-P-3XX



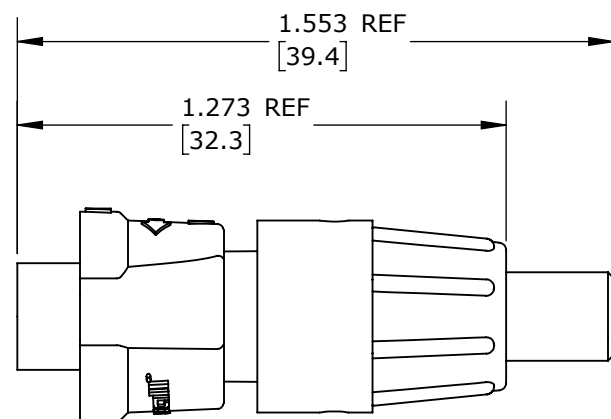
OF CONTACTS — GROMMET SIZE = CABLE O.D. RANGE:
311 = 0.09 - 0.14 [2.3 - 3.6]
315 = 0.15 - 0.17 [3.8 - 4.3]
318 = 0.18 - 0.20 [4.6 - 5.1]



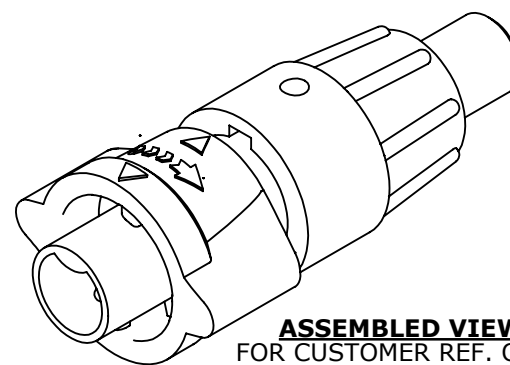
WIRING VIEW
W16282-2PG-P-3XX



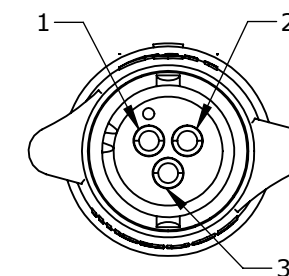
FACE VIEW
W16282-3PG-P-3XX



ASSEMBLED VIEW
FOR CUSTOMER REF. ONLY



ASSEMBLED VIEW
FOR CUSTOMER REF. ONLY
W16282-2PG-P-3XX SHOWN



WIRING VIEW
W16282-3PG-P-3XX

CUSTOMER PRINT

PART NUMBER: W16282-XPG-P-3XX

PRELIMINARY

DIMENSIONS IN BRACKETS [] ARE METRIC

CUSTOMER APPROVAL

THIS DOCUMENT CONTAINS CONFIDENTIAL INFORMATION PROPRIETARY TO CONXALL CORPORATION. ANY REPRODUCTION, DISCLOSURE, OR USE OF THIS DOCUMENT /INFORMATION IS EXPRESSLY PROHIBITED UNLESS AUTHORIZED IN WRITING BY CONXALL CORPORATION.

APPROVED BY: _____
DATE: _____

RoHS COMPLIANT

0A	JGK	9/05/19	DRAWING CREATED FOR PDR #18004.	
REV.	INIT.	DATE	DESCRIPTION	
	JGK	9/05/19	ALL INFORMATION ILLUSTRATED IS THE PROPERTY OF CONXALL CORPORATION. UNAUTHORIZED DUPLICATION OR DISTRIBUTION OF THIS DOCUMENT IS PROHIBITED.	
APPROVED BY:			TITLE:	
SCALE: NTS			CABLE-END ASSEMBLY	
SIZE: B			2-3 #20 PIN CONTACTS, SOLDER	
SHEET: 1 OF 1			INSTA-CLICK, MICRO-CON-X	
FILE: W16282-XPG-P-3XX			STANDARD PRODUCT	
DIRECTORY: SLW			CUSTOMER:	
PART NUMBER: W16282-XPG-P-3XX			REV 0A	



601 E. WILDWOOD VILLA PARK, IL 60181

Mouser Electronics

Authorized Distributor

Click to View Pricing, Inventory, Delivery & Lifecycle Information:

Switchcraft:

[W16282-3PG-P-318](#) [W16282-2PG-P-318](#) [W16282-2PG-P-315](#) [W16282-3PG-P-311](#) [W16282-3PG-P-315](#) [W16282-2PG-P-311](#)