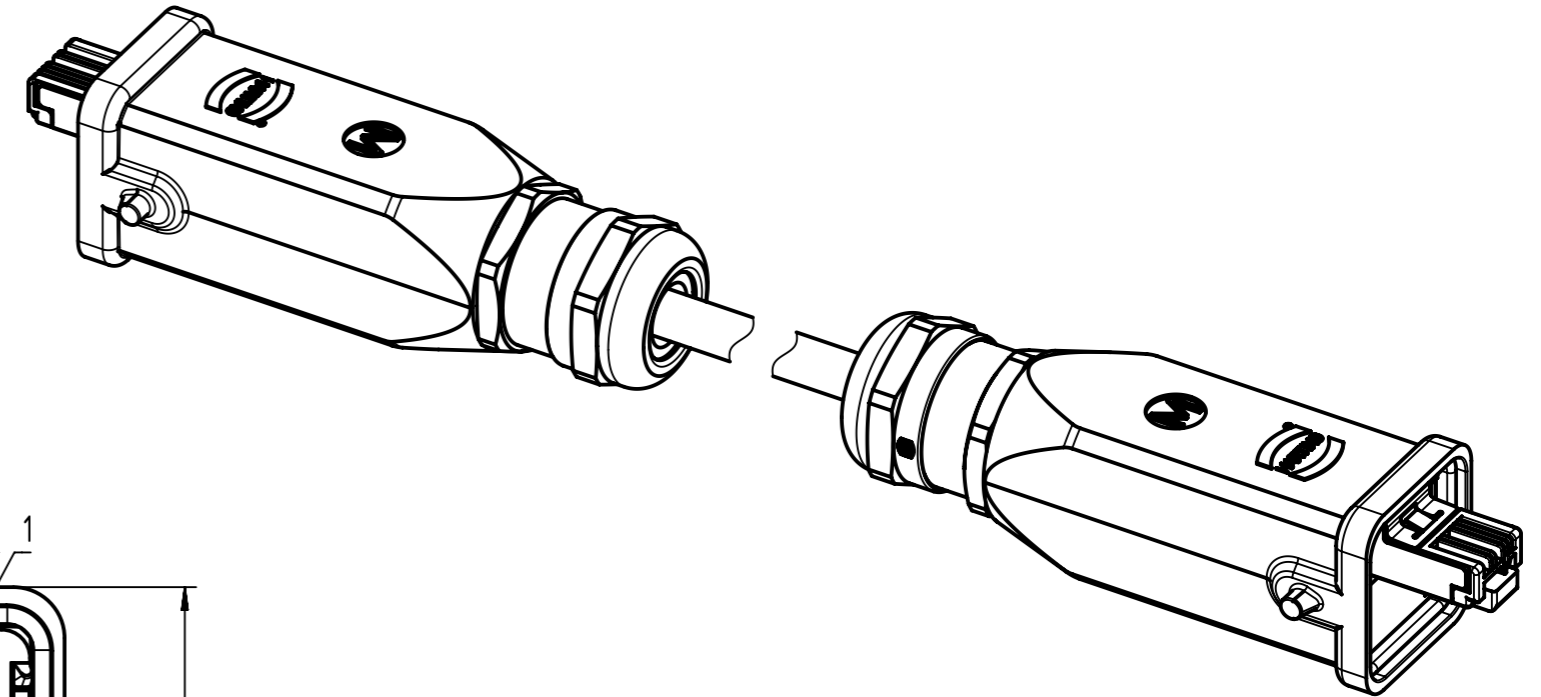
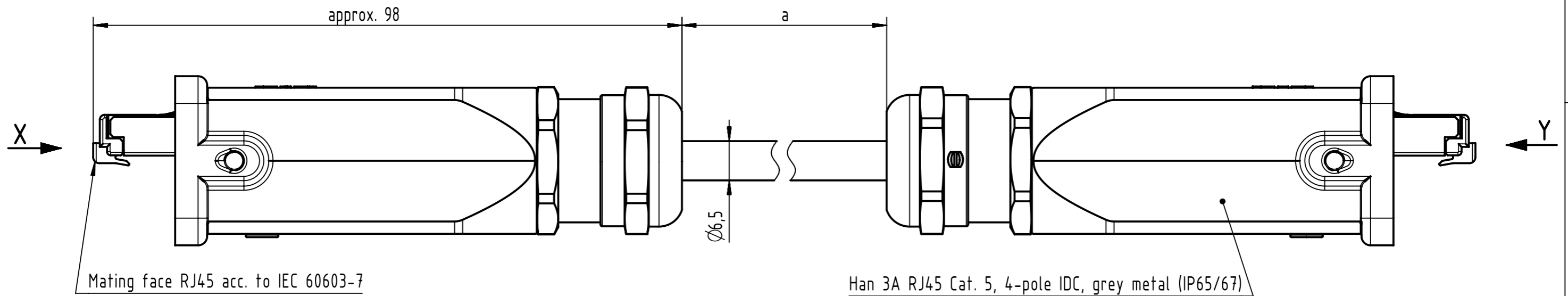


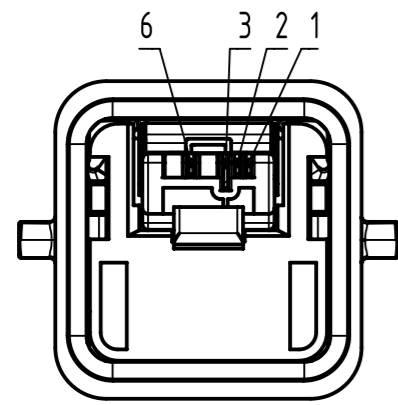
Connector Location A

Connector Location B

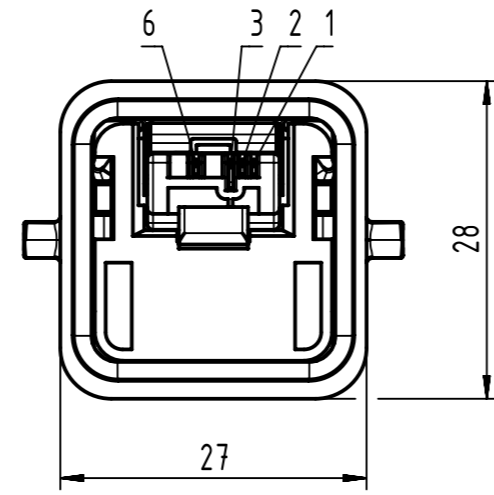
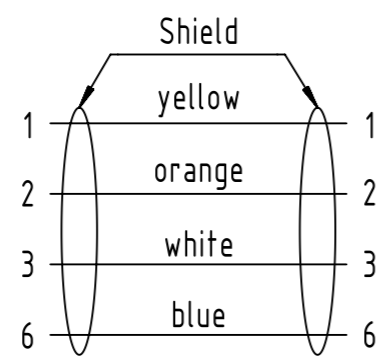


X male

Y male



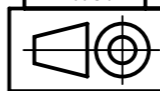
Loading-Plan:



- Temperature range: -40°C ... +70°C

	All rights reserved		Created by STOCHECIC		Inspected by COSTEA		Standardisation MUNTEANV		Date 2018-04-19		State Final Release		
	Department HCS - RO		Title Han 3A RJ45 Cable Assembly		Type TB		Number 0945715XXXX		Doc-Key / ECM-Nr. 100081046/UGD/010/D 500000133904		Rev. D Page 1/2		
All Dimensions in mm		Tech. Character.				Free size tol.				According to production drawing			
HARTING Customised Solutions		D-32339 Espelkamp											

	1	2	3	4	5	6	7	8
A	51	09457151126	RJ45 Ethernet standard cable, AWG22/1, 2x2x0.64, PVC, Cat. 5+, green	4	95	09457151183	RJ45 Ethernet stranded cable, 4xAWG22/7, PVC, Cat. 5+, green	100
	50	09457151125		3	94	09457151182		90
	49	09457151124		2	93	09457151181		80
	48	09457151123		1.5	92	09457151180		70
	47	09457151122		1	91	09457151179		60
	46	09457151121		0.5	90	09457151178		50
B	45	09457150083	RJ45 Ethernet stranded cable, AWG22/7, 2x2x0.75, outdoor, PVC, Cat. 5+, black	100	89	09457151177		40
	44	09457150082		90	88	09457151176		30
	43	09457150081		80	87	09457151175		20
	42	09457150080		70	86	09457151174		15
	41	09457150079		60	85	09457151173	10	
	40	09457150078		50	84	09457151172	9	
	39	09457150077		40	83	09457151171	8	
	38	09457150076		30	82	09457151185	7.5	
	37	09457150075		20	81	09457151170	7	
	36	09457150074		15	80	09457151169	6	
C	35	09457150073	RJ45 Ethernet trailing cable, AWG22/7, 2x2x0.75, PUR, Cat. 5+, green	10	79	09457151168	5	
	34	09457150072		9	78	09457151167	4	
	33	09457150071		8	77	09457151166	3	
	32	09457150070		7	76	09457151165	2	
	31	09457150069		6	75	09457151164	1.5	
	30	09457150068		5	74	09457151163	1	
	29	09457150067		4	73	09457151162	0.5	
	28	09457150066		3	72	09457151161	100	
	27	09457150065		2	71	09457151160	90	
	26	09457150064		1.5	70	09457151144	85	
D	25	09457150063	RJ45 Ethernet standard cable, AWG22/1, 2x2x0.64, PVC, Cat. 5+, green	1	69	09457151159	80	
	24	09457150062		0.5	68	09457151158	70	
	23	09457150061		100	67	09457151143	65	
	22	09457150060		90	66	09457151157	60	
	21	09457150059		80	65	09457151142	55	
	20	09457150058		70	64	09457151156	50	
	19	09457150057		60	63	09457151155	40	
	18	09457150056		50	62	09457151141	35	
	17	09457150055		40	61	09457151154	30	
	16	09457150054		30	60	09457151140	25	
E	15	09457150090	RJ45 Ethernet standard cable, AWG22/1, 2x2x0.64, PVC, Cat. 5+, green	25	59	09457151153	20	
	14	09457150053		20	58	09457151152	15	
	13	09457150052		15	57	09457151151	10	
	12	09457150051		10	56	09457151131	9	
	11	09457150031		9	55	09457151130	8	
	10	09457150030		8	54	09457151129	7	
	9	09457150029		7	53	09457151128	6	
	8	09457150028		6	52	09457151127	5	
	7	09457150027		5				
	6	09457150026		4				
F	5	09457150025	RJ45 Ethernet standard cable, AWG22/1, 2x2x0.64, PVC, Cat. 5+, green	3				
	4	09457150024		2				
	3	09457150023		1.5				
	2	09457150022		1				
	1	09457150021		0.5				
	<b>Cont. no.</b>	<b>Part no.</b>	<b>Type of cable</b>	<b>Dim. a[m]</b>	<b>Cont. no.</b>	<b>Part no.</b>	<b>Type of cable</b>	<b>Dim. a[m]</b>

	All Dimensions in mm	Tech. Character.	Free size tol.	According to production drawing	
All rights reserved	Created by STOCHECIC	Inspected by COSTEA	Standardisation MUNTEANV	Date 2018-04-19	State Final Release
Department HCS - RO	Title Han 3A RJ45 Cable Assembly			Doc-Key / ECM-Nr. 100081046/UGD/010/D 500000133904	
HARTING Customised Solutions	Type TB	Number 0945715XXXX		Rev. D	Page 2/2
D-32339 Espelkamp					

# Mouser Electronics

Authorized Distributor

Click to View Pricing, Inventory, Delivery & Lifecycle Information:

## HARTING:

[09457150023](#) [09457150027](#) [09457150051](#) [09457150053](#) [09457151123](#) [09457151125](#) [09457151151](#)  
[09457151153](#) [09457151156](#) [09457151161](#) [09457151166](#) [09457151173](#) [09457151175](#) [09457151178](#) [09457151127](#)  
[09457151152](#) [09457151154](#) [09457151177](#) [09457151164](#) [09457151168](#) [09457151165](#) [09457150066](#)  
[09457151183](#)