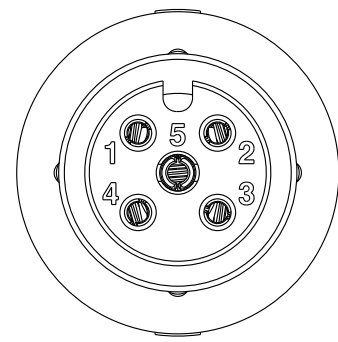
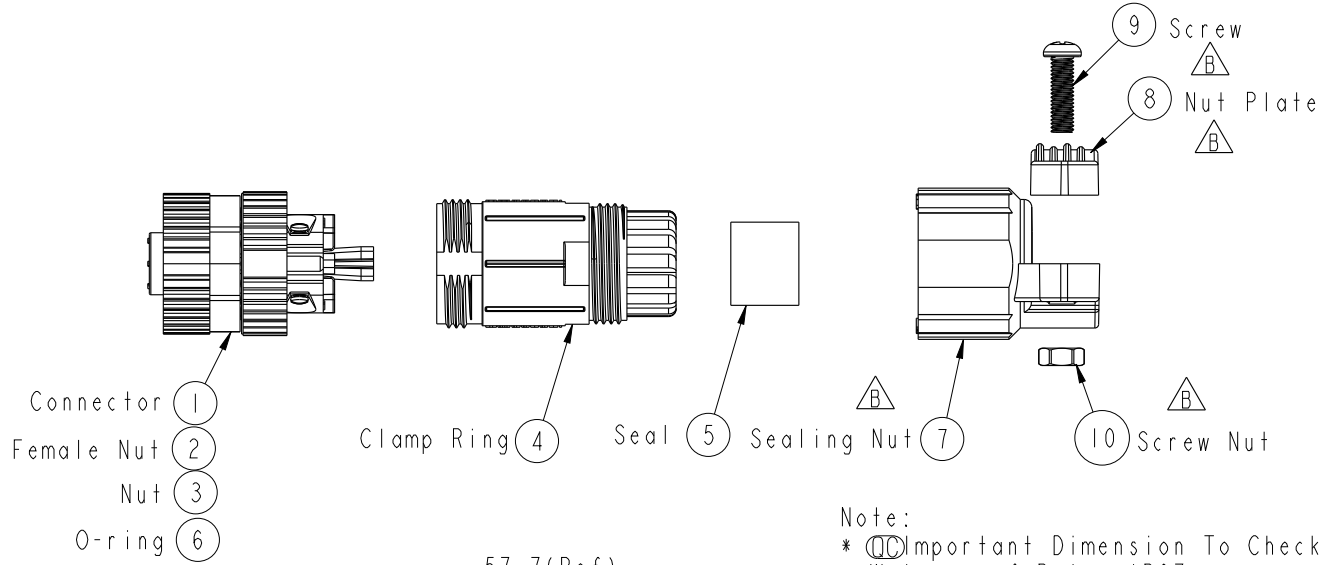


THIS DOCUMENT IS SUBJECT TO CHANGE WITHOUT NOTICE. IT IS CONFIDENTIAL AND A PROPERTY OF AMPHENOL LTW. DISCLOSURE TO THIRD PARTY HAS TO BE AUTHORIZED BY AMPHENOL LTW.

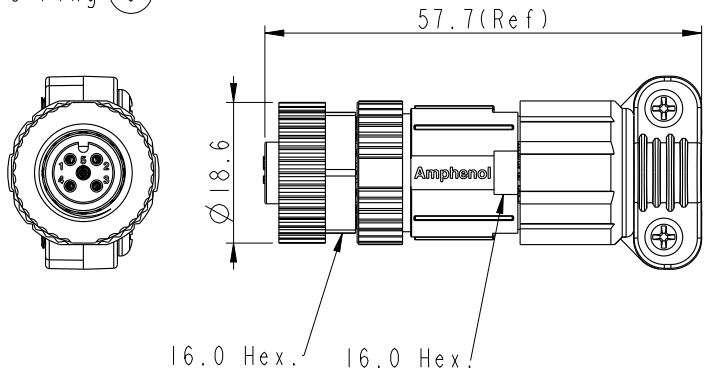
REV.	ECN NO.	DATE	SIGN	DESCRIPTION
A	Initial Release	2016-11-02	Cary Liu	Change Rev.01 To Rev.A
B	LE317B0193	2017-11-18	Frank Deng	Update Drawing

ALTW
CONFIDENTIAL
2017-11-18
R&D DEPT.

ALTW
DCC. DEPT.
CONFIDENTIAL
2017.12.12
ISSUED



Pin Assignments
Front View



- Note:
- * \varnothing Important Dimension To Check.
 - * Waterproof Rate: IP67
 - * Housing: Nylon,Black
 - * Female Pin: Copper Alloy, Gold Plated
 - * Female Nut: Zinc Alloy, Nickel Plated
 - * Nut: PBT+PC,Black
 - * O-Ring: Silicon,Grey
 - * Clamp Ring: Nylon,Black
 - * Seal: Silicon,Grey
 - * Sealing Nut: Nylon+GF,Black
 - * Nut Plate: Nylon+GF,Black
 - * Seal For Cable OD: $\varnothing 4.0\text{mm} \sim \varnothing 8.0\text{mm}$
 - * Screws for Wire connection recommended tightening torque: 0.61~0.84 kgf.cm / 0.059~0.082 N.m
 - * Applicable Wire gauge (Stranded wire cross section) 0.14mm² (26AWG) ~ 0.82mm² (18AWG)
 - * Mating Recommended tightening torque: 4~6 kgf.cm / 0.39~0.59 N.m
 - * Sealing-Nut Recommended tightening torque: 4~6 kgf.cm / 0.39~0.59 N.m
 - * Detailed applicable wire specifications may vary depending on the actual wire construction.

UNIT:mm		TITLE		ITEM NO	DRAWN BY	DATE
		M12 Unshielded Assy 5Pin F Conn. F Pin				
TOLERANCE		SCALE	SIZE	SHEET	OF	DATE
.X ±0.25		1:1	A4	1	1	2017-11-18
.XX ±0.1		REV.	WC-REV.	Inspection item		
.XXX ±0.05		B	A.2			
ANGLES ±1°				CUSTOMER	APPROVED BY	DATE
				ALTW	Kevin Hu	2017-11-18

Amphenol LTW
安費諾亮泰企業股份有限公司

Mouser Electronics

Authorized Distributor

Click to View Pricing, Inventory, Delivery & Lifecycle Information:

[Amphenol:](#)

[HMC-05BFFB-SL7001](#)