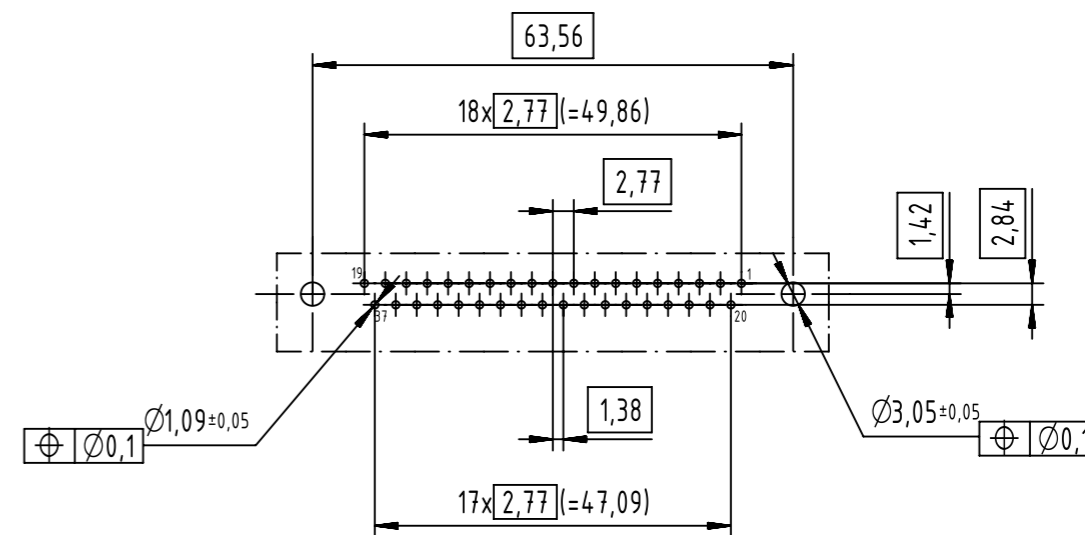


PC-Board layout
view component side
thickness 1,6



Connector insertion force on PCB = max. 80N

09684537611	M3	PL3
09684535611	M3	PLS4
09684537612	4-40 UNC	PL3
09684535612	4-40 UNC	PLS4
Part number	Nut thread	Performance level

	All rights reserved Department EC PD - CN HARTING Electronics GmbH D-32339 Espelkamp	All Dimensions in mm Original Size DIN A3	Scale 1:1	Free size tol.	Ref. Sub.
		Created by ZENG D	Inspected by LUOK	Standardisation HOFFMANN	Date 2017-11-10
Title D-Sub STD 37-pole female angled board locks					Doc-Key / ECM-Nr. 100539908/UGD/001/C 500000126855
Type TB		Number 0968453X61X			Rev. C
					Page 1/1

Mouser Electronics

Authorized Distributor

Click to View Pricing, Inventory, Delivery & Lifecycle Information:

HARTING:

[09684535612](#) [09684537612](#) [09684537611](#) [09684535611](#)