

THE INFORMATION CONTAINED HEREIN IS CONSIDERED "PROPRIETARY" TO BEL FUSE INC. AND SHALL NOT BE COPIED, REPRODUCED OR DISCLOSED WITHOUT THE WRITTEN APPROVAL OF BEL FUSE INC.

RoHS
2002/95/EC



ELECTRICAL CHARACTERISTICS @ 25°C

URNS RATIO

TX 1CT : 1
RX 1CT : 1

□CL @ 100kHz/100mVRMS

8mA DC BIAS 350μH MIN.

INS. LOSS

1MHz TO 100MHz -1.0 dB MAX

RET. LOSS (MIN)

1MHz-30MHz -18 dB
30MHz-60MHz -18+20LOG(F/30MHz) dB
60MHz-80MHz -12 dB

CROSS TALK (TX - RX)

100kHz-100MHz -35 dB MIN

CM TO CM REJ

100kHz-100MHz -30 dB MIN

CM TO DM REJ

100kHz-100MHz -35 dB MIN

HIPOT (Isolation Voltage): 1500 Vrms

100% OF PRODUCTION TESTED TO COMPLY WITH IEEE 802.3 ISOLATION REQUIREMENTS.

LED 1

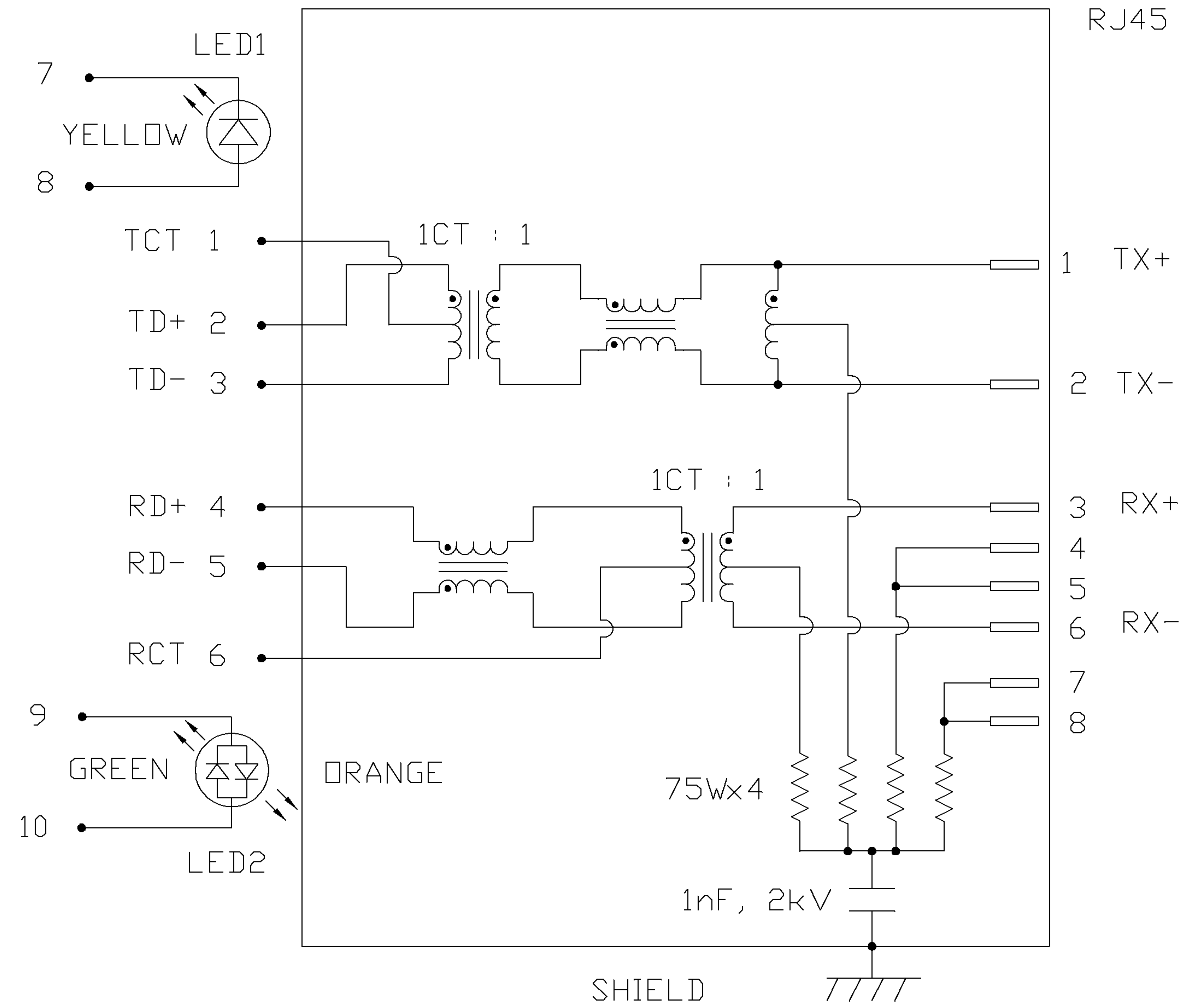
VF (FORWARD VOLTAGE) IF=20mA YELLOW 2.1V TYP.
λ D (DOMINANT WAVELENGTH) IF=20mA YELLOW 590nm TYP.

LED 2

VF (FORWARD VOLTAGE) IF=20mA GREEN 2.2V TYP.
ORANGE 2.0V TYP.
λ D (DOMINANT WAVELENGTH) IF=20mA GREEN 565nm TYP.
ORANGE 610nm TYP.

LED1 POLARITY			LED2 POLARITY		
PIN 7	PIN 8	COLOR	PIN 9	PIN 10	COLOR
-	+	YELLOW	+	-	ORANGE
/	/	/	-	+	GREEN

SCHEMATIC



USB ELECTRICAL:

INSULATION RESISTANCE: 1000 MEGA W (MIN)
CONTACT RESISTANCE: 25 MILLI W (MAX)
DIELECTRIC WITHSTANDING: 750 VAC

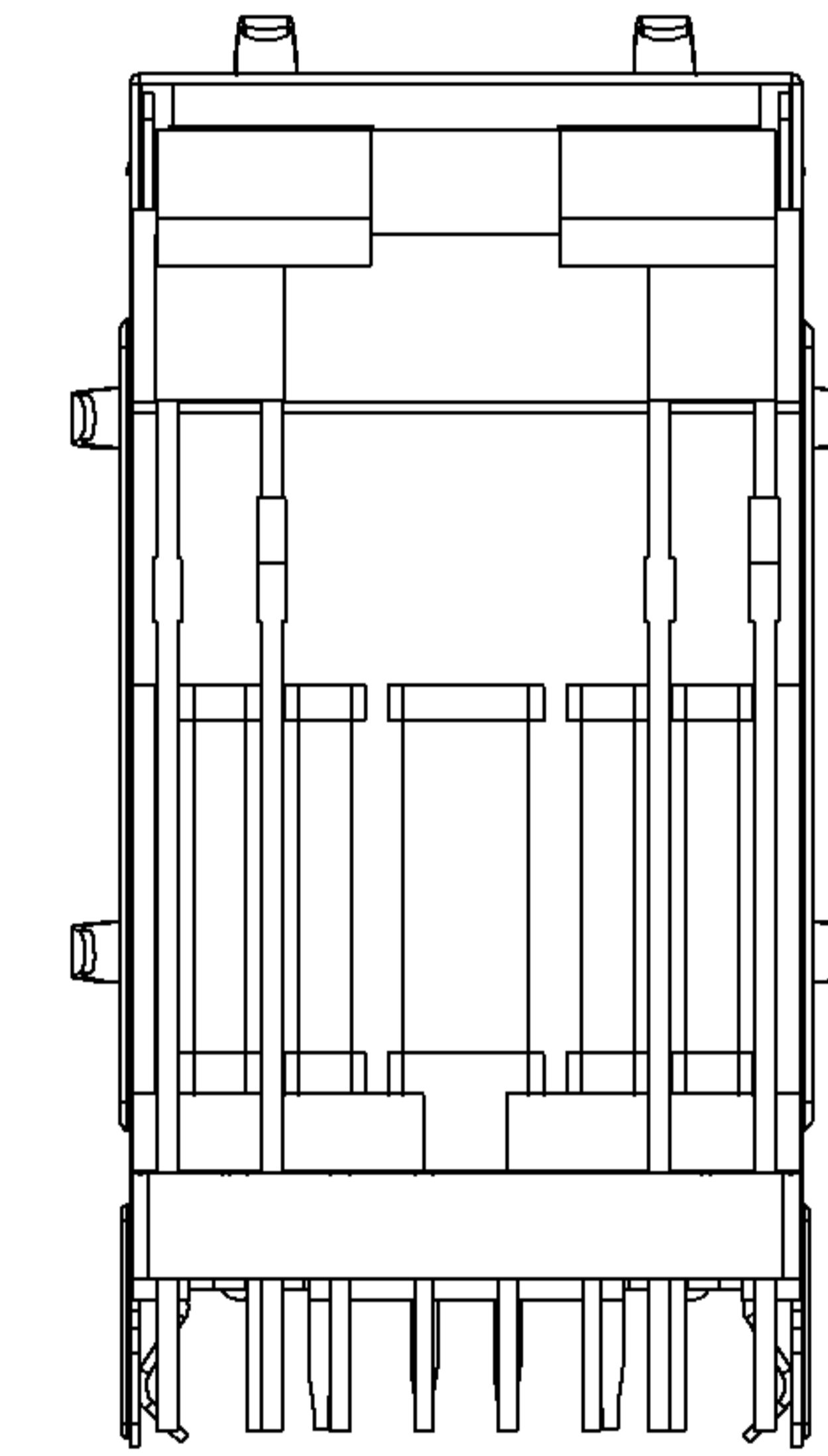
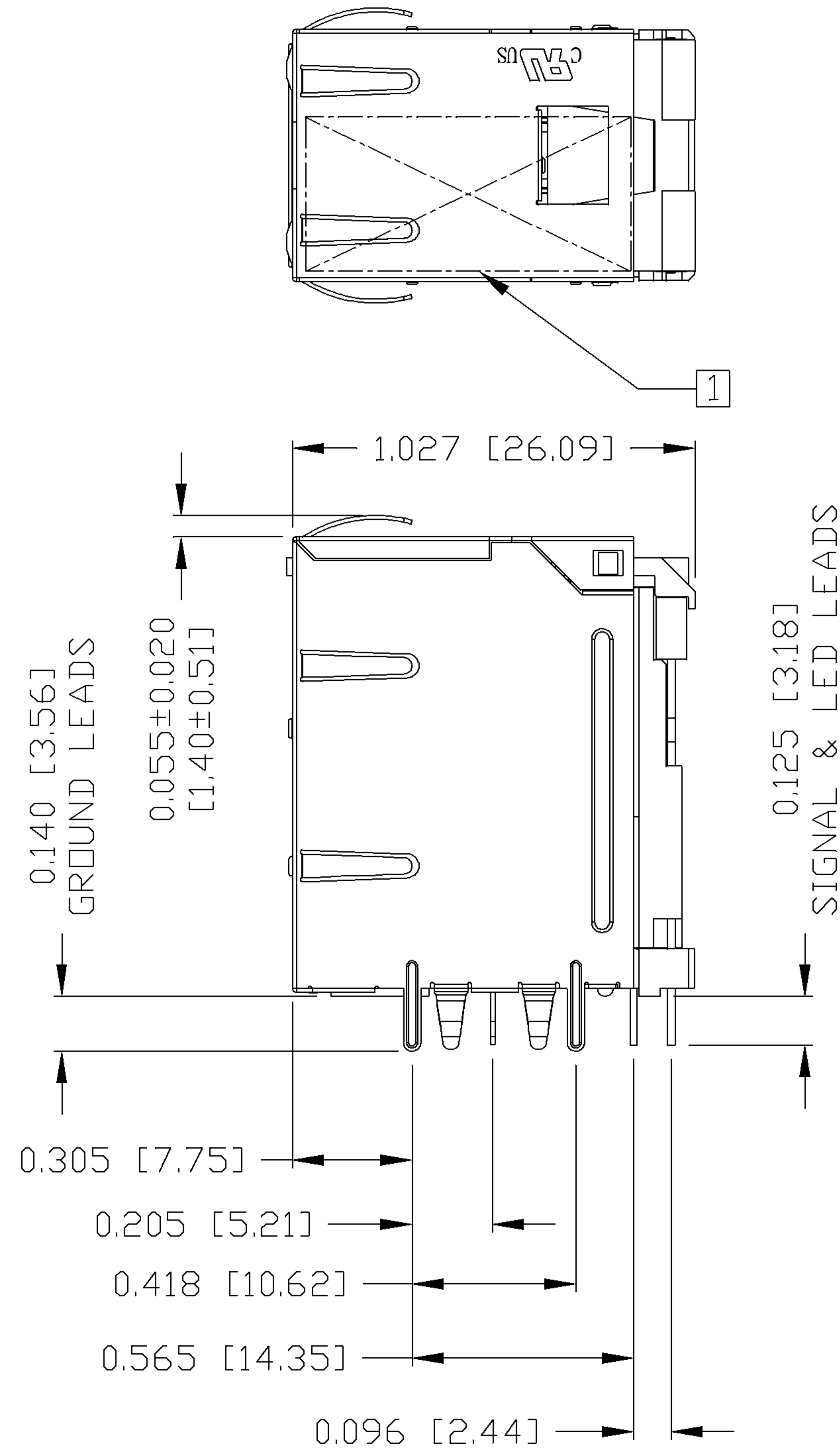
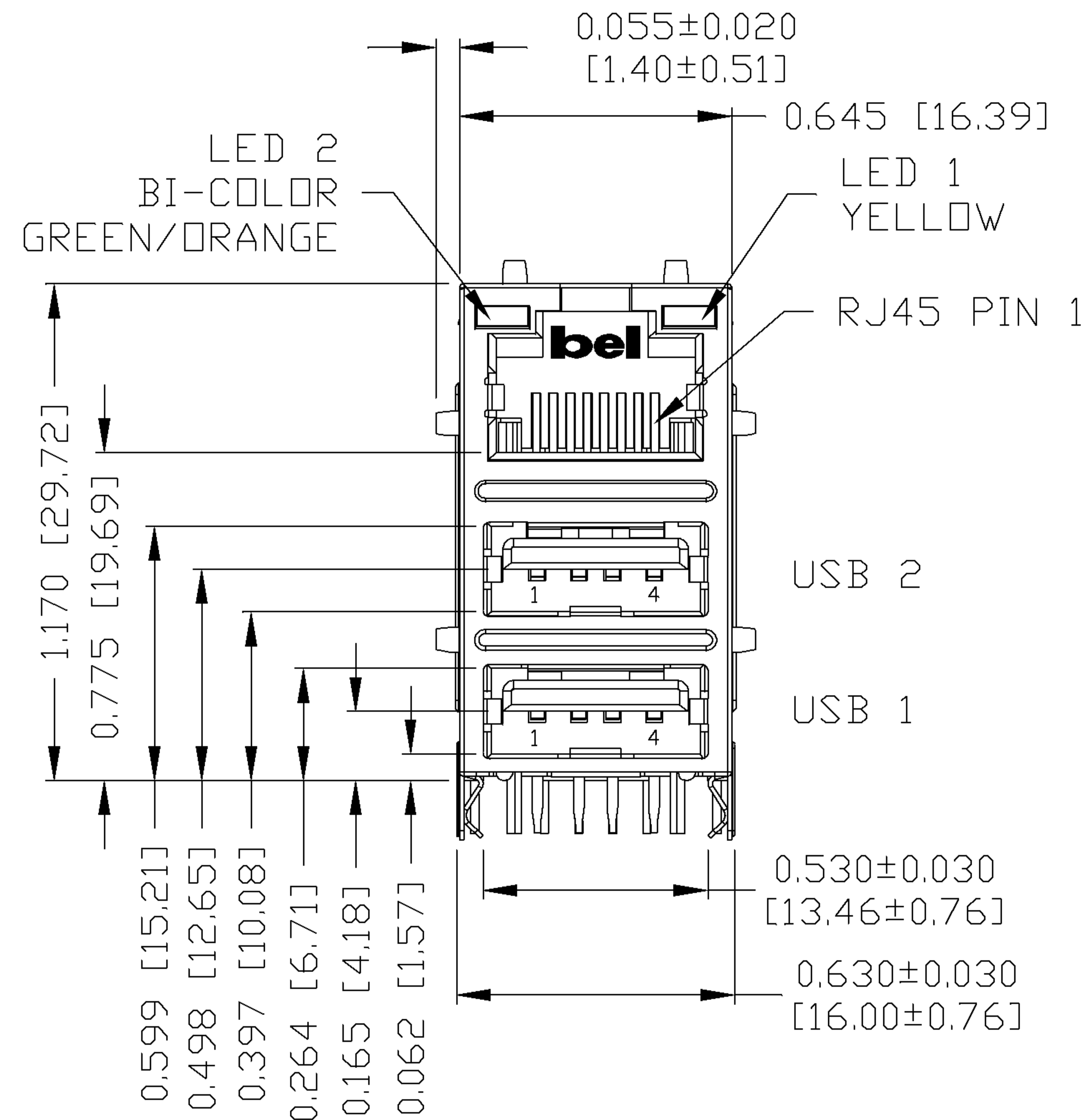
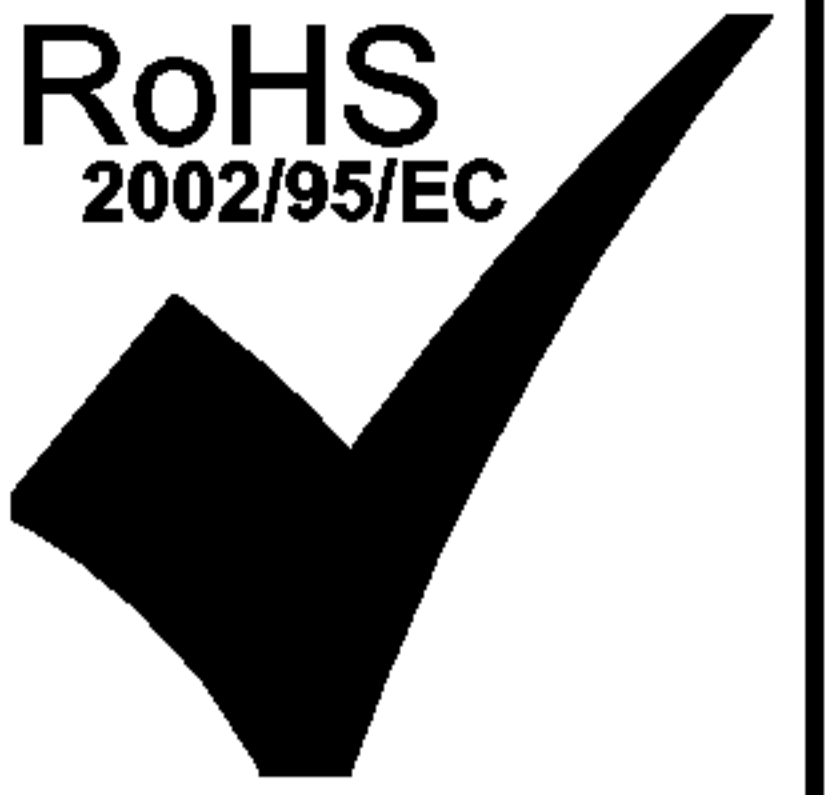
ORIGINATED BY	DATE	TITLE	PART NO. / DRAWING NO.	STANDARD DIM. TOL. IN INCH	[] METRIC DIM. AS REFERENCE
CHOW WANCHUNG	12-26-07	MagJack® Combo (CM Termination)	08C2-1X1T-03	.X	UNIT : INCH [mm] REV. : B
DRAWN BY	DATE		FILE NAME	.XX	SCALE : N/A SIZE : A4
DENG PING	12-26-07		08C2-1X1T-03_B.DWG	.XXX	PAGE : 2



THE INFORMATION CONTAINED HEREIN IS CONSIDERED "PROPRIETARY" TO BEL FUSE INC. AND SHALL NOT BE COPIED, REPRODUCED OR DISCLOSED WITHOUT THE WRITTEN APPROVAL OF BEL FUSE INC.

MECHANICAL SPECIFICATION

RoHS
2002/95/EC



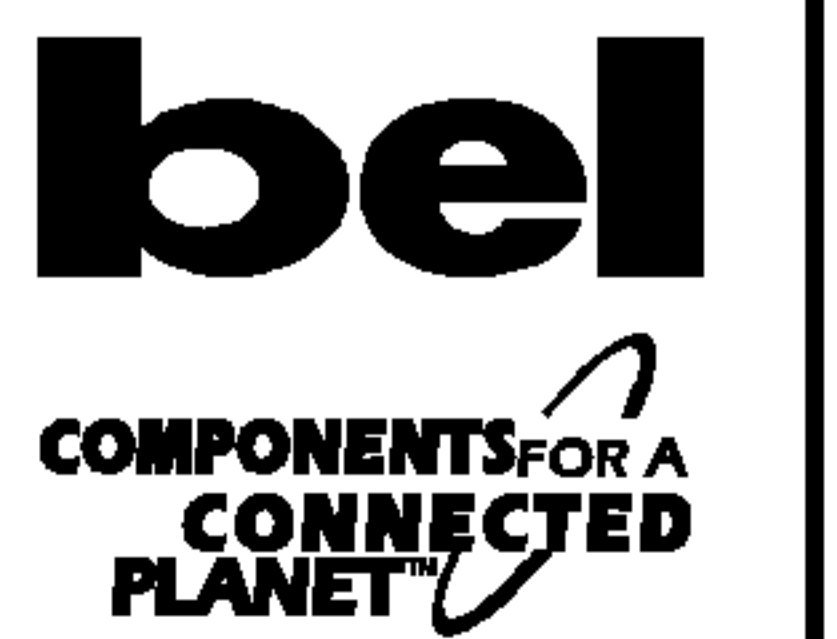
ORIGINATED BY	DATE	TITLE
LIU QIN	12-26-07	MagJack® Combo (CM Termination)
DRAWN BY	DATE	
CHEN TING	12-26-07	

PART NO. / DRAWING NO.	STANDARD DIM. TOL. IN INCH
08C2-1X1T-03	.X
FILE NAME	.XX
08C2-1X1T-03_B.DWG	.XXX ±0.010

[] METRIC DIM. AS REFERENCE	UNIT : INCH [mm]	REV. : B
	SCALE : N/A	SIZE : A4
		PAGE : 3

[] METRIC DIM. AS REFERENCE	
UNIT : INCH [mm]	REV. : B
SCALE : N/A	SIZE : A4
	PAGE : 3

[] METRIC DIM. AS REFERENCE	
UNIT : INCH [mm]	REV. : B
SCALE : N/A	SIZE : A4
	PAGE : 3

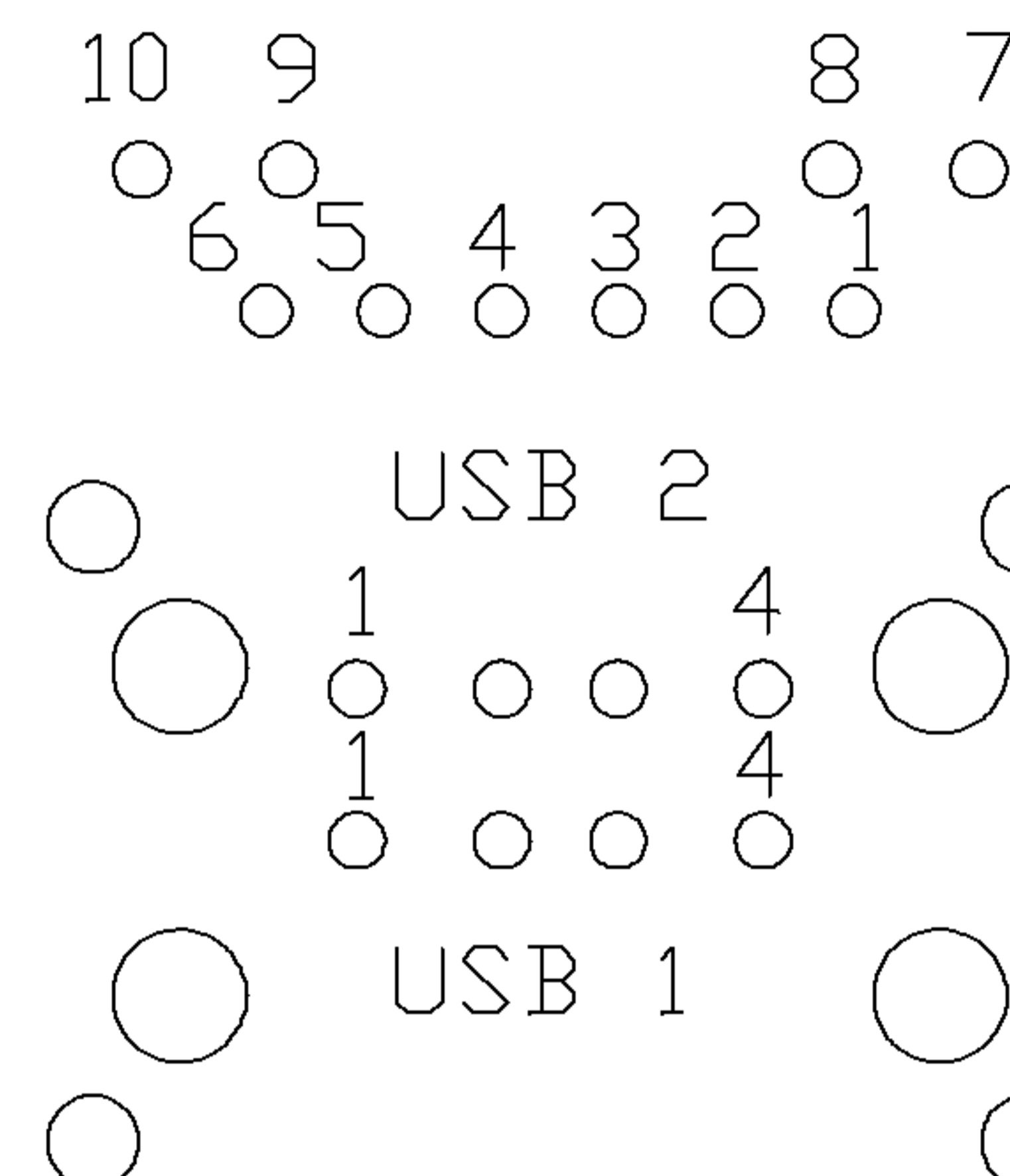
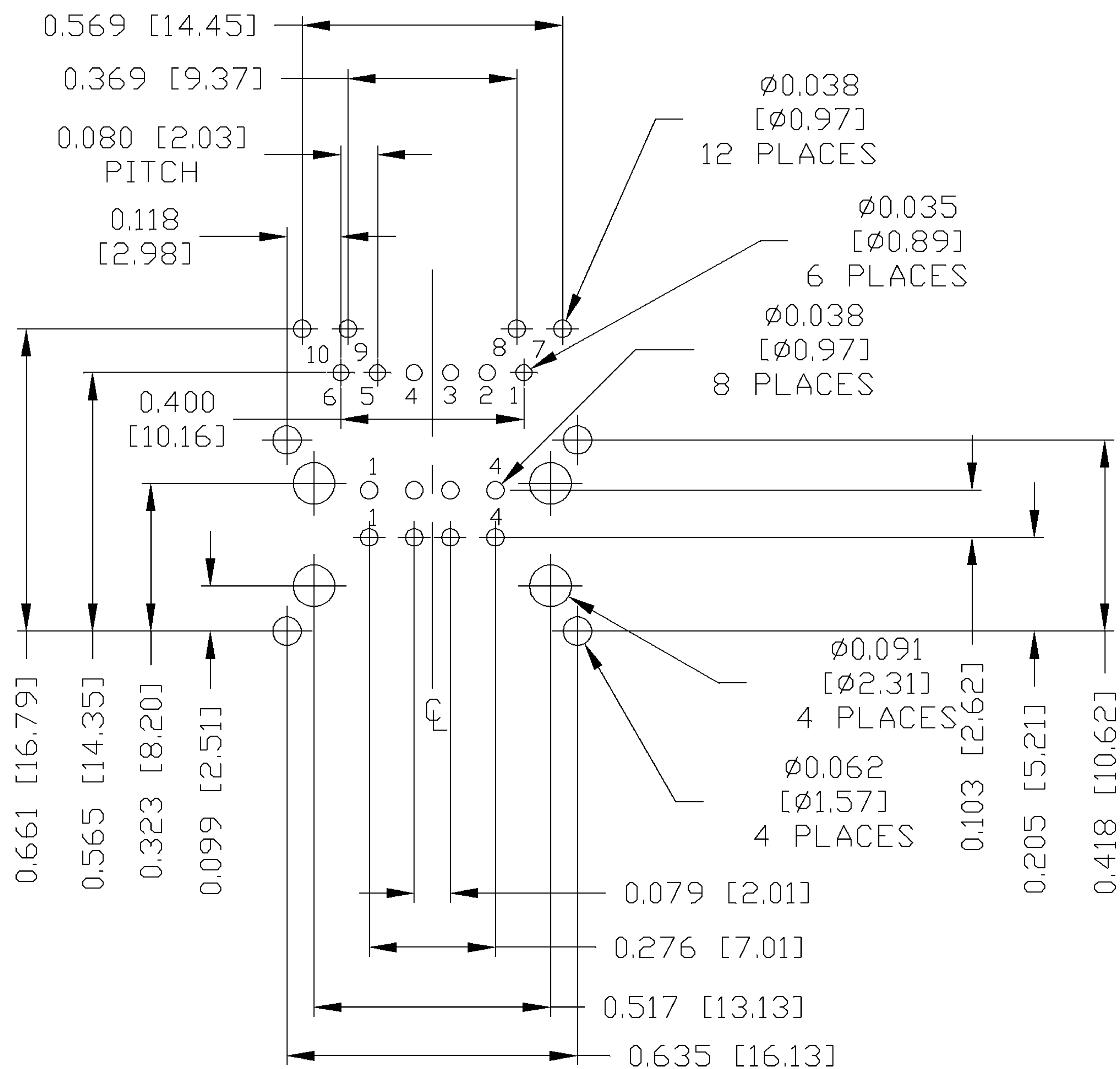


THE INFORMATION CONTAINED HEREIN IS CONSIDERED "PROPRIETARY" TO BEL FUSE INC. AND SHALL NOT BE COPIED, REPRODUCED OR DISCLOSED WITHOUT THE WRITTEN APPROVAL OF BEL FUSE INC.

RoHS
2002/95/EC



Recommended PCB footprint
Component Side



RJ45 MECHANICAL:
PLASTIC HOUSING: THERMOPLASTIC PBT OR EQUIVALENT, FLAMMABILITY RATING UL 94V-0
CONTACT PLATING: 30 MICRO-INCH HARD GOLD PLATING
PINS: TIN-COATED COPPER WIRE, DIA 0.018 INCH.
METAL SHIELD: NICKEL PLATED ON COPPER ALLOY. (ALL GROUND LEADS ARE SOLDER DIPPED)

USB MECHANICAL:
MATING FORCE: 35 NEWTONS MAXIMUM
UNMATING FORCE: 10 NEWTONS MINIMUM
CONTACT: PHOSPHOR BRONZE 30 MICRO-INCH GOLD PLATING ON CONTACT AREA AND TIN ON SOLDER TAIL.

UL US UL RECOGNIZED - FILE #E196366 AND E169987.

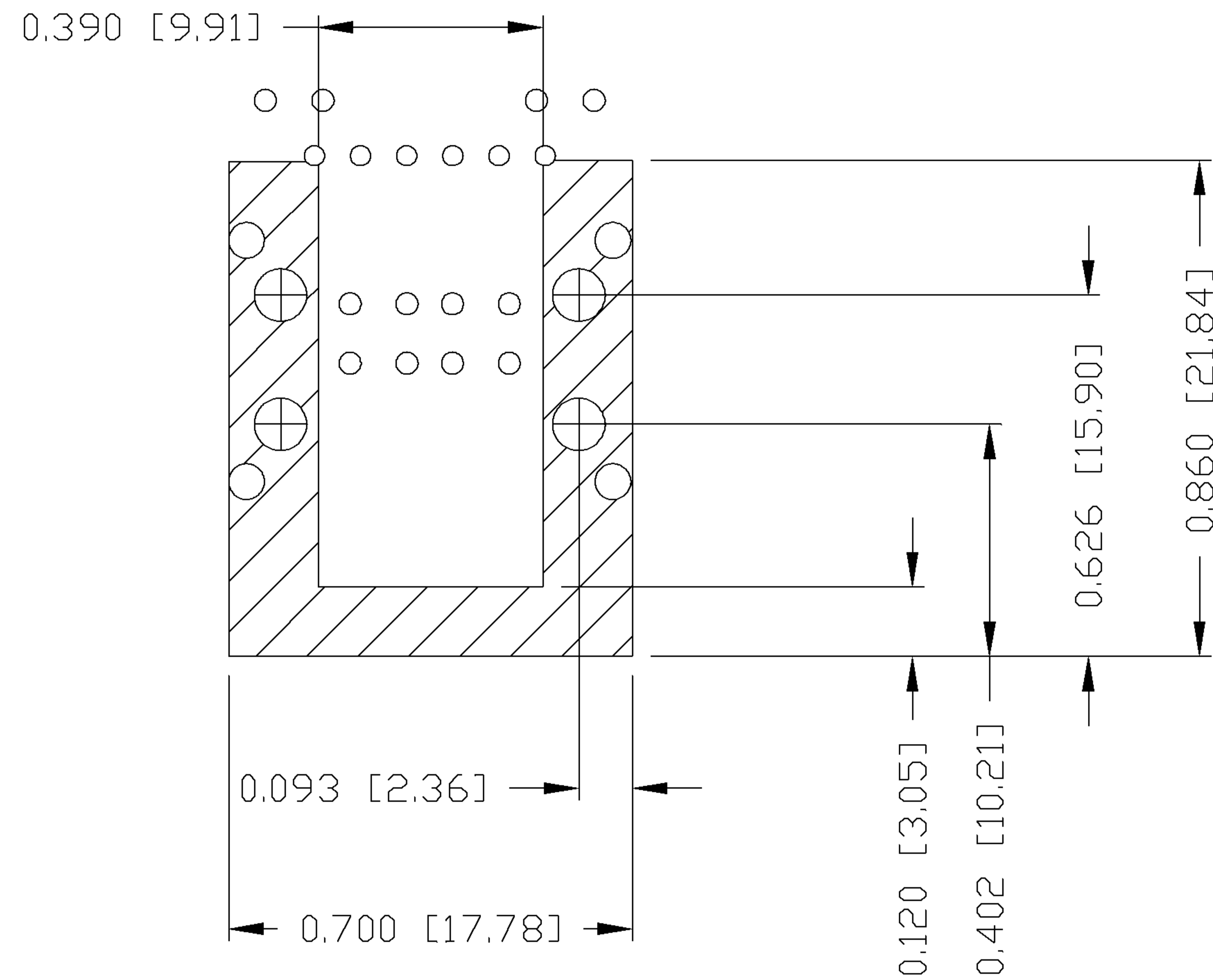
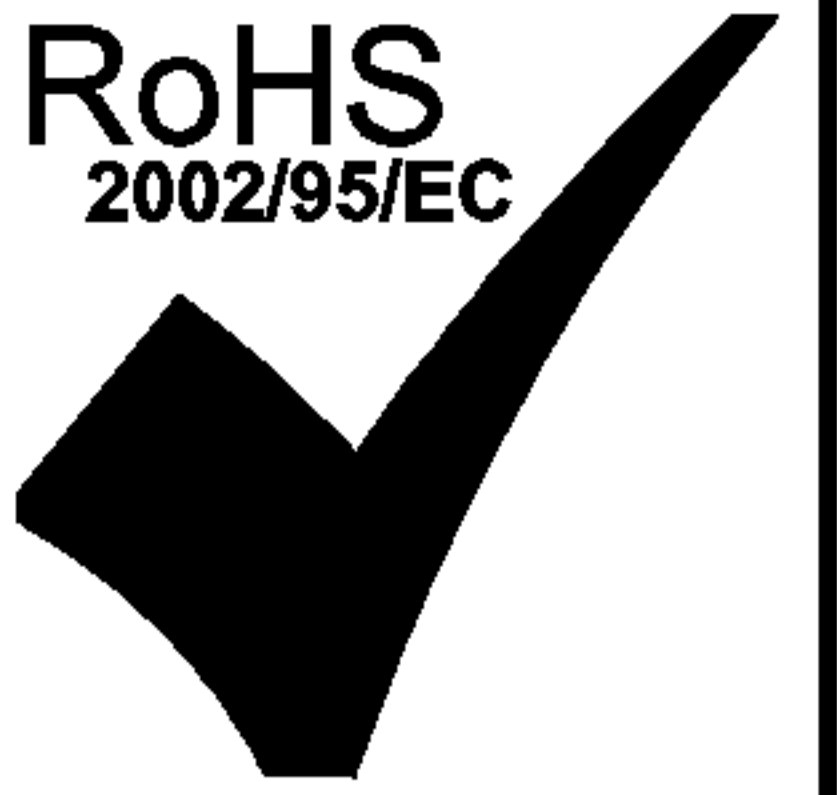
1. MARK PART WITH MFG LOGO, MFG NAME, PART NUMBER, AND DATE CODE.
2. RoHS COMPLIANCE, PER EU DIRECTIVE 2002/95/EC.
3. JACK CAVITY CONFORMS TO FCC RULES AND REGULATIONS.

ORIGINATED BY	DATE	TITLE	PART NO. / DRAWING NO.	STANDARD DIM. TOL. IN INCH	[] METRIC DIM. AS REFERENCE
LIU QIN	12-26-07	MagJack® Combo (CM Termination)	08C2-1X1T-03	.X	UNIT : INCH [mm] REV. : B
DRAWN BY	DATE		FILE NAME	.XX	SCALE : N/A SIZE : A4
CHEN TING	12-26-07		08C2-1X1T-03_B.DWG	.XXX ±0.004	PAGE : 4



THE INFORMATION CONTAINED HEREIN IS CONSIDERED "PROPRIETARY" TO BEL FUSE INC. AND SHALL NOT BE COPIED, REPRODUCED OR DISCLOSED WITHOUT THE WRITTEN APPROVAL OF BEL FUSE INC.

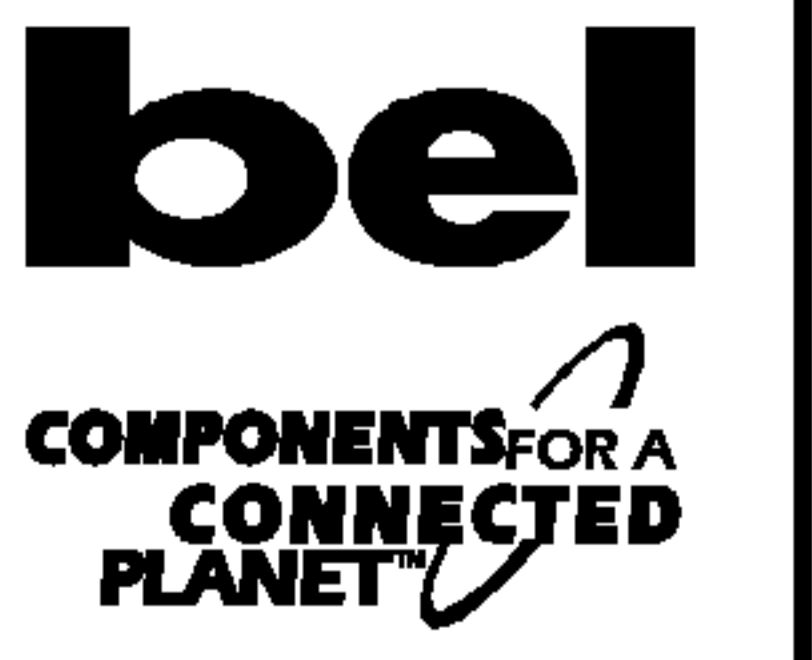
RoHS
2002/95/EC



NOTES

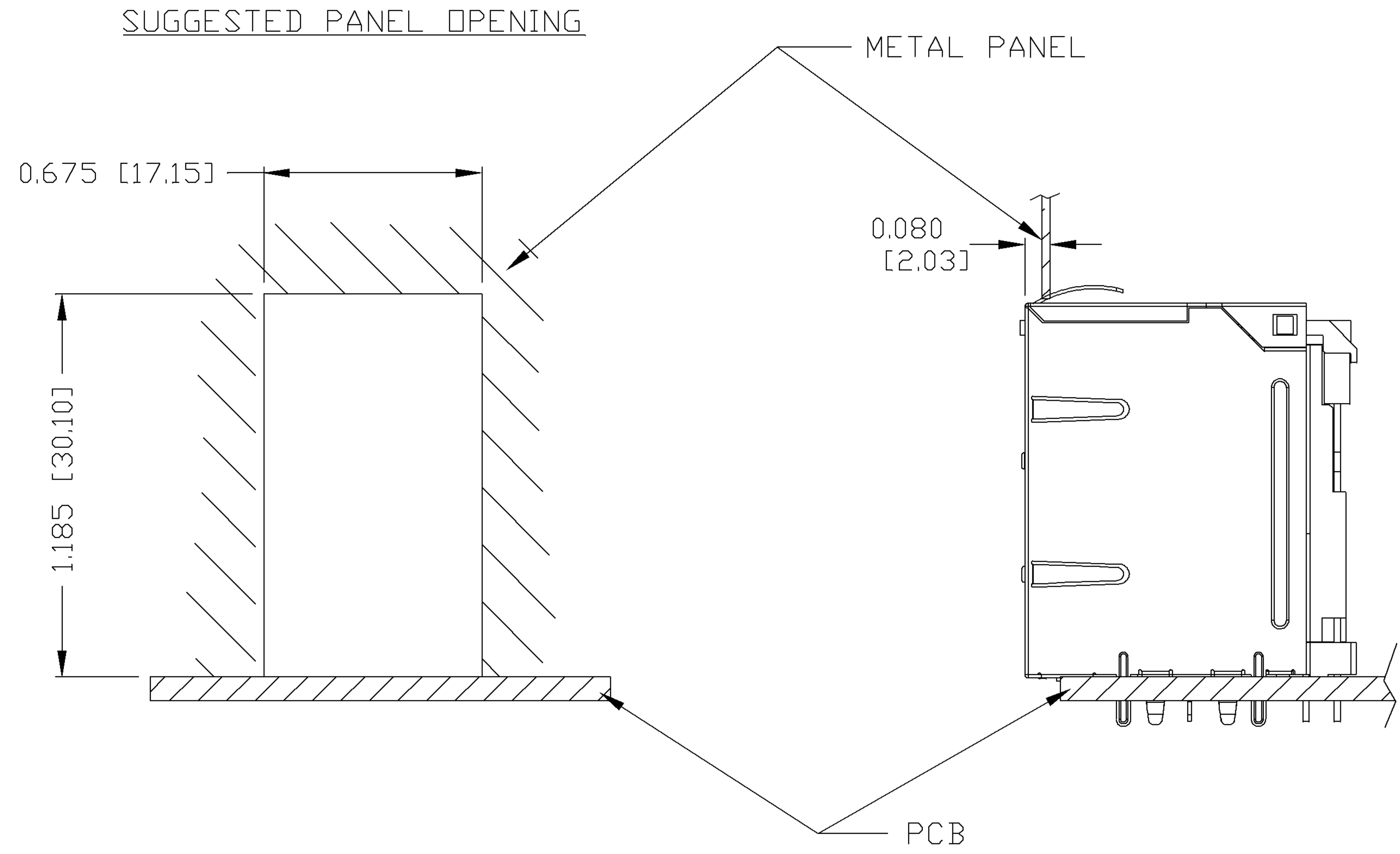
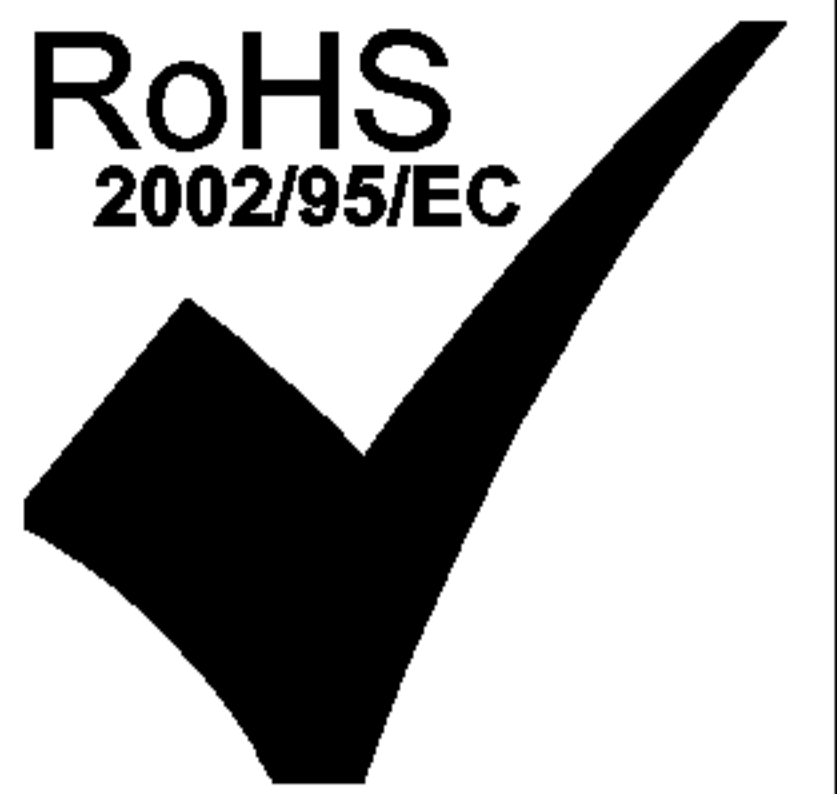
THE SHADED AREA ON THE CUSTOMER BOARD ARE RECOMMENDED TO BE CLEAR OFF ANY VIA HOLE OR COMPONENT PAD.

ORIGINATED BY LIU QIN	DATE 12-26-07	TITLE MagJack® Combo (CM Termination)	PART NO. / DRAWING NO. 08C2-1X1T-03	STANDARD DIM. TOL. IN INCH	[] METRIC DIM. AS REFERENCE
DRAWN BY CHEN TING	DATE 12-26-07		FILE NAME 08C2-1X1T-03_B.DWG	.X .XX .XXX	UNIT : INCH [mm] SCALE : N/A ±0.004



THE INFORMATION CONTAINED HEREIN IS CONSIDERED "PROPRIETARY" TO BEL FUSE INC. AND SHALL NOT BE COPIED, REPRODUCED OR DISCLOSED WITHOUT THE WRITTEN APPROVAL OF BEL FUSE INC.

RoHS
2002/95/EC



NOTE:

THE DISTANCE OF PANEL INSIDE SURFACE RELATIVE TO FRONT SURFACE OF PART IS ONLY A SUGGESTION. IN CASE THIS DISTANCE IS DIFFERENT, THE REQUIRED PANEL OPENING DIMENSIONS CHANGE ACCORDINGLY.

PACKING INFORMATION

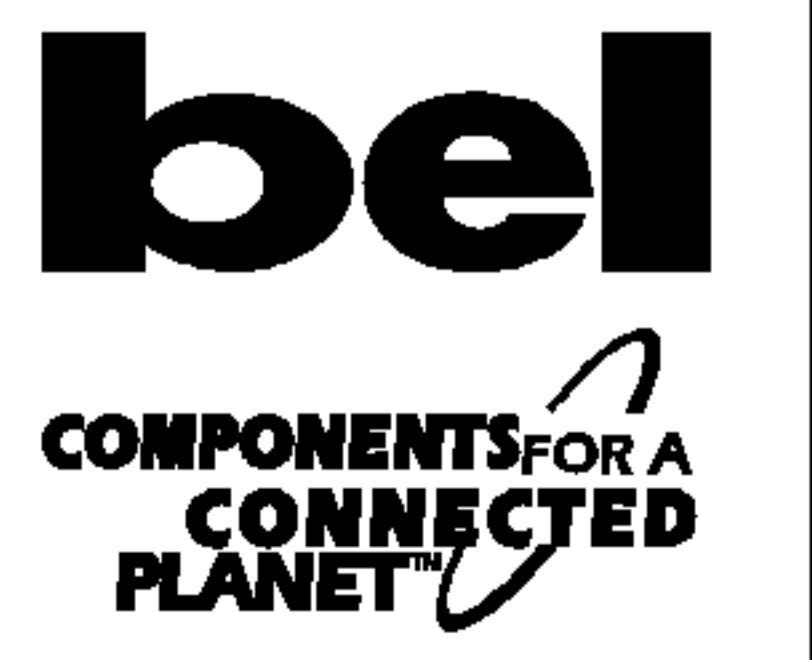
PACKING TRAY : 0200-9999-A3

PACKING QUANTITY : 42 PCS FINISHED GOODS PER TRAY

10 TRAYS (420 PCS FINISHED GOODS) PER CARTON BOX

NOTE : CARDBOARDS ARE PLACED BETWEEN LAYERS OF PACKING TRAY INSIDE CARTON BOX (INCLUDE THE UPPERMOST AND LOWERMOST TRAY)

ORIGINATED BY	DATE	TITLE	PART NO. / DRAWING NO.	STANDARD DIM. TOL. IN INCH	[] METRIC DIM. AS REFERENCE	
LIU QIN	12-26-07	MagJack® Combo (CM Termination)	08C2-1X1T-03	.X	UNIT : INCH [mm]	REV. : B
DRAWN BY	DATE		FILE NAME	.XX	SCALE : N/A	SIZE : A4
CHEN TING	12-26-07		08C2-1X1T-03_B.DWG	.XXX	±0.004	PAGE : 6



Mouser Electronics

Authorized Distributor

Click to View Pricing, Inventory, Delivery & Lifecycle Information:

Bel:

[08C2-1X1T-03](#)