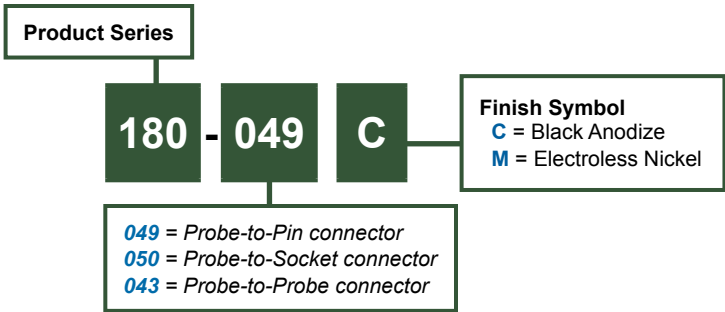


180-049 • 180-050 • 180-043
 Replacement Calibration Adapters
 for M29504/04 or /05 Termini

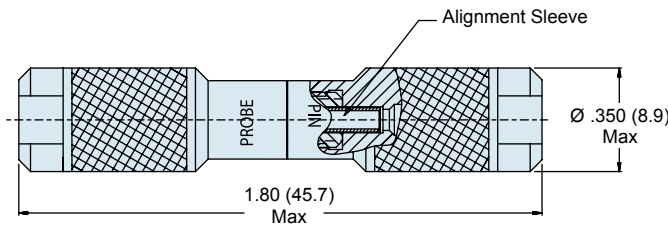


Feedthrough probe connectors for MIL-DTL-38999 (MIL-PRF-29504/4 and /5 termini) fiber optic connection system

U.S. PATENT 5,960,137

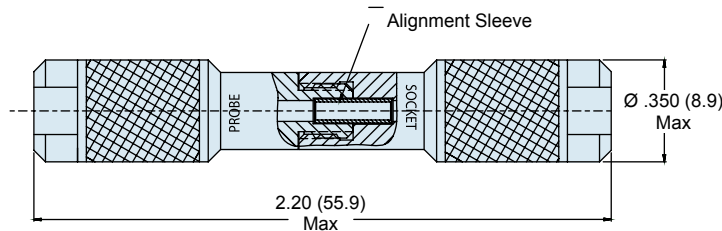


-049 Probe-to-Pin Connector



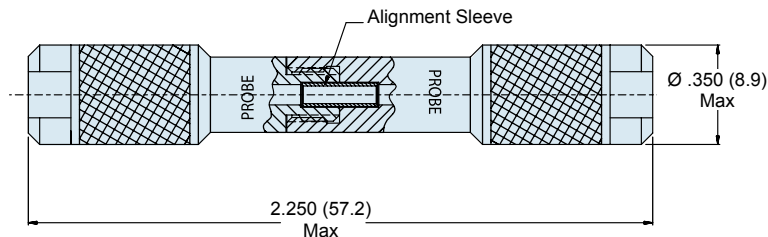
Pin Side Accepts
181-002 and M29504/04
Termini

-050 Probe-to-Socket Connector



Socket Side Accepts
181-001 and M29504/05
Termini

-043 Probe-to-Probe Connector



Material and Finish

Housing: Aluminum Alloy/see Part Number Development
 Alignment Sleeve: Zirconia Ceramic
 Retaining Clips: Copper Alloy

Mouser Electronics

Authorized Distributor

Click to View Pricing, Inventory, Delivery & Lifecycle Information:

[Glenair:](#)

[180-043C](#) [180-043M](#) [180-049C](#) [180-050C](#)