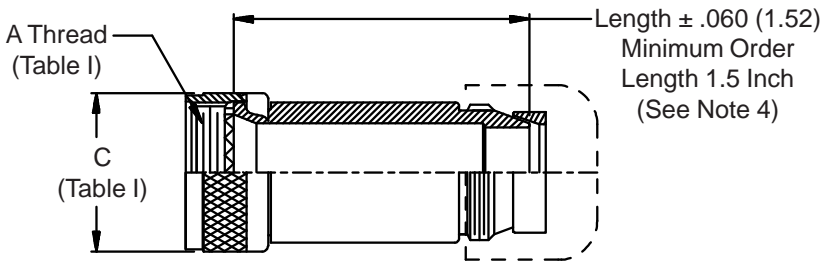
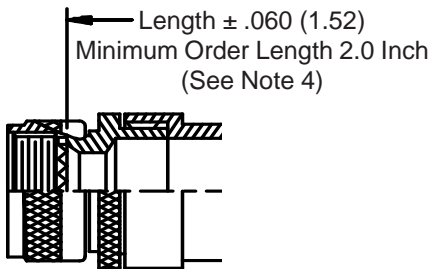
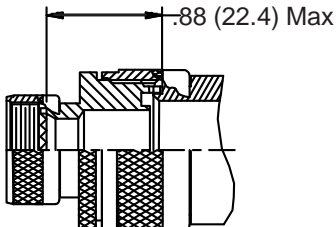


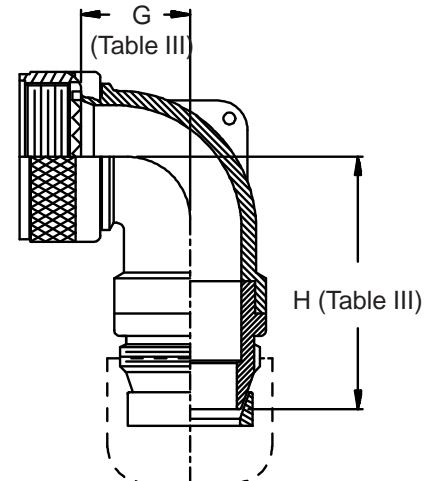
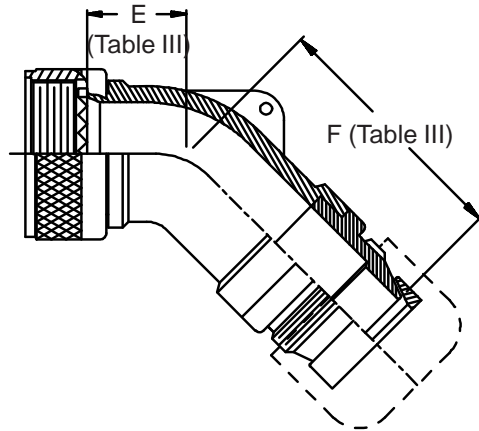
**CONNECTOR
 DESIGNATORS**
A-F-H-L-S
**ROTATABLE
 COUPLING**
**TYPE C OVERALL
 SHIELD TERMINATION**



**STYLE 2
 (STRAIGHT
 See Note 1)**



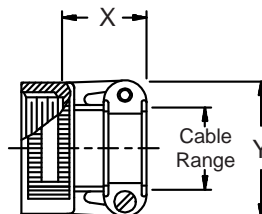
**STYLE 2
 (45° & 90°
 See Note 1)**



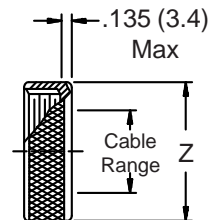
**STYLE M
 Medium Duty - Dash No. 01-04
 (Table X)**



**STYLE M
 Medium Duty - Dash No. 10-28
 (Table X)**



**STYLE D
 Medium Duty
 (Table X)**



380-005
EMI/RFI Non-Environmental Backshell
Heavy-Duty with Strain Relief
Type C - Rotatable Coupling - Low Profile



See inside back cover fold-out or pages 13 and 14 for Unabridged Tables I and II.

| TABLE III: ELBOW DIMENSIONS | | | | | | | | | |
|-----------------------------|----------------|-------|--------|-------|--------|-------|--------|-------|--------|
| Shell Size | | E | | F | | G | | H | |
| A-F-L-S | Conn. Desig. H | Max | (mm) | Max | (mm) | Max | (mm) | Max | (mm) |
| 08 | 09 | .457 | (11.6) | 1.848 | (46.9) | .500 | (12.7) | 1.858 | (47.2) |
| 10 | 11 | .520 | (13.2) | 1.908 | (48.5) | .595 | (15.1) | 1.978 | (50.2) |
| 12 | 13 | .582 | (14.8) | 1.968 | (50.0) | .610 | (15.5) | 1.998 | (50.7) |
| 14 | 15 | .645 | (16.4) | 2.347 | (59.6) | .700 | (17.8) | 2.357 | (59.9) |
| 16 | 17 | .738 | (18.7) | 2.457 | (62.4) | .885 | (22.5) | 2.447 | (62.2) |
| 18 | 19 | .926 | (23.5) | 2.647 | (67.2) | .975 | (24.8) | 2.617 | (66.5) |
| 20 | 21 | .926 | (23.5) | 2.647 | (67.2) | .975 | (24.8) | 2.617 | (66.5) |
| 22 | 23 | 1.020 | (25.9) | 2.922 | (74.2) | 1.125 | (28.6) | 2.852 | (72.4) |
| 24 | 25 | 1.020 | (25.9) | 2.922 | (74.2) | 1.125 | (28.6) | 2.852 | (72.4) |
| 28 | | 1.145 | (29.1) | 2.972 | (75.5) | 1.225 | (31.1) | 3.022 | (76.8) |
| 32 | | 1.207 | (30.7) | 3.072 | (78.0) | 1.575 | (40.0) | 3.272 | (83.1) |
| 36 | | 1.238 | (31.4) | 3.162 | (80.3) | 1.775 | (45.1) | 3.272 | (83.1) |

| TABLE X: CABLE ENTRY | | | | | | |
|----------------------|--------------|--------------|--------------|--------------|--------------|--|
| Dash No. | X Max | Y Max | Z Max | Cable Range | | |
| | | | | Min | Max | |
| 01 | .850 (21.6) | .781 (19.8) | .593 (15.1) | .062 (1.6) | .125 (3.2) | |
| 02 | .850 (21.6) | .968 (24.6) | .718 (18.2) | .125 (3.2) | .250 (6.4) | |
| 03 | .850 (21.6) | 1.046 (26.6) | .843 (21.4) | .250 (6.4) | .375 (9.5) | |
| 04 | .850 (21.6) | 1.156 (29.4) | .968 (24.6) | .375 (9.5) | .500 (12.7) | |
| 10 | .760 (19.3) | 1.281 (32.5) | 1.192 (30.3) | .375 (9.5) | .625 (15.9) | |
| 12 | .760 (19.3) | 1.500 (38.1) | 1.380 (35.1) | .438 (11.1) | .750 (19.1) | |
| 16 | 1.073 (27.3) | 1.719 (43.7) | 1.535 (39.0) | .562 (14.3) | .938 (23.8) | |
| 20 | 1.323 (33.6) | 2.062 (52.4) | 1.848 (46.9) | .750 (19.1) | 1.250 (31.8) | |
| 24 | 1.323 (33.6) | 2.312 (58.7) | 2.255 (57.3) | .875 (22.2) | 1.375 (34.9) | |
| 28 | 1.572 (39.9) | 2.719 (69.1) | 2.505 (63.6) | 1.125 (28.6) | 1.625 (41.3) | |

- When maximum cable entry (page 21) is exceeded, Style 2 will be supplied.
Dimensions E, F, G and H will not apply. Please consult factory.
- Metric dimensions (mm) are indicated in parentheses.
- Cable range is defined as the accommodations range for the wire bundle or cable.
Dimensions shown are not intended for inspection criteria.
- Consult factory for shorter lengths on straight backshells.

TABLE II: STANDARD FINISHES

| GLENAIR SYMBOL | FINISH |
|---|---|
| B | Cadmium Plate, Olive Drab |
| M | Electroless Nickel |
| NF | Cadmium Plate, Olive Drab Over Electroless Nickel |
| See Inside Back Cover for Additional Finish Options | |

Mouser Electronics

Authorized Distributor

Click to View Pricing, Inventory, Delivery & Lifecycle Information:

Glenair:

[380AA005M2204M](#) [380AA005M2804M](#) [380AA005M2810M](#) [380AS005B1210M3](#) [380AS005B1610M3](#)
[380AS005B1812M3](#) [380AS005B2412M3](#) [380AS005M1203M3](#) [380AS005N1203M3](#) [380AS005N1602M3](#)
[380AS005NF1403M3](#) [380AS005NF1403M4](#) [380AS005NF1804M3](#) [380AS005NF1810M3](#) [380AS005NF2412M4](#)
[380AS005NF2416M4](#) [380AS005NF2420M4](#) [380FA005M1403M](#) [380FA005M1404M](#) [380FA005NF1203M](#)
[380FB005J1410M](#) [380FB005J2016M](#) [380FB005J2020M](#) [380FB005NF1616M](#) [380HA005N1716M](#) [380HA005N2528M](#)
[380HA005NF0902M](#) [380HA005NF1104M](#) [380HA005NF1310M](#) [380HA005NF1510M](#) [380HA005NF1512M](#)
[380HA005NF1516M](#) [380HA005NF1712M](#) [380HB005M1310M](#) [380HB005NF2516M](#) [380HS005B2128M6](#)
[380HS005M1303D3](#) [380HS005M1303M3](#) [380HS005M1310M4](#) [380HS005M2116M4](#) [380HS005M2516D4](#)
[380HS005M2516M4](#) [380HS005N1910M4](#) [380HS005N2516M4](#) [380HS005NC2310M3](#) [380HS005NF0902M3](#)
[380HS005NF0902M6](#) [380HS005NF0903M3](#) [380HS005NF0903M4](#) [380HS005NF1102M3](#) [380HS005NF1103M3](#)
[380HS005NF1103M4](#) [380HS005NF1104M3](#) [380HS005NF1104M4](#) [380HS005NF1303M3](#) [380HS005NF1303M4](#)
[380HS005NF1304M3](#) [380HS005NF1304M4](#) [380HS005NF1310M3](#) [380HS005NF1312M4](#) [380HS005NF1503M3](#)
[380HS005NF1510M3](#) [380HS005NF1510M4](#) [380HS005NF1512M6](#) [380HS005NF1516M4](#) [380HS005NF1703M4](#)
[380HS005NF1704M4](#) [380HS005NF1704M6](#) [380HS005NF1710M3](#) [380HS005NF1712M4](#) [380HS005NF1716M4](#)
[380HS005NF1716M5](#) [380HS005NF1910M4](#) [380HS005NF1912M4](#) [380HS005NF1916M4](#) [380HS005NF1920M5](#)
[380HS005NF1920M6](#) [380HS005NF1924M4](#) [380HS005NF2104M6](#) [380HS005NF2110M3](#) [380HS005NF2110M4](#)
[380HS005NF2112M4](#) [380HS005NF2112M6](#) [380HS005NF2116M3](#) [380HS005NF2316M4](#) [380HS005NF2316M6](#)
[380HS005NF2512M3](#) [380HS005NF2516M3](#) [380HS005NF2516M4](#) [380HS005NF2516M6](#) [380HS005NF2520M4](#)
[380XS005NF0103M5-709E](#) [380AS005NF1003M4](#) [380AS005NF2404M3](#) [380FA005M1004M](#) [380FA005M1410M](#)
[380FA005M2016M](#) [380FA005M2412M](#) [380FA005M2420M](#) [380FA005NF2416M](#)