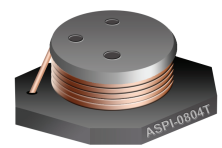


SMD Power Inductor



13.5 x 9.5 x 5.5mm

ASPI-0804T



FEATURES:

- Compact size 13.5 x 9.5 x 5.5mm
- High energy storage and very low DCR
- Suitable for RoHS compliant reflow
- Special design lead wire for high isolation

APPLICATIONS:

- Step-up and step-down converters
- Telecommunications
- DC-DC converter used in PDA, notebook computers and mobile phones

ELECTRICAL SPECIFICATIONS:

Abracon P/N:	ASPI-0804T Series
Operating Temperature & Humidity :	-40°C to +85°C
Storage Temperature & Humidity:	+22°C to +28°C, Humidity < 80%RH

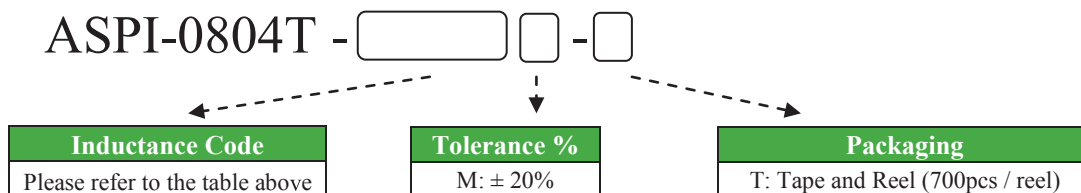
PART NUMBER	INDUCTANCE (uH)	Tolerance	DCR(Ω) max	IDC (A) max
ASPI-0804T-1R0	1.0	M	0.009	9.00
ASPI-0804T-1R5	1.5	M	0.010	8.00
ASPI-0804T-2R2	2.2	M	0.012	7.00
ASPI-0804T-3R3	3.3	M	0.015	6.40
ASPI-0804T-4R7	4.7	M	0.018	5.40
ASPI-0804T-6R8	6.8	M	0.027	4.60
ASPI-0804T-100	10	M	0.038	3.80
ASPI-0804T-120	12	M	0.050	3.10
ASPI-0804T-150	15	M	0.046	3.00
ASPI-0804T-220	22	M	0.085	2.60
ASPI-0804T-330	33	M	0.100	2.00
ASPI-0804T-470	47	M	0.140	1.60
ASPI-0804T-680	68	M	0.200	1.40
ASPI-0804T-101	100	M	0.280	1.20
ASPI-0804T-151	150	M	0.400	1.00
ASPI-0804T-181	180	M	0.583	0.90
ASPI-0804T-221	220	M	0.610	0.80
ASPI-0804T-331	330	M	1.020	0.60
ASPI-0804T-471	470	M	1.270	0.50
ASPI-0804T-681	680	M	2.020	0.40
ASPI-0804T-102	1000	M	3.000	0.30

Test Conditions

Inductance: 100kHz

Isat: ΔL/L (initial) ≥ -10%

OPTIONS AND PART IDENTIFICATION:

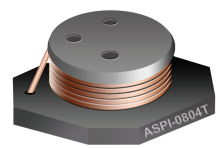


SMD Power Inductor

ASPI-0804T

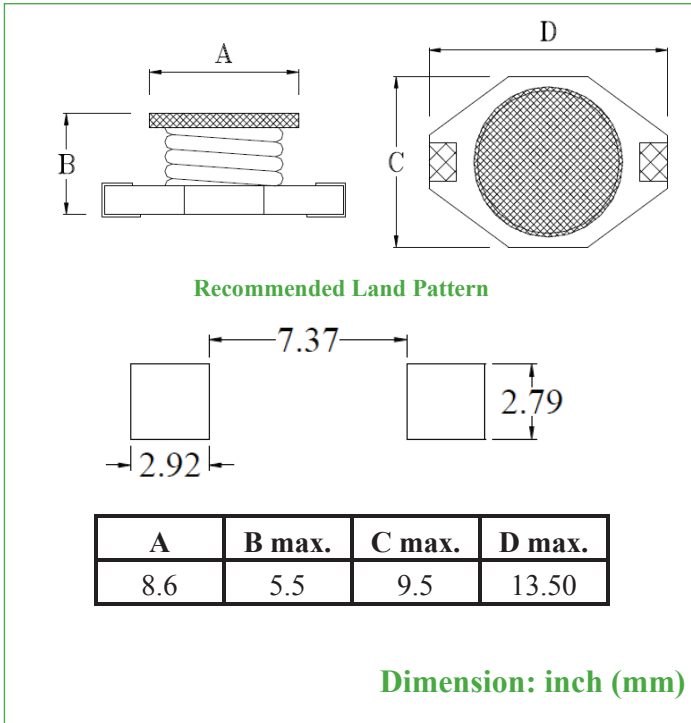


RoHS
Compliant

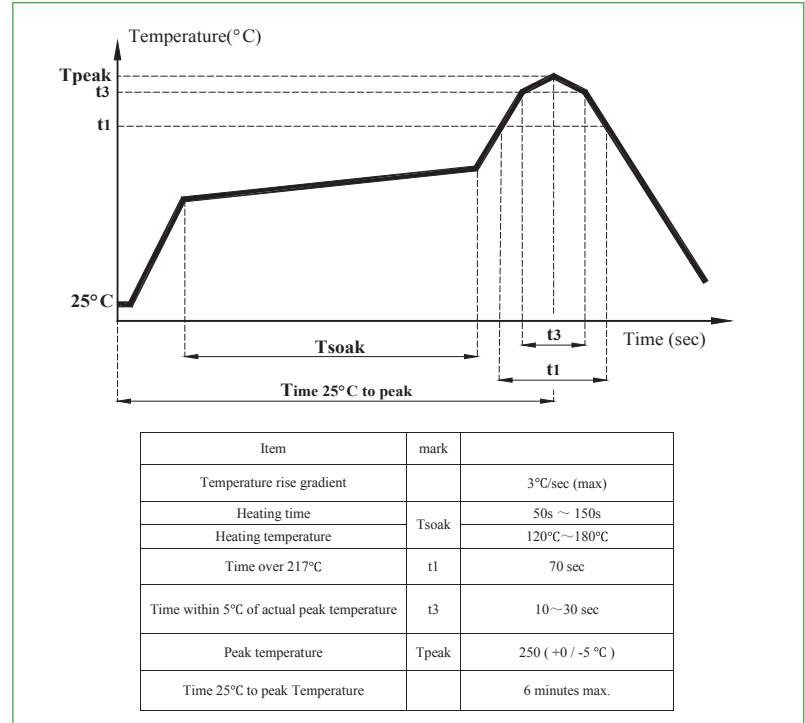


13.5 x 9.5 x 5.5mm

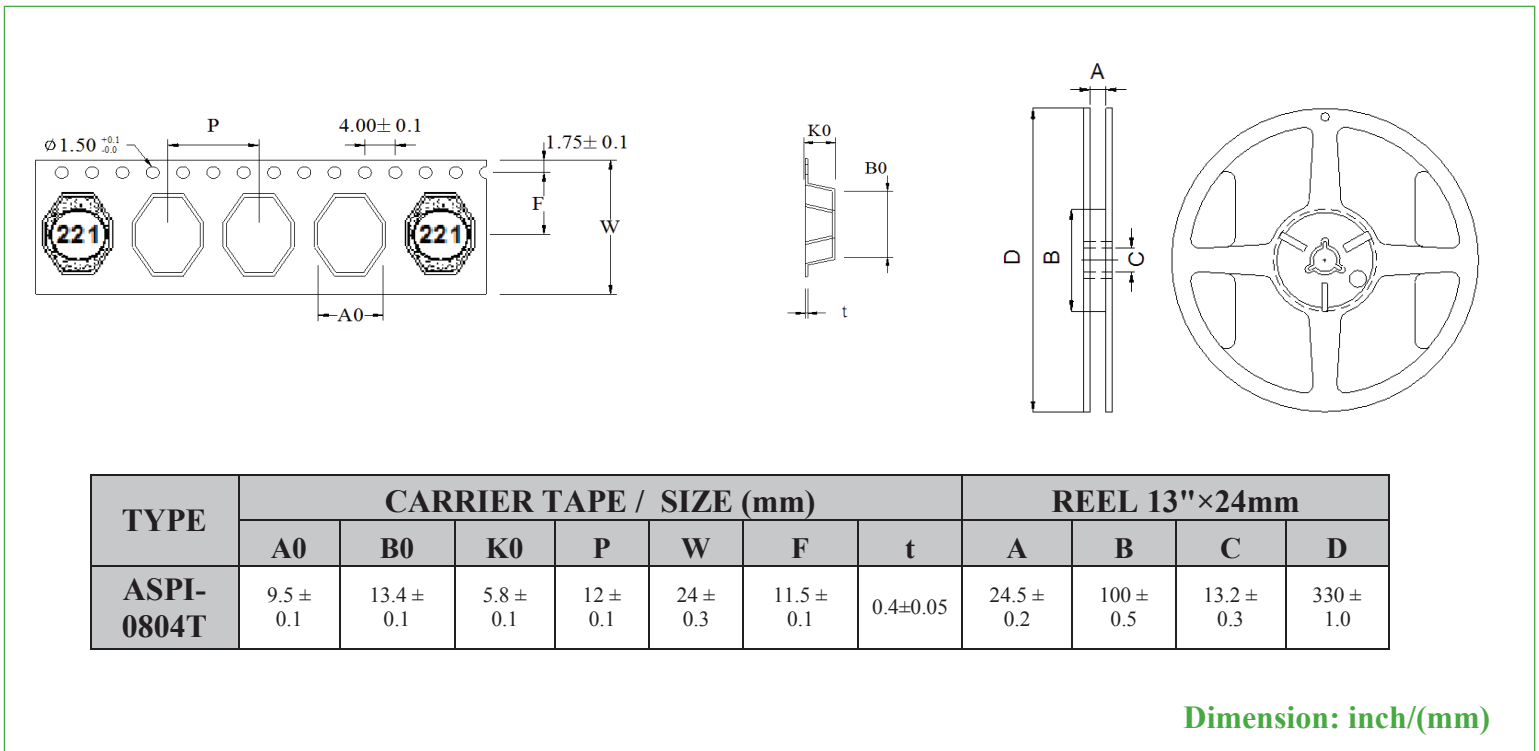
OUTLINE DIMENSIONS:



REFLOW PROFILE:



TAPE & REEL: T: 700pcs / reel



ATTENTION: Abracon LLC's products are COTS – Commercial-Off-The-Shelf products; suitable for Commercial, Industrial and, where designated, Automotive Applications. Abracon's products are not specifically designed for Military, Aviation, Aerospace, Life-dependant Medical applications or any application requiring high reliability where component failure could result in loss of life and/or property. For applications requiring high reliability and/or presenting an extreme operating environment, written consent and authorization from Abracon LLC is required. Please contact Abracon LLC for more information.

Mouser Electronics

Authorized Distributor

Click to View Pricing, Inventory, Delivery & Lifecycle Information:

ABRACON:

[ASPI-0804T-100M-T](#) [ASPI-0804T-101M-T](#) [ASPI-0804T-102M-T](#) [ASPI-0804T-150M-T](#) [ASPI-0804T-151M-T](#) [ASPI-0804T-181M-T](#) [ASPI-0804T-1R0M-T](#) [ASPI-0804T-1R5M-T](#) [ASPI-0804T-220M-T](#) [ASPI-0804T-221M-T](#) [ASPI-0804T-2R2M-T](#) [ASPI-0804T-330M-T](#) [ASPI-0804T-331M-T](#) [ASPI-0804T-3R3M-T](#) [ASPI-0804T-470M-T](#) [ASPI-0804T-471M-T](#) [ASPI-0804T-4R7M-T](#) [ASPI-0804T-680M-T](#) [ASPI-0804T-681M-T](#) [ASPI-0804T-6R8M-T](#)