

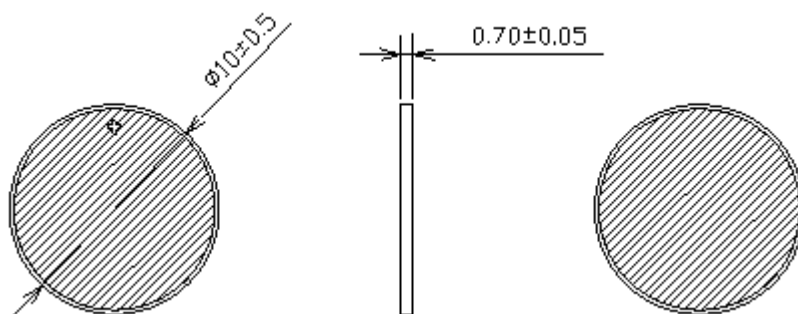
SPECIFICATION

1. Part number: JTY21R-10067B0-01

2. Electronic Performance

Item	Unit	Standard	Test Conditions (25±3) °C 40%~70%R.H.
Radial Resonant Frequency (Fr)	KHz	220±5	Impedance analyze
Thickness Resonant Frequency (Fr)	MHz	3.00±0.07	Impedance analyze
Thickness Resonant Impedance (Rr)	Ω	≤2.5	Impedance analyze
Static Capacitance (C <sub>0</sub> )	pF	1300±12.5%	Digital electric bridge At 1000Hz/1V
Loss (tg)	%	≤0.5	Impedance analyze
d33		≥280	D33 Tester

3. Appearance and Dimensions:



4. Standard Package

Qty/Carton	Inner Tray Size (cm)	Inner Carton Size (cm)	Outside Carton Size(cm)	Gross Weight (Kg)
20160	30.5×16.5×8.0	31.2×17.2×8.7	36.7×32.7×20.5	10

Notes: There are 4 pcs inner cartons in the outside carton, 5040pcs in each inner carton.