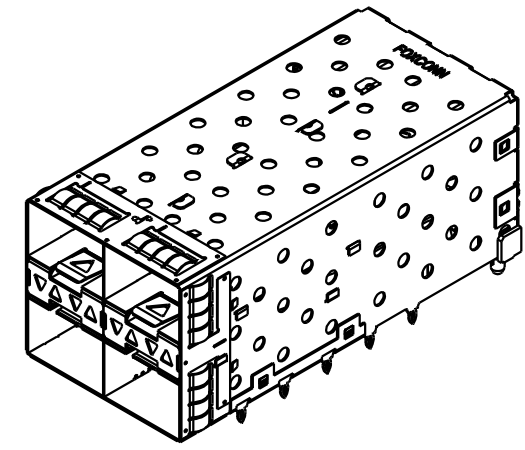
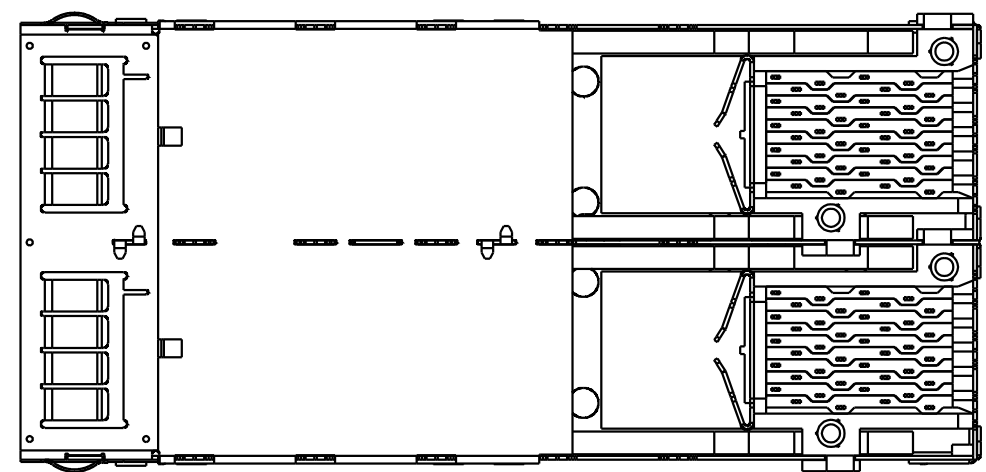
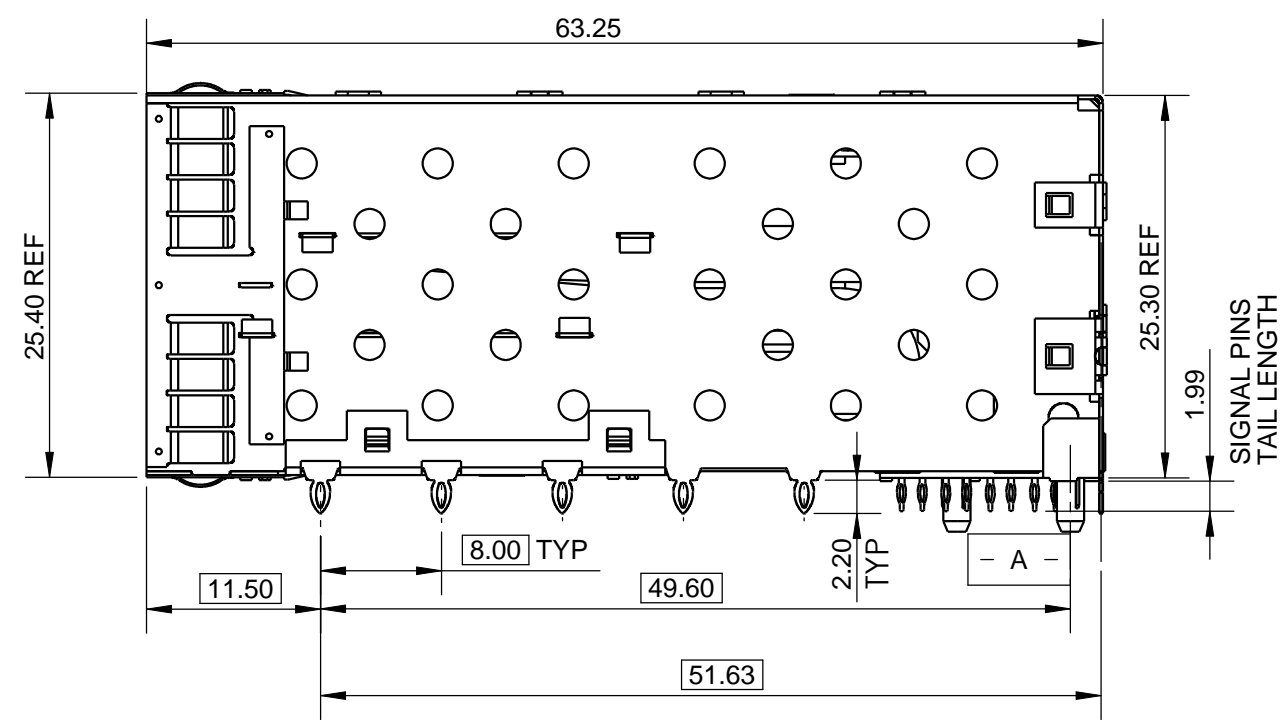
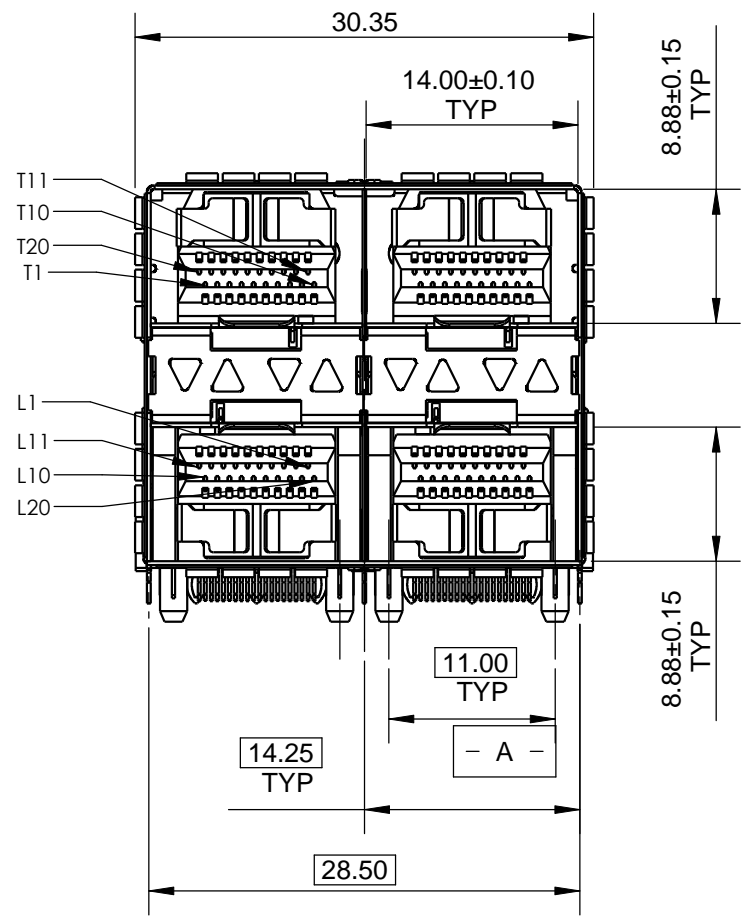


REV.	ECN. NO	APPD
A	BC-13-0026816	CAMVARD
B	BC-13-0046742	CAMVARD
C	BC-14-0017558	CAMVARD
D	BC-14-0021949	CAMVARD



WITH FULL LIGHT PIPE

PART LIST

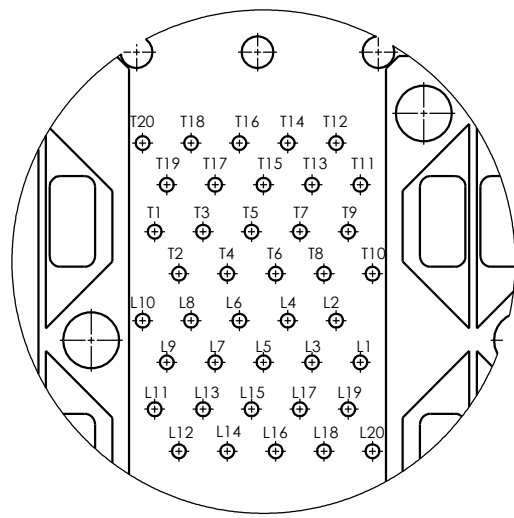
3S1020F3-AD4-4 F	LEAD FREE CODE
F:SFP PLUS 2XN CONNECTOR	F: LEAD FREE NONE:TIN/LEAD
3:30 u" GOLD PLATING	PACKING TYPE
A: CAGE/CONNECTOR INTEGRAL	4:TRAY
	D: SFP+2X2,WITH LIGHT PIPE INTEGRAL

NOTES, UNLESS OTHERWISE SPECIFIED:

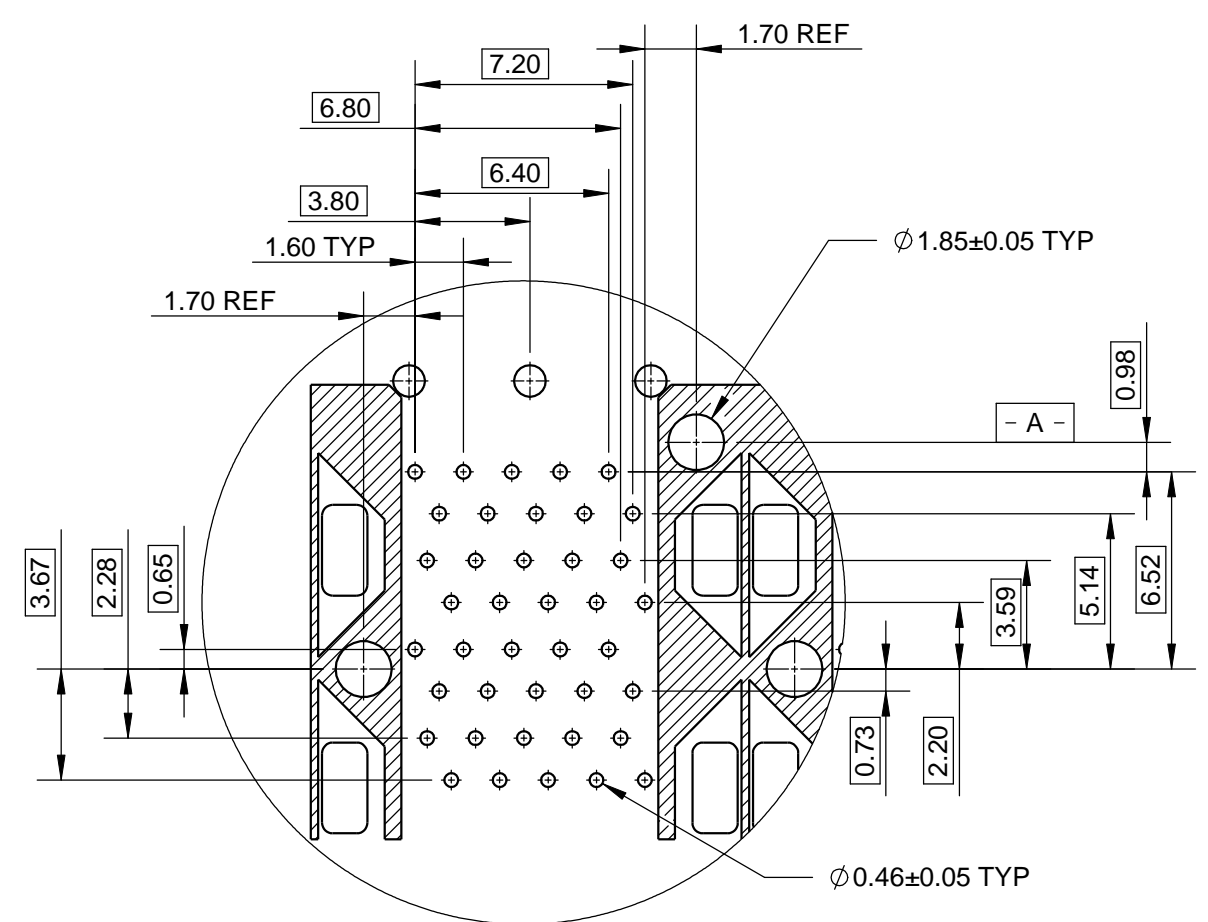
MATERIAL:
CONNECTOR HOUSING: THERMAL PLASTIC, UL94 V-0.
CONTACT: COPPER ALLOY.
CONNECTOR I/M: THERMAL PLASTIC, UL94 V-0
CAGE ASSEMBLY: COPPER ALLOY
LIGHT PIPE: POLYCARBONITE, UL94 V-0.

FINISH:
CONTACT:
1)50u" MIN. NICKEL UNDER PLATING.
2)30u" MIN. TIN/LEAD OR TIN PLATING AT PRESS FIT AREA.
3)30u" MIN. GOLD PLATING AT CONTACT AREA.
3.PRESS FIT HOLES:
CONTACT:
1)HOLE DIAMETER AFTER PLATING: 0.41~0.51mm.
2)DRILLED HOLE: 0.535~0.585mm.
CAGE:
1)HOLE DIAMETER AFTER PLATING: 1.00~1.10mm.
2)DRILLED HOLE: 1.125~1.175mm.

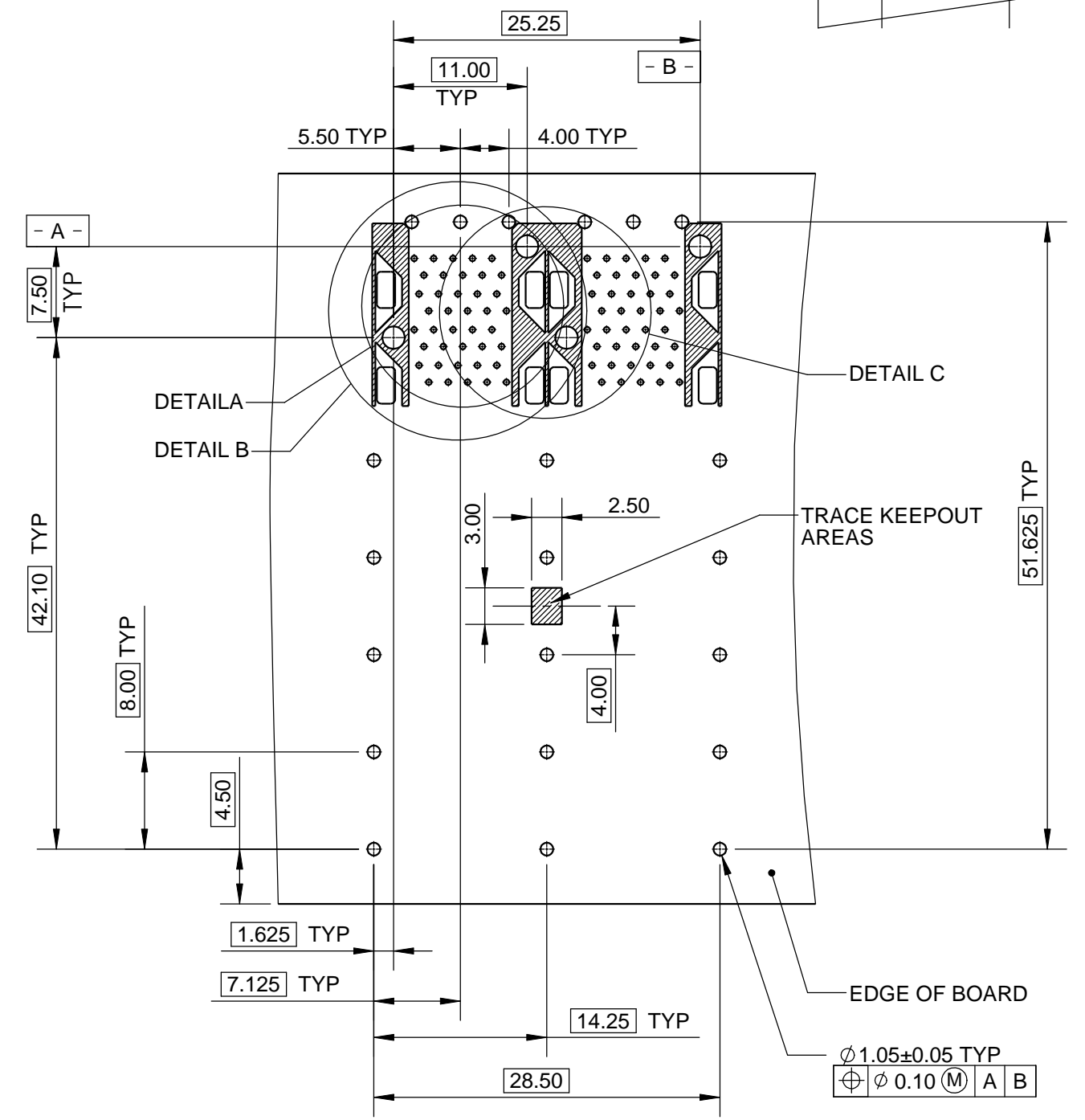
X±	X° ± 5°	UNITS mm	NAME(INTENDED USE) SFPPLUS 2x2 CAGE&CONN	FOXCONN FOXCOON INTERCONNECT TECHNOLOGYLIMITED
.X± 0.25	.X° ±	MAT'L	PART NO.(INTENDED USE) 3S1020F3-**4-4F	
.XX± 0.15	.XX° ±	1	APPD: CAMVARD 2014/5/5	CLASS: <input type="checkbox"/> CONFIDENTIAL <input type="checkbox"/> SECRET <input checked="" type="checkbox"/> GENERAL
.XXX ±	.XXX° ±	FINISH	2014/5/5	TITLE: CUSTOMER DRAWING
THESE DRAWINGS AND SPECIFICATIONS ARE THE PROPERTY OF FOXCOON INTERCONNECT TECHNOLOGYLIMITED. AND SHALL NOT BE REPRODUCED,COPIED OR USED IN ANY MANNER WITHOUT THE PRIOR WRITTEN CONSENT OF HON HAI PRECISION IND. CO., LTD.			2	DWG NO.: 323-0000-1785
			Q'TY	CHKD:ROBIN 2014/5/5 DR:JERRY TIAN 2014/5/5
				SCALE SHEET REV. 2:1 1/6 D



DETAIL A
SCALE 4 : 1

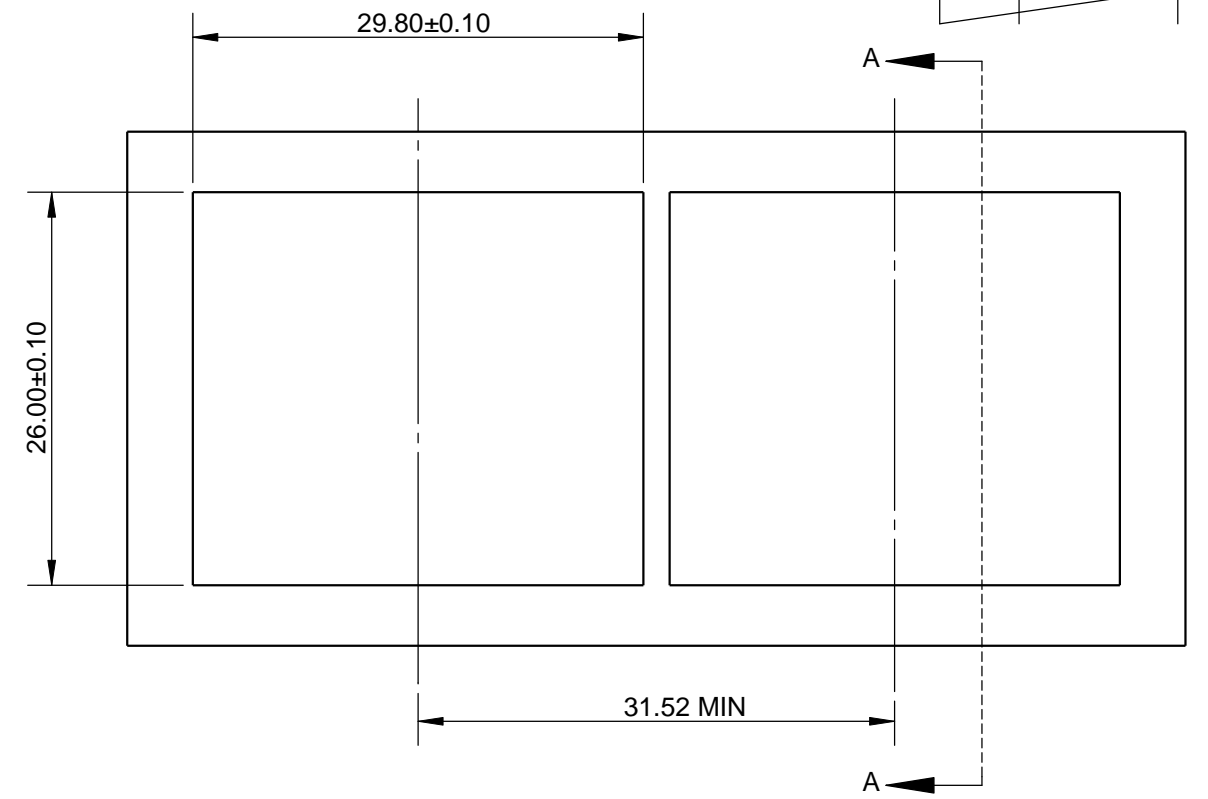
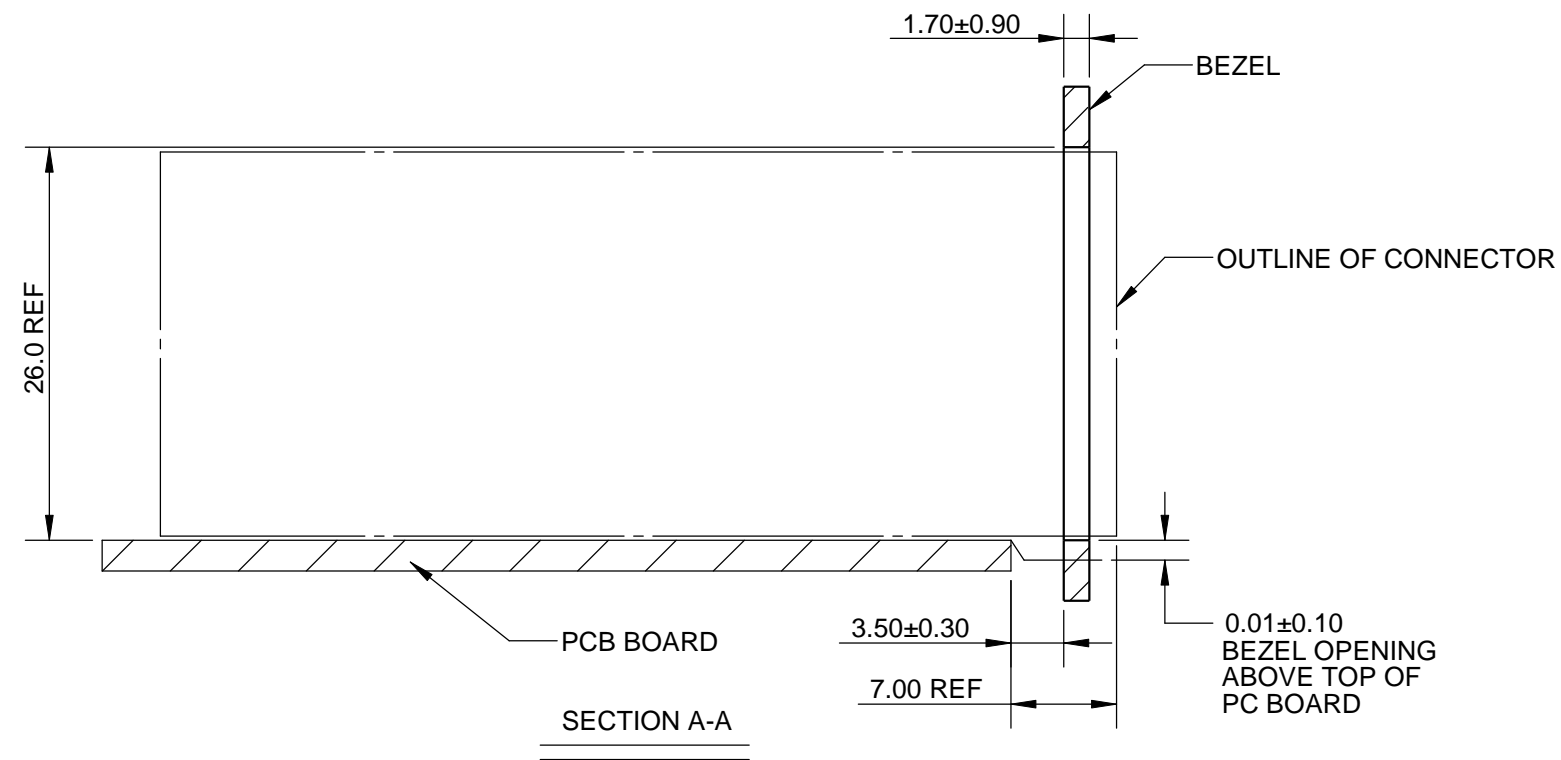


DETAIL B
SCALE 4 : 1

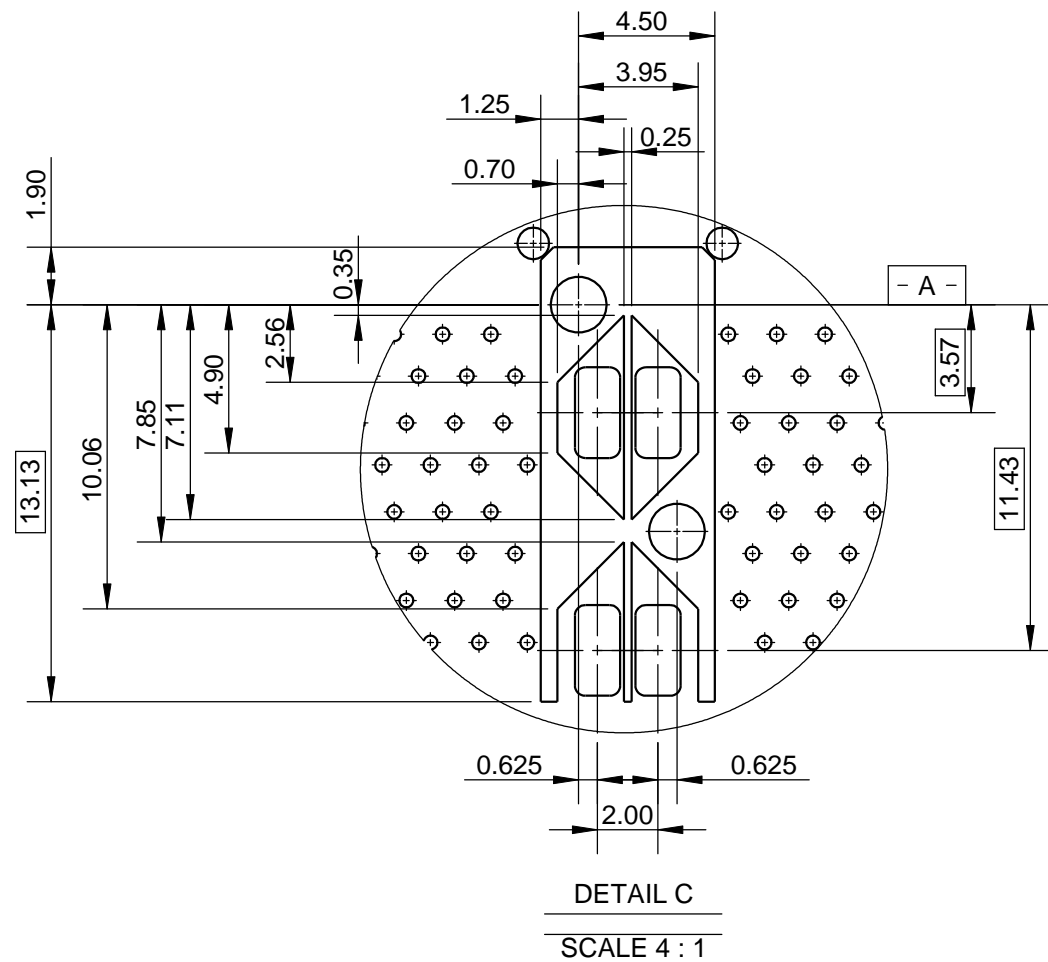


X.±	X.± 5°	UNITS _{mm}	NAME (INTENDED USE)	FOXCONN FOXCOON INTERCONNECT TECHNOLOGY LIMITED
.X± 0.25	.X±	MAT'L	SFP PLUS 2x2 CAGE&CONN	
.XX± 0.15	.XX±		PART NO. (INTENDED USE)	CLASS: <input type="checkbox"/> CONFIDENTIAL <input type="checkbox"/> SECRET <input checked="" type="checkbox"/> GENERAL
.XXX±	.XXX±	FINISH	3S1020F3-**4-4F	TITLE: CUSTOMER DRAWING
<small>THESE DRAWINGS AND SPECIFICATIONS ARE THE PROPERTY OF FOXCOON INTERCONNECT TECHNOLOGY LIMITED, AND SHALL NOT BE REPRODUCED, COPIED OR USED IN ANY MANNER WITHOUT THE PRIOR WRITTEN CONSENT OF HON HAI PRECISION IND. CO., LTD.</small>			APPD: CAMVARD	DWG NO.:
			2014/5/5	323-0000-1785
			CHKD: ROBIN	SCALE SHEET REV.
			2014/5/5	2:1 5/6 D
			DR: JERRY TIAN	
			2014/5/5	

REV.	ECN.	NO.	APPD.



BEZEL CUT-OUT CENTER SPACING DETAIL
BEZEL THICKNESS:0.8-2.6mm



DETAIL C
SCALE 4 : 1

X.±	X.± 5°	UNITS mm	NAME(INTENDED USE) SFP PLUS 2x2 CAGE&CONN	FOXCONN FOXCOON INTERCONNECT TECHNOLOGYLIMITED
.XX± 0.25	.XX±	MAT'L	PART NO.(INTENDED USE) 3S1020F3-**4-4F	
.XXX± 0.15	.XXX±	FINISH	APPD:CAMVARD 2014/5/5	CLASS: <input type="checkbox"/> CONFIDENTIAL <input type="checkbox"/> SECRET <input checked="" type="checkbox"/> GENERAL
.XXX±	.XXX±		Q'TY	CHKD:ROBIN 2014/5/5
THESE DRAWINGS AND SPECIFICATIONS ARE THE PROPERTY OF FOXCOON INTERCONNECT TECHNOLOGYLIMITED, AND SHALL NOT BE REPRODUCED, COPIED OR USED IN ANY MANNER WITHOUT THE PRIOR WRITTEN CONSENT OF HON HAI PRECISION IND. CO., LTD.			DR: JERRY TIAN 2014/5/5	DWG NO.: 323-0000-1785