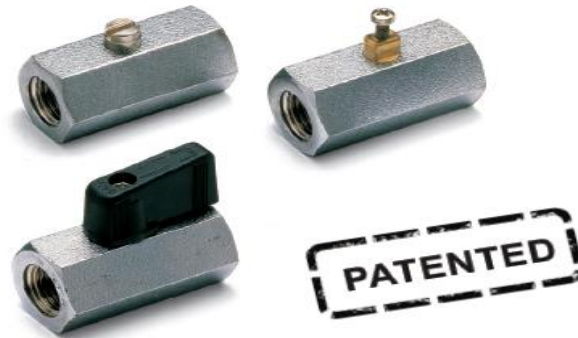


Datasheet

s.35 high pressure

Mini 1/8"-1/2" drawn brass ball valves



Quality:

- Dual sealing system allows valve to be operated in either direction making installation easier
- No metal-to-metal moving parts
- No maintenance ever required
- Silicone-free lubricant on all seals
- Chrome plated brass ball for longer life
- Each valve is seal tested for maximum safety
- Handle/stem clearly shows ball position

Body:

- One piece drawn sand blasted brass body with extremely compact design
- Finest brass according to EN 12164 specification
- Patent n. 7011-B/89

Stem:

- Blowout-proof brass stem with FPM O-ring

Seals:

- Pure PTFE self-lubricating seats with flexible-lip design

PED Directives:

- The product meets the requirements of PED Directive 97/23 and according to art.3 par.3, it does not require CE marking



Threads:

- ISO 228 parallel female by female threads

Handle:

- Reinforced nylon black wedge handle removable with valve in service

Working Pressure:

- 30 Bar (450 PSI)
- non-shock cold working pressure

Working Temperature:

- -20°C (-4°F) / +90°C (+200°F)
- +120°C (+250°F) screw driver version and metal wedge handle
- Warning: freezing of the fluid in the installation may severely damage the valve

Options:

- Male by Female threads
- Screw driver or wrench operated
- Nylon wedge handle yellow, red or green
- Metal wedge handle available in colours red, black, yellow, green, light blue, chrome plated
- Grey wedge handle in Grivory® - high performing polymer
- NPT taper ANSI B.1.20.1 threads
- Additional connection options on demand

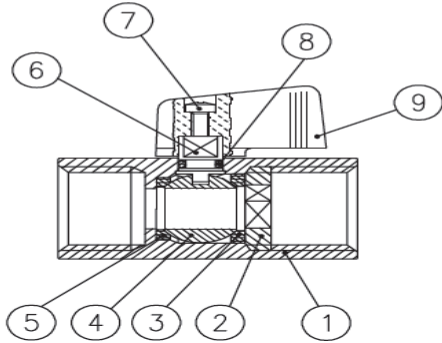
Upon Request:

- Aluminum body
- ISO 7/1 BSPT Taper threads
- Dezincification Resistant brass CW602N

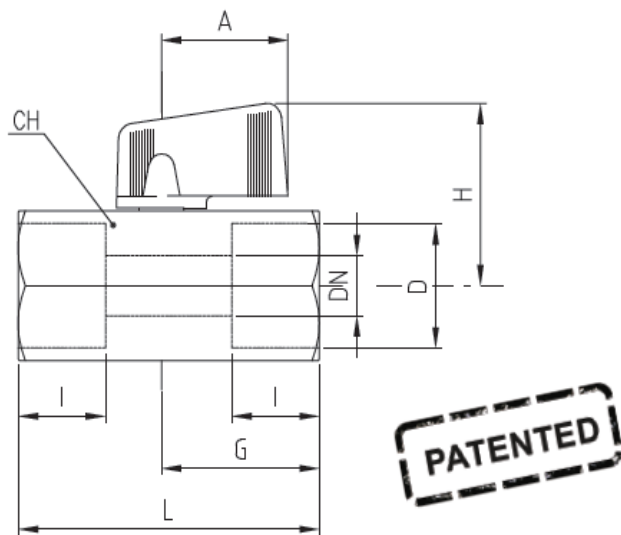
Approved by or in compliance with:

- GOST-R (Russia)
- Hygiene and epidemic center in Moscow city (Russia)
- UkrSepro (Ukraine)
- RoHS Compliant
- EAC - Declaration of conformity (Russia-Kazakhstan-Belarus)

NOTE: Approvals apply to specific configurations/sizes only.

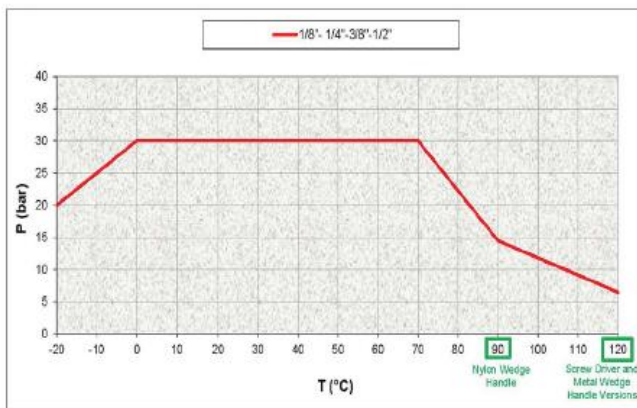


Part Description	Q.ty	Material
1	1	CW617N
2	1	CW617N
3	1	PTFE
4	1	CW617N
5	1	PTFE
6	1	CW617N
7	1	CB4FF
8	1	FPM
9	1	Nylon glass filled 30%



Code	S35AF0	S35BF0	S35CF0	S35DF0
D (inch)	1/8	1/4	3/8	1/2
DN(mm)	6	8	8	10
I (mm)	10	11	11	13
L (mm)	41.5	41.5	41.5	49
G (mm)	22	22	22	26
A (mm)	22.5	22.5	22.5	22.5
H (mm)	31	31	31	33
CH(mm)	21	21	21	25

Pressure-Temperature Chart



Pressure Drop Chart

