

Series 80 Mighty Mouse Rotatable Coupling Band-Master™ ATS Thread-On Adapter

440M*135 Straight, 90° and 45° Ordering Information



Accessories



**Band-Master™ ATS Band
Microband 601-061**



**Band-Master™ ATS
Micro Band Tool
601-101**



**Add a boot or overmold
for environmental protection
(Shown without boot)**

These thread-on adapters are used with **Band-Master™ ATS Micro Band** shield termination straps. Choose the smallest cable entry for your wire bundle. **Straight Entry** adapters are available in various lengths. **Straight, 45°** and **90°** adapters feature rotatable coupling nuts.

How To Order

Sample Part Number	440MS135	M	07	05-	7	K	
Series (See Table I)	440MS135 = Straight Entry 440MK135 = 45° Entry 440ML135 = 90° Entry						
Shell Material and Finish	UCR = Aluminum / Zinc Cobalt Black M = Aluminum / Electroless Nickel NF = Aluminum / Cadmium with Olive Drab ZN = Aluminum / Zinc-Nickel with Olive Drab Chromate ZNU = Aluminum / Zinc-Nickel with Black Chromate MT = Aluminum / Nickel-PTFE Z1 = Stainless Steel / Passivated						
Size Code (See Table II)	05, 06, 11, 07, 08, 09, 10, 12, 13, 14, 16, 17						
Cable Entry Size (See Table III)	02-, 03-, 04-, 05-, 06-, 07-, 08-, 09-, 10-, 11-, 12-, 13-, 14-						
Length	Applies to symbol "S", straight only Length in 1/8 (3.18mm) inch increments (i.e. 7 = .875 inches)						
Band Option	K = Pre-coiled Band Supplied (600-057-1) = Band Supplied (600-057) Omit for no band supplied						
Lace-Tie Option	T = Lace-Tie Omit for no lace-tie option						



Table I: Cover Style

440MS135 Straight Entry	440MK135 45° Entry	440ML135 90° Entry

NOTES

- Standard Minimum Length is .75. applies to symbol "S" straight only.
- Consult factory for larger cable entries dimensions C, D, E & F may be exceeded.

Materials

- Coupling nut, Adapter: aluminum alloy or 300 series SST
- Band: 300 series SST
- O-ring: silicone elastomer

Dimensions in Inches (millimeters) are subject to change without notice.



Series 80 Mighty Mouse Rotatable Coupling Band-Master™ ATS Adapter 440MS135, 440MK135 and 440ML135 Dimensions

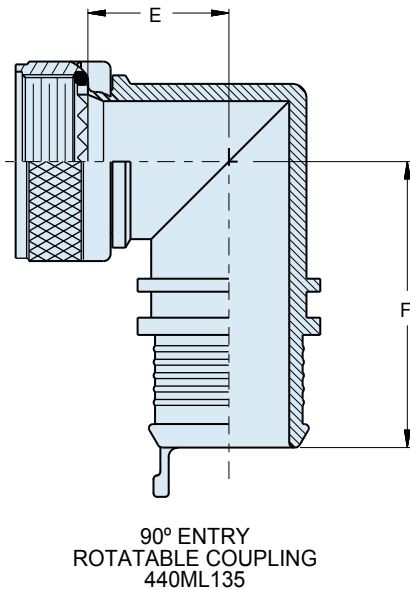
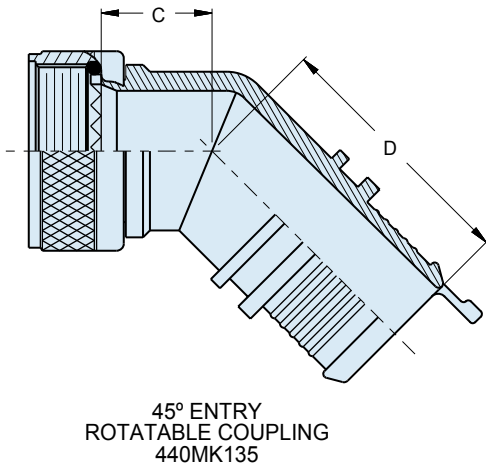
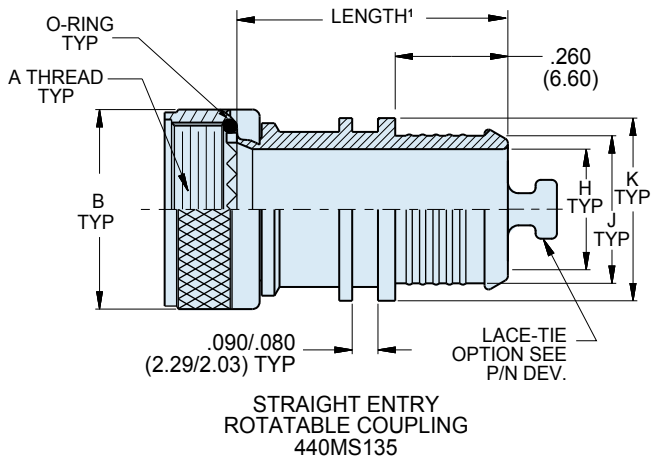


Table II: Dimensions				
Size Code	A Threads	Shell Size		Max Cable Entry Code²
		Series 800, 801, 803, 804	Series 805	
05	.2500-32 UNEF-2B	5	N/A	03
06	.3125-32 UNEF-2B	6	N/A	04
11	.375-32 UNEF-2B	N/A	8	04
07	.4375-28 UNEF-2B	7	9	06
08	.5000-28 UNEF-2B	8	10	07
09	.5625-24 UNEF-2B	9	11	08
10	.6250-24 UNEF-2B	10	12	09
12	.6875-24 UNEF-2B	11, 12, 13	13	10
13	.750-20 UNEF-2B	N/A	15	10
14	.9375-20 UNEF-2B	14, 15, 16, 17	18, 19	14
16	1.0625-18 UNEF-2B	19	21	15
17	1.1875-18 UNEF-2B	21	23	16

Table II: Dimensions (continued)										
Size Code	B Max.		C Max.		D Max.		E Max.		F Max.	
	In.	mm.	In.	mm.	In.	mm.	In.	mm.	In.	mm.
05	.470	11.94	.530	13.46	.660	16.76	.630	16.00	.780	19.81
06	.530	13.46	.550	13.97	.670	17.02	.660	16.76	.790	20.27
11	.570	14.48	.560	14.22	.680	17.27	.680	17.27	.810	20.57
07	.637	16.18	.570	14.48	.690	17.53	.700	17.78	.830	21.08
08	.700	17.78	.580	14.73	.700	17.78	.740	18.80	.860	21.84
09	.758	19.25	.590	14.99	.710	18.03	.770	19.56	.890	22.61
10	.819	20.80	.610	15.49	.730	18.54	.800	20.32	.920	23.37
12	.896	22.76	.640	16.26	.750	19.05	.840	21.34	.970	24.64
13	.930	23.62	.660	16.76	.770	19.56	.890	22.60	1.020	25.91
14	1.137	28.88	.690	17.53	.800	20.32	.950	24.13	1.090	27.69
16	1.230	31.24	.710	18.03	.820	20.82	.980	24.89	1.130	28.70
17	1.387	35.23	.720	18.29	.830	21.08	1.010	25.65	1.160	29.46

Table III: Cable Entry Dimensions						
Cable Entry Code	Ø H		Ø J		Ø K	
	In.	mm.	In.	mm.	In.	mm.
	± .015	± 0.38	± .015	± 0.38	± .015	± 0.38
02	.125	3.18	.164	4.17	.266	6.76
03	.188	4.78	.227	5.77	.329	8.36
04	.250	6.35	.289	7.34	.391	9.93
05	.312	7.92	.351	8.92	.453	11.51
06	.375	9.53	.414	10.52	.516	13.11
07	.438	11.13	.477	12.12	.579	14.71
08	.500	12.70	.539	13.69	.641	16.28
09	.562	14.27	.601	15.27	.703	17.86
10	.625	15.88	.664	16.87	.766	19.46
11	.688	17.48	.727	18.47	.829	21.06
12	.750	19.05	.789	20.04	.891	22.63
13	.812	20.62	.851	21.62	.953	24.21
14	.875	22.23	.914	23.22	1.016	25.81
15	.938	23.83	.977	24.82	1.079	27.41
16	1.00	25.4	1.039	26.39	1.141	28.98

Dimensions in Inches (millimeters) are subject to change without notice.