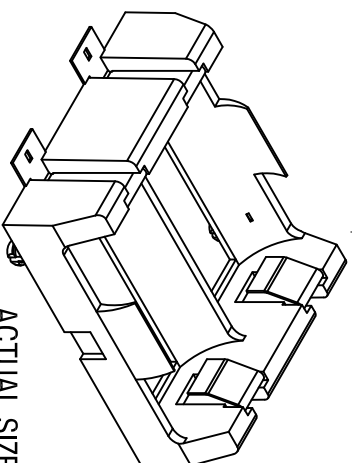
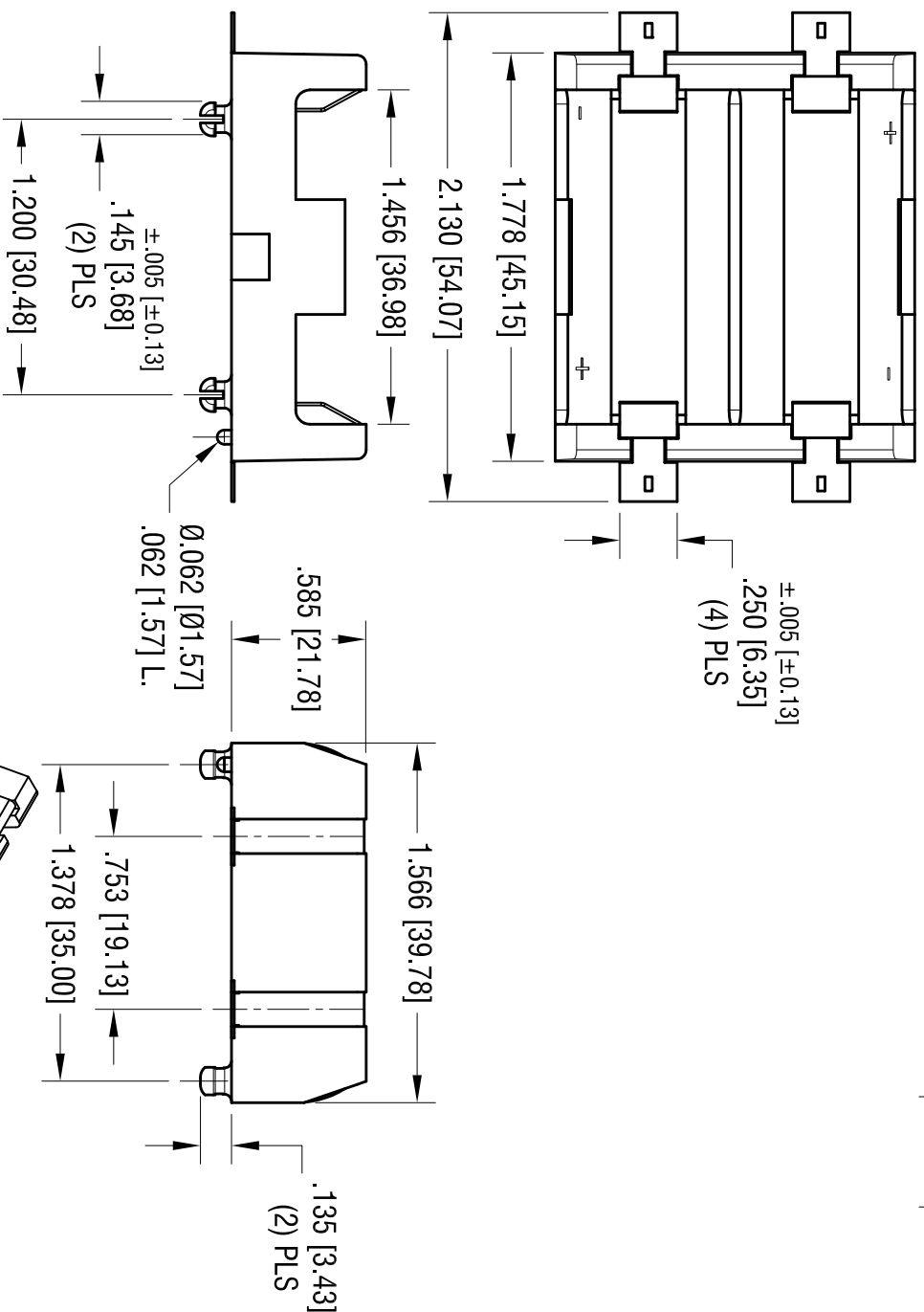
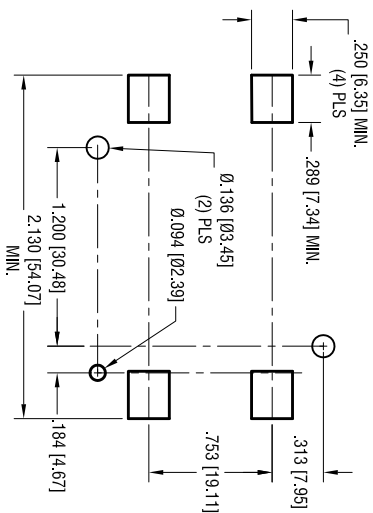


**MOUNTING PAD LAYOUT**



**ACTUAL SIZE**

**NOTE:**

1. BASE:

MAT'L: HEAT RESISTANCE NYLON

STANLYL 46 OR EQUIVALENT

2. CONTACT:

MAT'L: .012 [0.30] THK STAINLESS STEEL

FINISH: GOLD FLASH, OVER NICKEL PLATE

DATE

9.24.14

DESCRIPTION

CHANGE AS PER ECN 14-098

REV.

A

**KEYSTONE ELECTRONICS CORP.**

www.keystec.com • ASTORIA, N.Y. 11105-2017 • Tel (718) 956-8900

PART NAME

DUAL SM BATTERY HOLDER, 18350

MATERIAL

AS NOTED

FINISH

AS NOTED

TOLERANCES	INCH	[MM]	CODE	DRN BY	DATE
DECIMAL	± .010	[± 0.25]	C	NT	7.28.14
ANGULAR	± 1°			LN	SCALE 1.25X
UNLESS OTHERWISE SPECIFIED				1098	

THIS DOCUMENT IS THE PROPERTY OF KEYSTONE ELECTRONICS CORP. AND SHALL NOT BE REPRODUCED, DISTRIBUTED OR USED AS A BASIS FOR MANUFACTURE WITHOUT PRIOR WRITTEN PERMISSION FROM KEYSTONE ELECTRONICS CORP.

# Mouser Electronics

Authorized Distributor

Click to View Pricing, Inventory, Delivery & Lifecycle Information:

[Keystone Electronics:](#)

[1098](#)