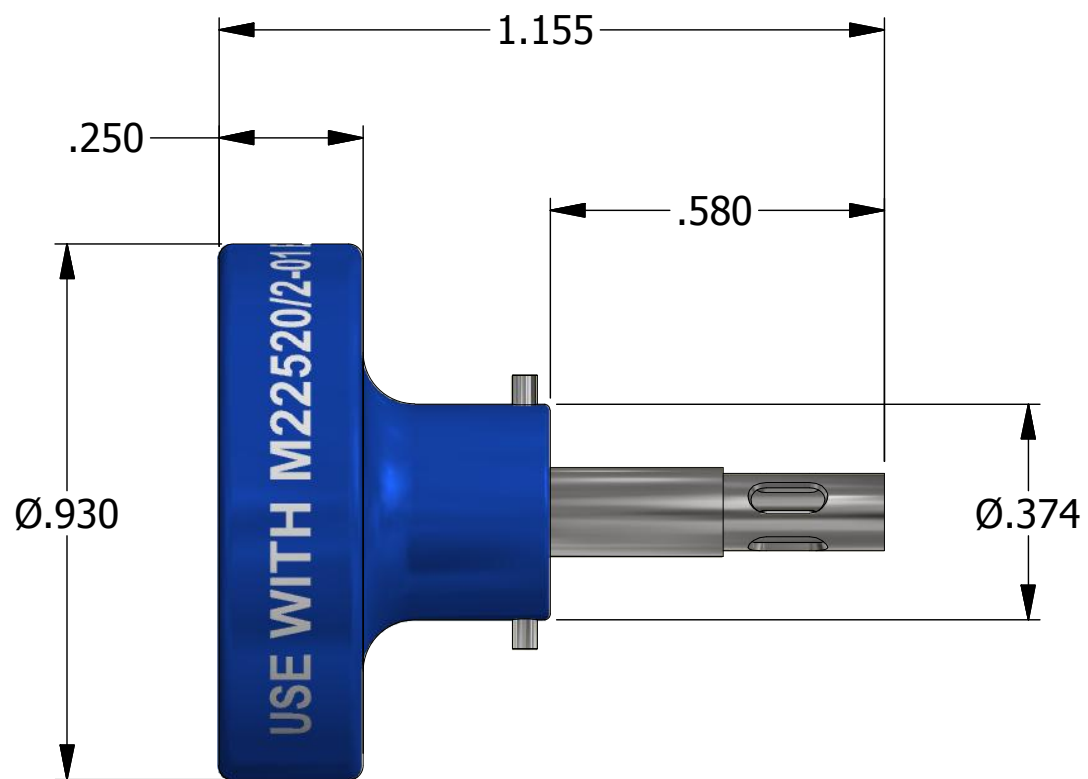
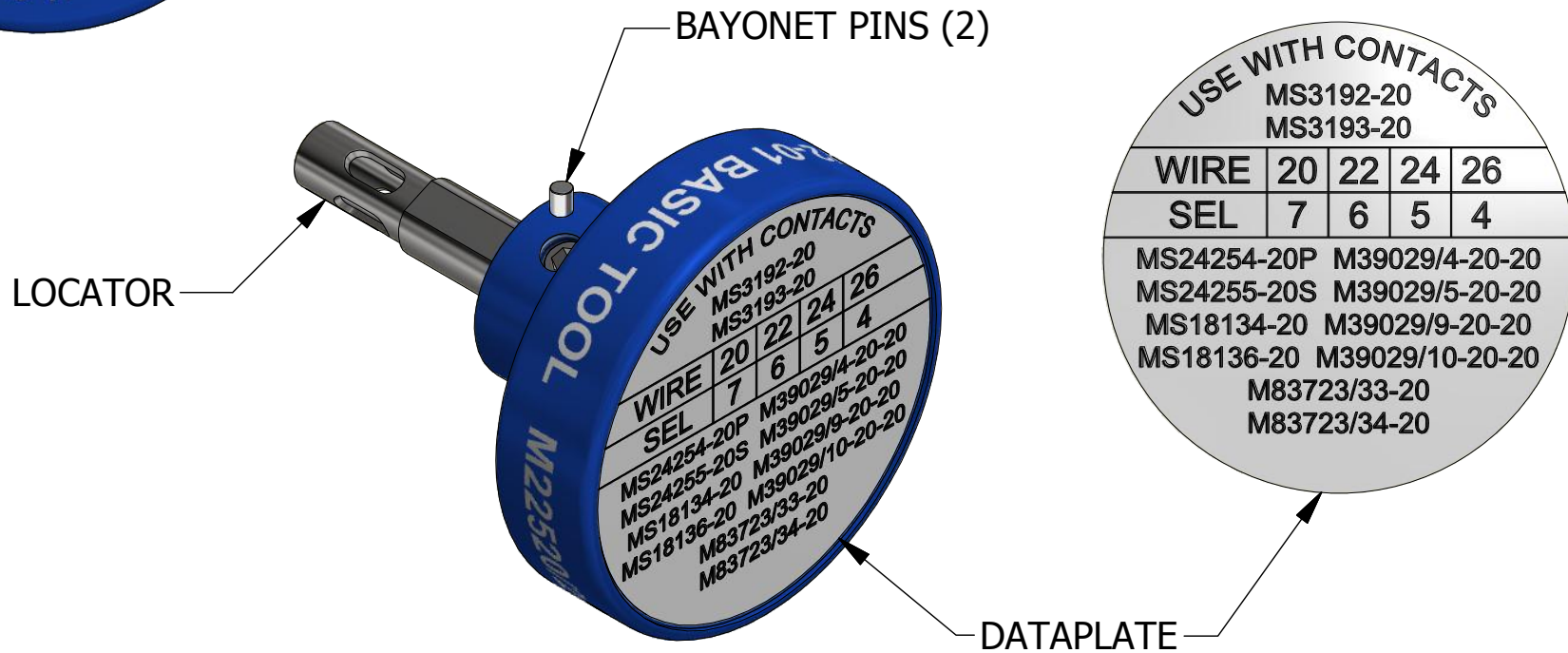


REVISIONS						
REV	ECO NO.	DESCRIPTION	BY	DATE	APP'D BY	DATE
2		REDRAWN	AAM	11/11/1999	RRR	11/11/1999
3	23573	UPDATED & REDRAWN	TonyD	4/7/2015		



**UNCONTROLLED DOCUMENT
WILL NOT BE UPDATED**
DIMENSIONS IN INCHES - UNLESS OTHERWISE SPECIFIED



LOCATOR	
HOLE DIMENSIONS	ADDITIONAL FEATURES
Ø.081 ▽THRU	└┘Ø.106 ▽.310

USE WITH CONTACTS				
MS3192-20 MS3193-20				
WIRE	20	22	24	26
SEL	7	6	5	4
MS24254-20P M39029/4-20-20				
MS24255-20S M39029/5-20-20				
MS18134-20 M39029/9-20-20				
MS18136-20 M39029/10-20-20				
M83723/33-20				
M83723/34-20				

MATERIAL	ITEM	PART NO.	QTY.	DESCRIPTION / REMARKS
N/A	DRN. DUNG CHK'D. DATE	DATE 1/27/1986		DANIELS MANUFACTURING CORP. ORLANDO, FLORIDA CAGE 11851
RESTRICTED & CONFIDENTIAL CONFIDENTIAL PROPERTY OF DANIELS MANUFACTURING CORP. NOT TO BE DISCLOSED TO OTHERS. REPRODUCTION OR USED FOR ANY OTHER PURPOSE EXCEPT AS AUTHORIZED IN WRITING BY DANIELS MANUFACTURING. MUST BE RETURNED TO DANIELS MANUFACTURING CORP. ON COMPLETION OF ORDER OR PURPOSES FOR WHICH LENT.	HEAT TREAT	N/A		
CREATED FROM AN INVENTOR MODEL. CHANGES MUST BE REFLECTED IN THE 3D PART	FINISH	N/A		NOTE: THIS DRAWING IS AN OUTLINE DRAWING OF THE RESPECTIVE DMC PART NUMBER INDICATED. ACTUAL DMC PART NUMBER IS CAD PART NUMBER WITHOUT THE "-ENV" SUFFIX
DO NOT SCALE DRAWING				TITLE: POSITIONER (M22520/2-02) ENVELOPE DRAWING WHERE USED: AFM8 SIZE: B SCALE: 3:1 CAD P/N: K1S-ENV SHEET: 1 OF 1 DWG. NO.: K1S REV.: 3

Mouser Electronics

Authorized Distributor

Click to View Pricing, Inventory, Delivery & Lifecycle Information:

[Daniels Manufacturing:](#)

[K1S](#)