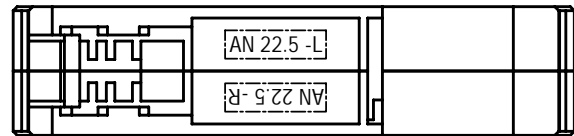
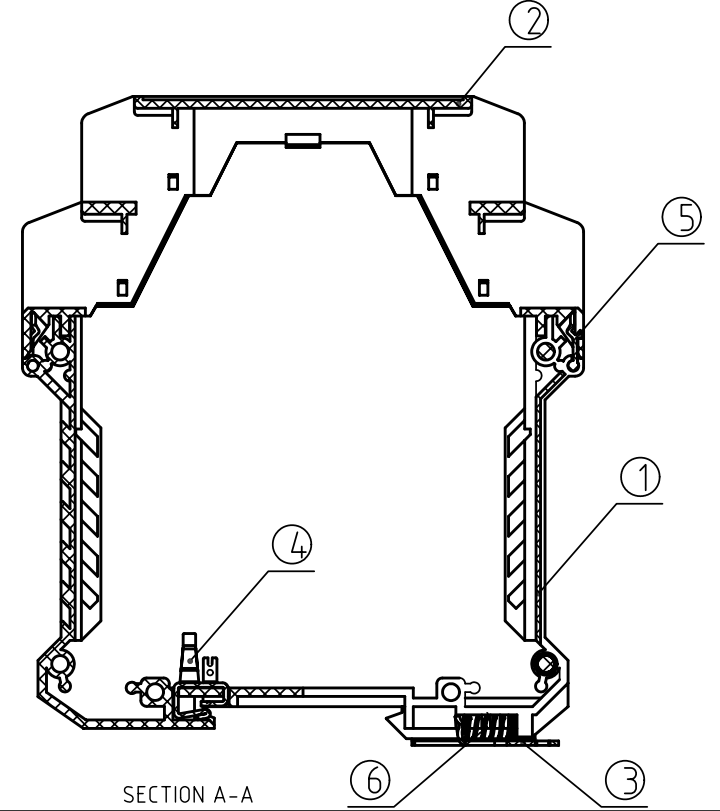
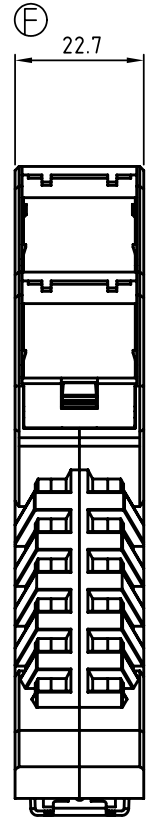
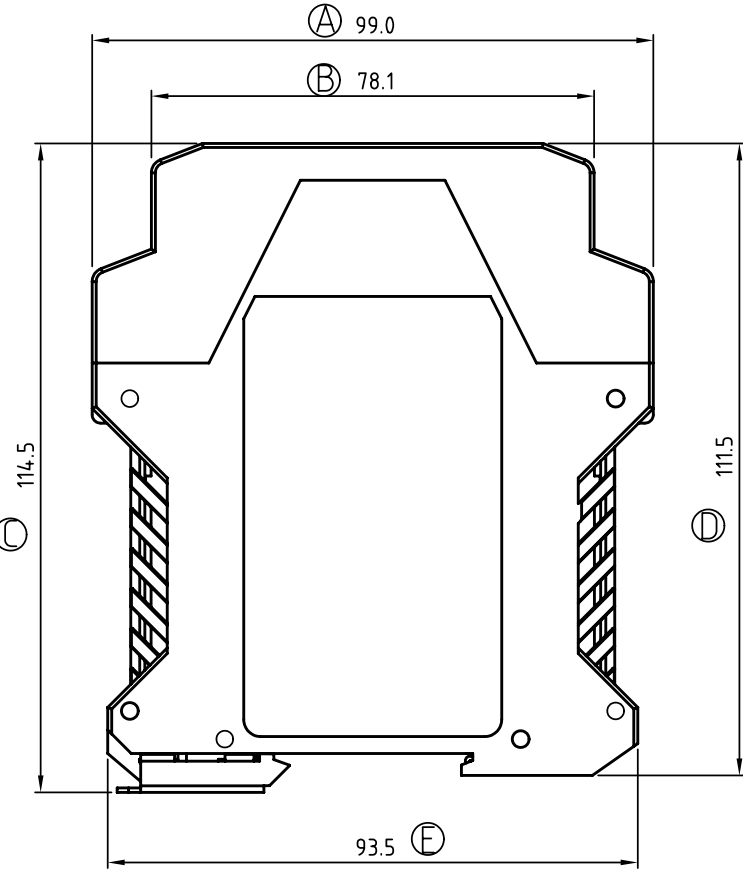
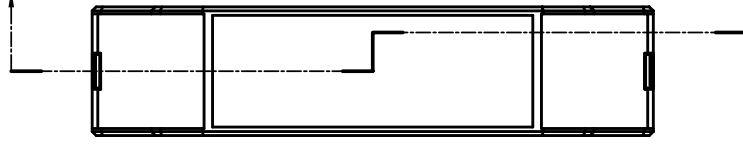


SIGN	DATE	DESCRIPTION	APPROVER
△	04/12/10	The mark position and PART NO. changed	Runner

THIS IS CAD DRAWING, DO NOT REVISE MANUALLY!!!

Material:

- Item 1: Terminal body Thermoplastic (UL94 V-0)
- Item 2: Terminal cover Thermoplastic (UL94 V-0)
- Item 3: Dinrail wire guard: Steel Zinc plated
- Item 4: Contacts: PhBz Tin plated
- Item 5: Terminal card Thermoplastic (UL94 V-0)
- Item 6: Spring: Stainless steel



ANYTEK

CUSTOMER COPY

ALL RIGHTS RESERVED. REPRODUCTION OR ISSUE TO THIRD PARTIES IN ANY FORM WHATSOEVER IS NOT PERMITTED WITHOUT WRITTEN AUTHORITY FROM THE PROPRIETOR. PROPERTY OF ANYTEK TECHNOLOGY CO., LTD

TITLE		AN series			
PART NO.	AN0000500000G	DWG NO.	8AN0001		
APPROVED	CHECKED	DESIGNED	DRAWN	CUST NO.	Tolerance
		Runner	Runner		X. ±0.50
		2010.04.12	2010.04.12		X.X ±0.30
					X.XX ±0.10
					X° ±1°
				UNIT: mm	
				SCALE: NOTE	
				SHEET: 01/01	REV.: C

△

Mouser Electronics

Authorized Distributor

Click to View Pricing, Inventory, Delivery & Lifecycle Information:

[Amphenol:](#)

[AN000050000G](#)